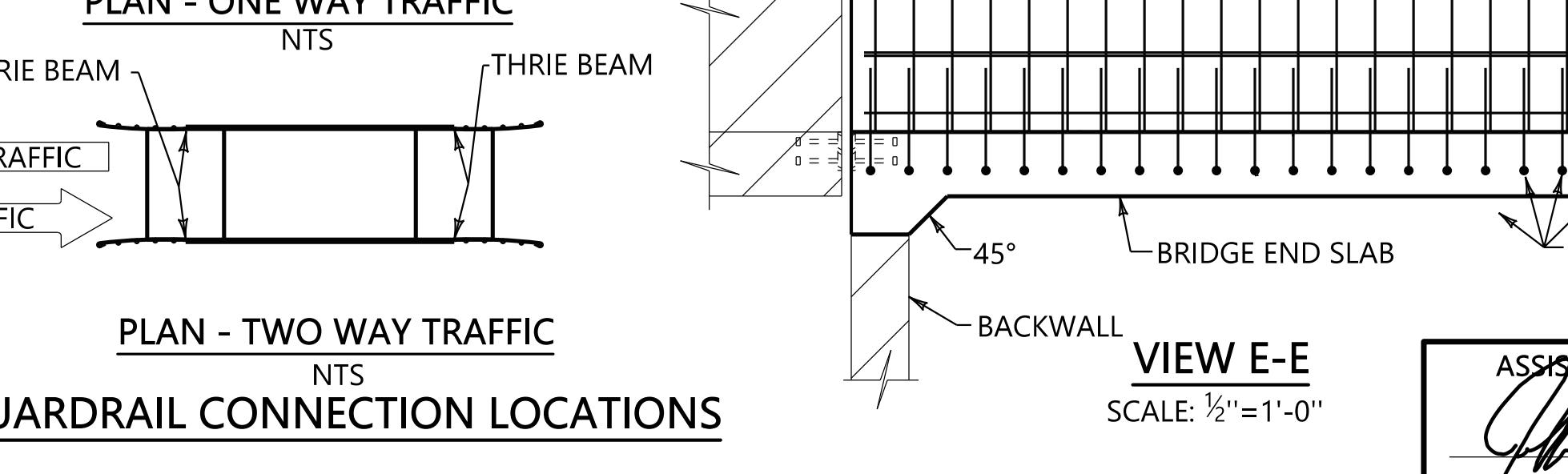
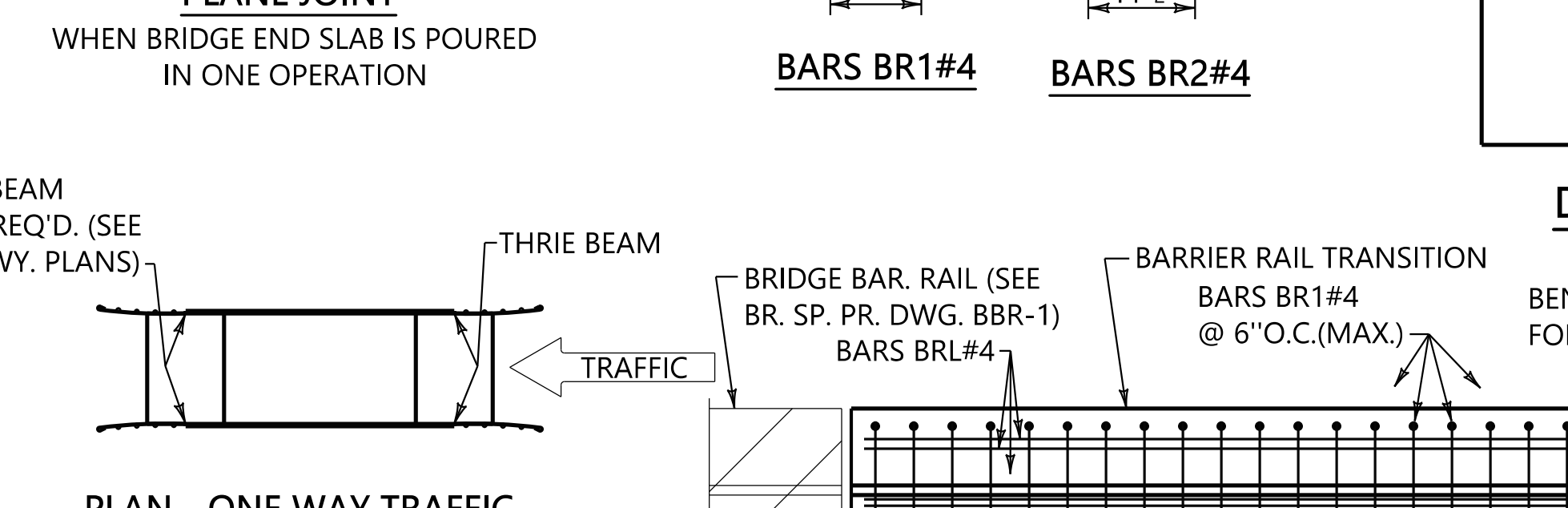
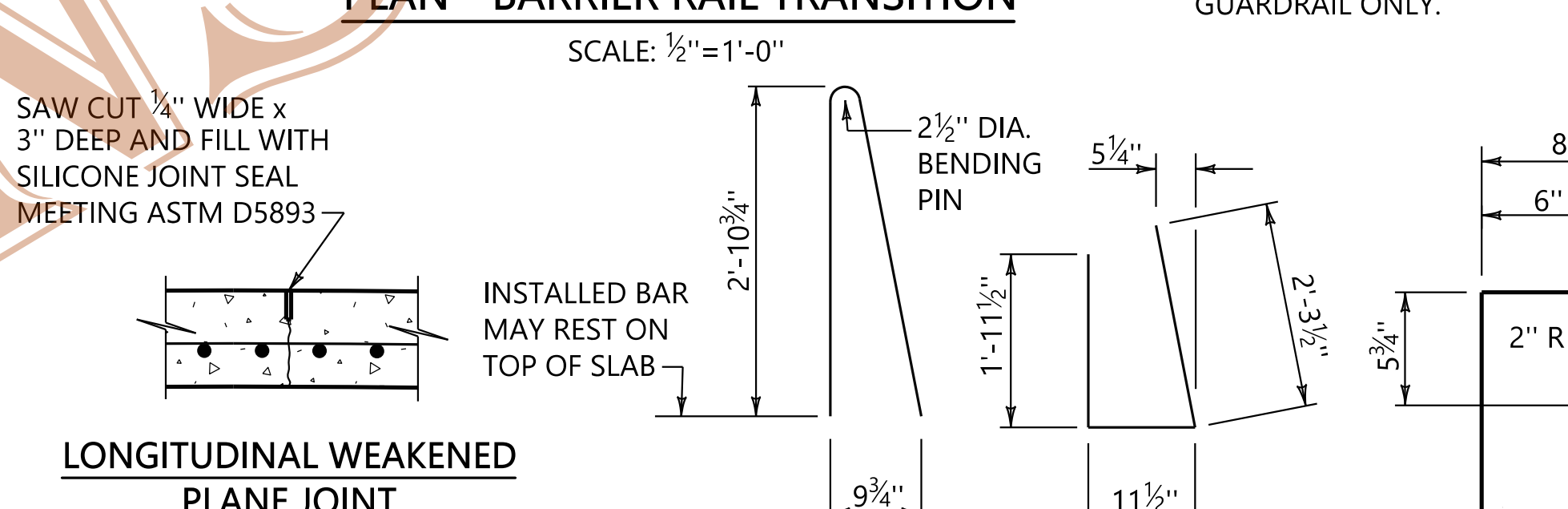
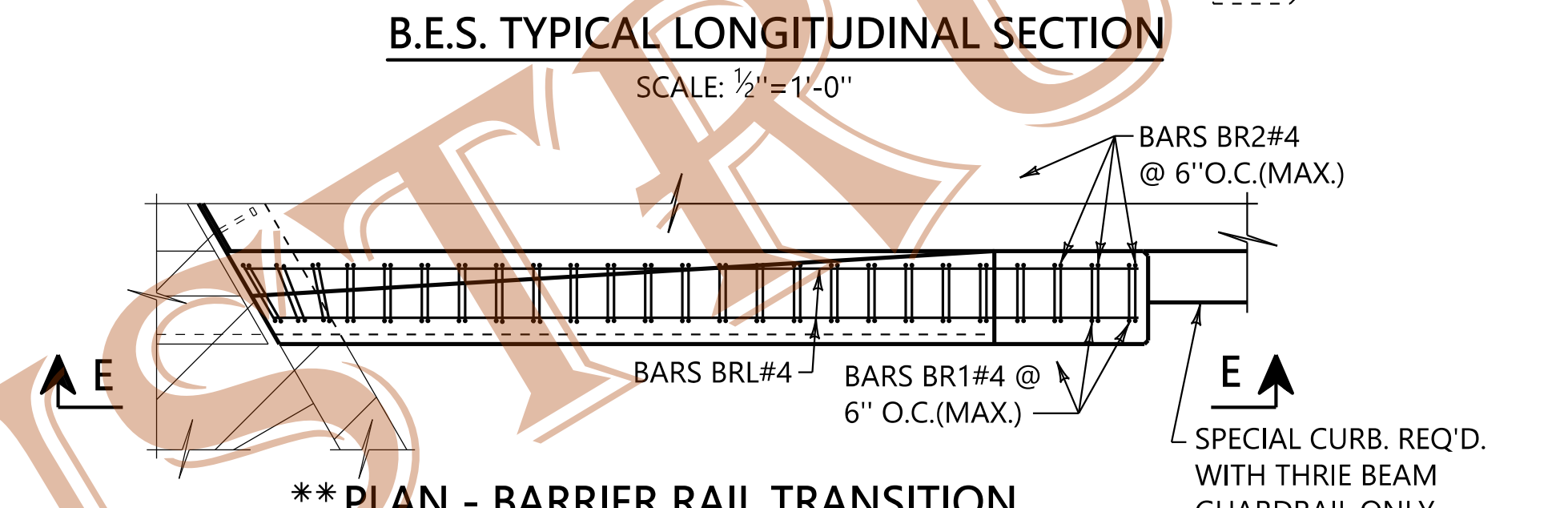
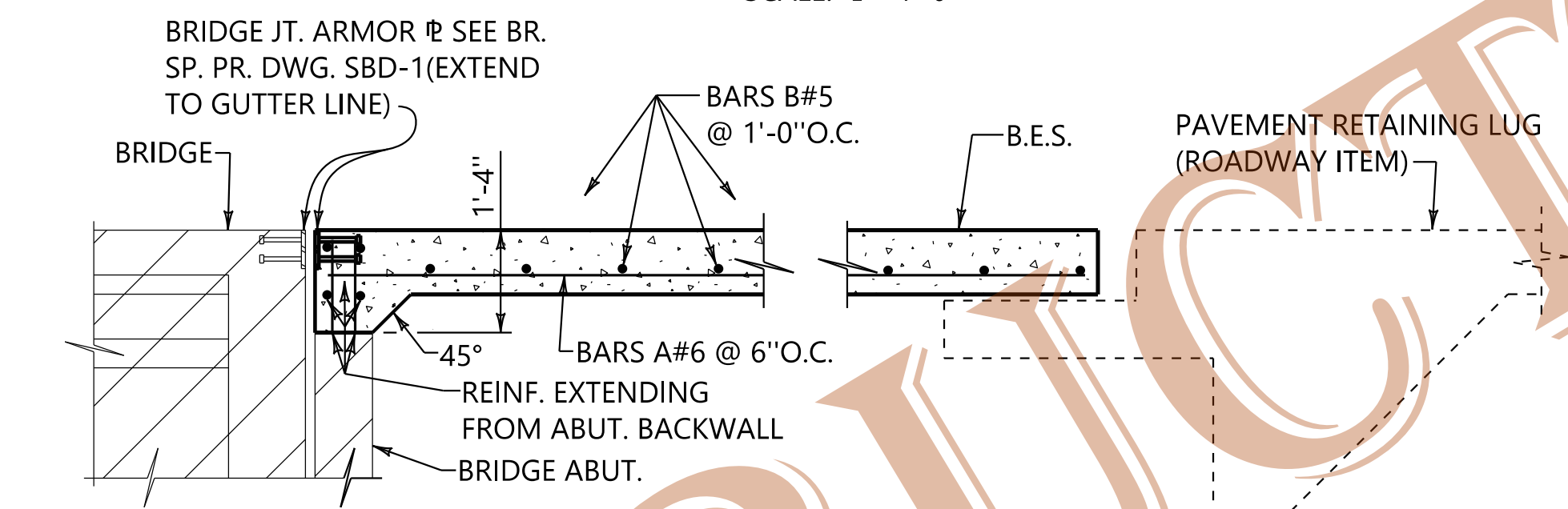
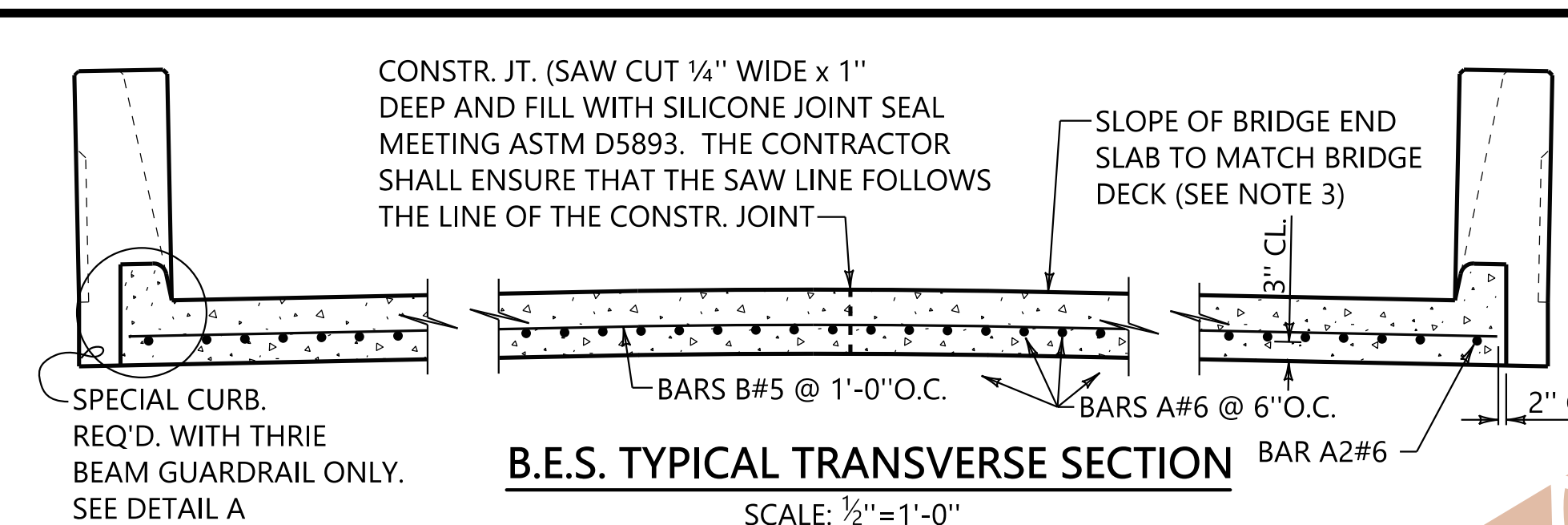
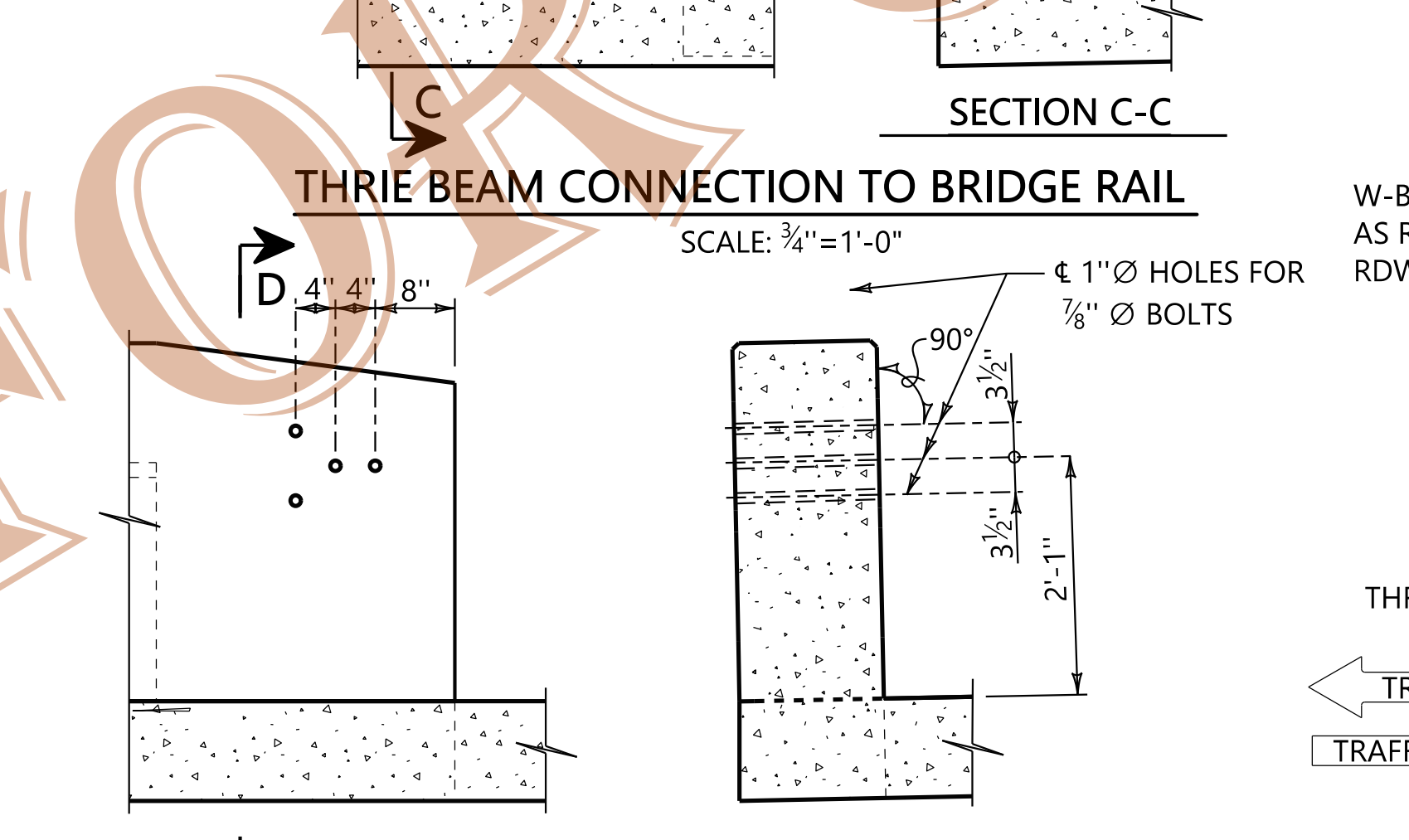
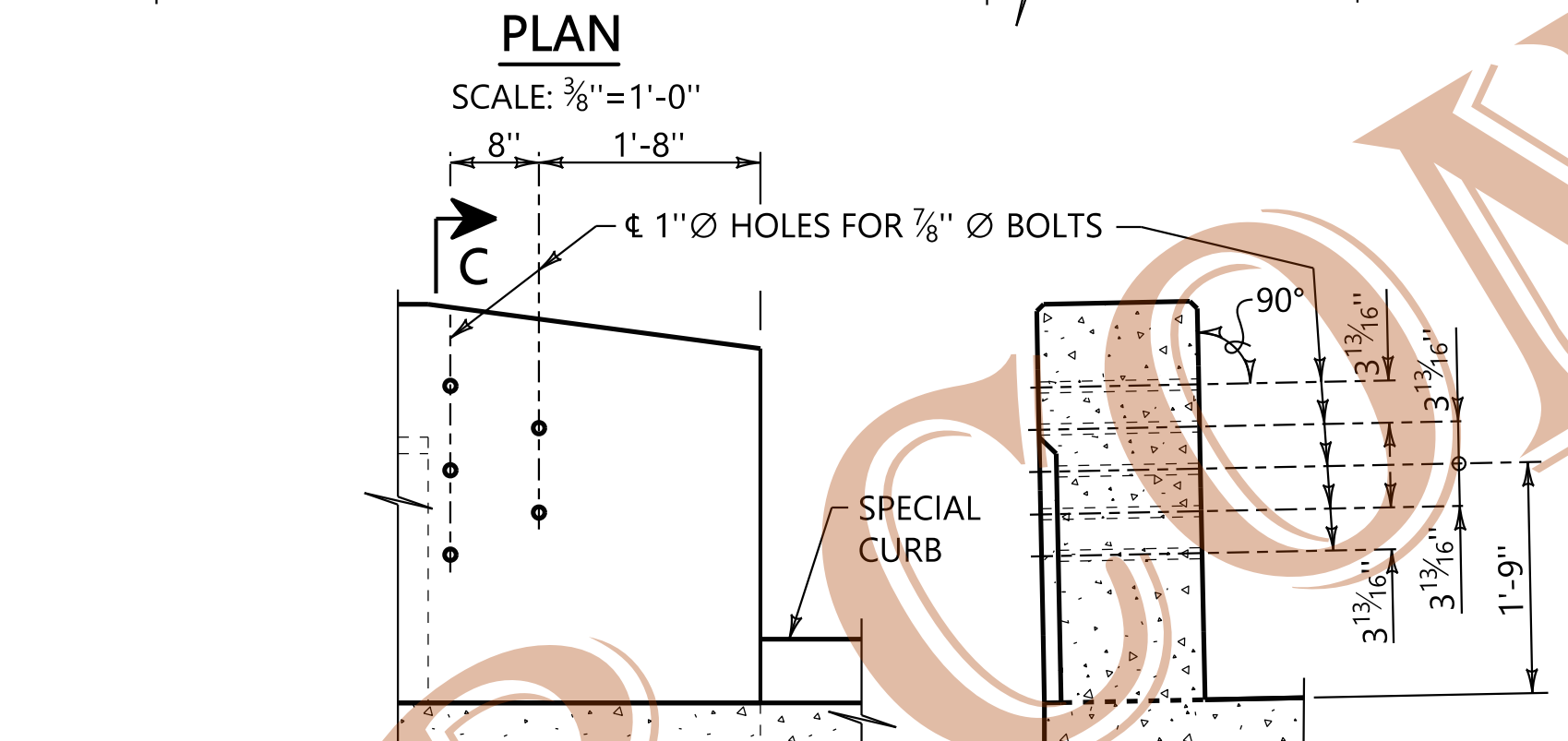
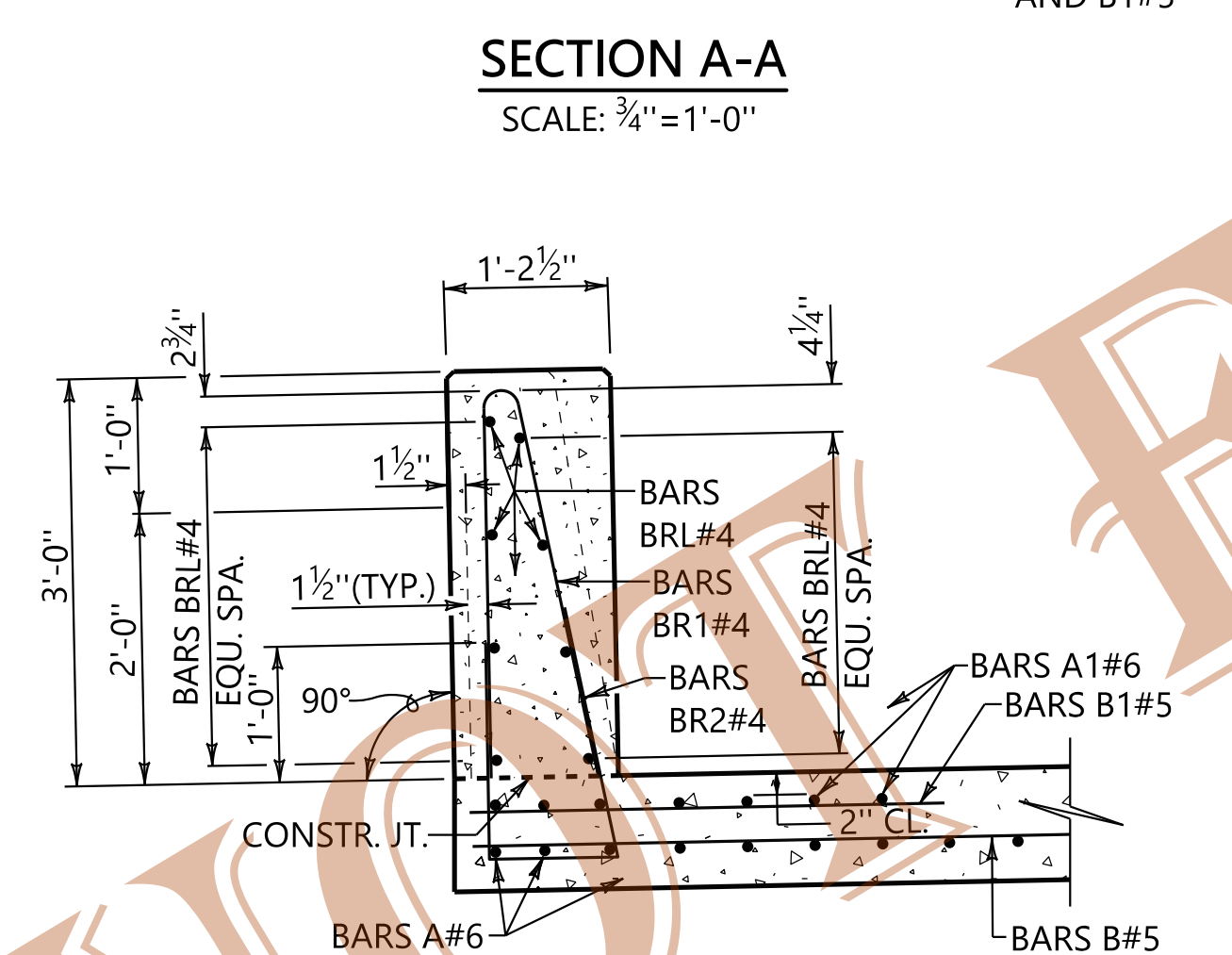
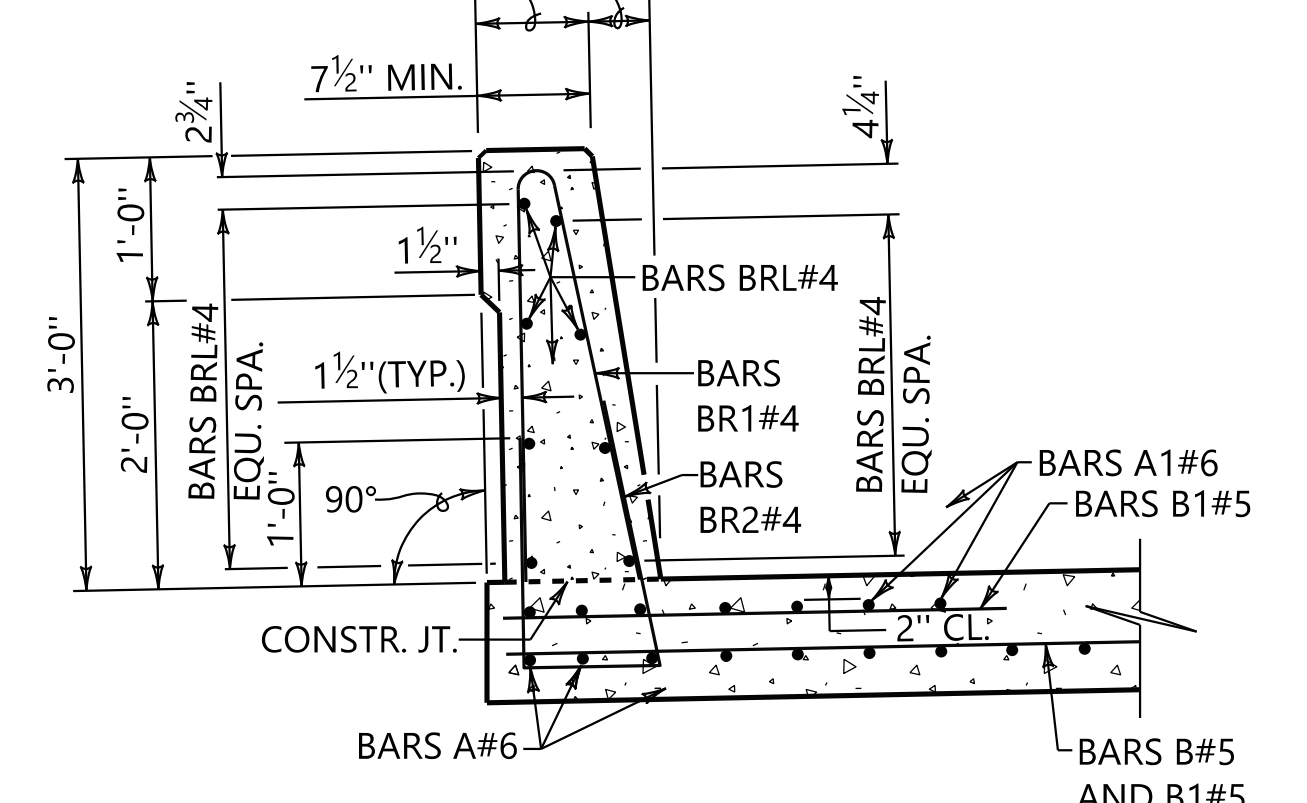
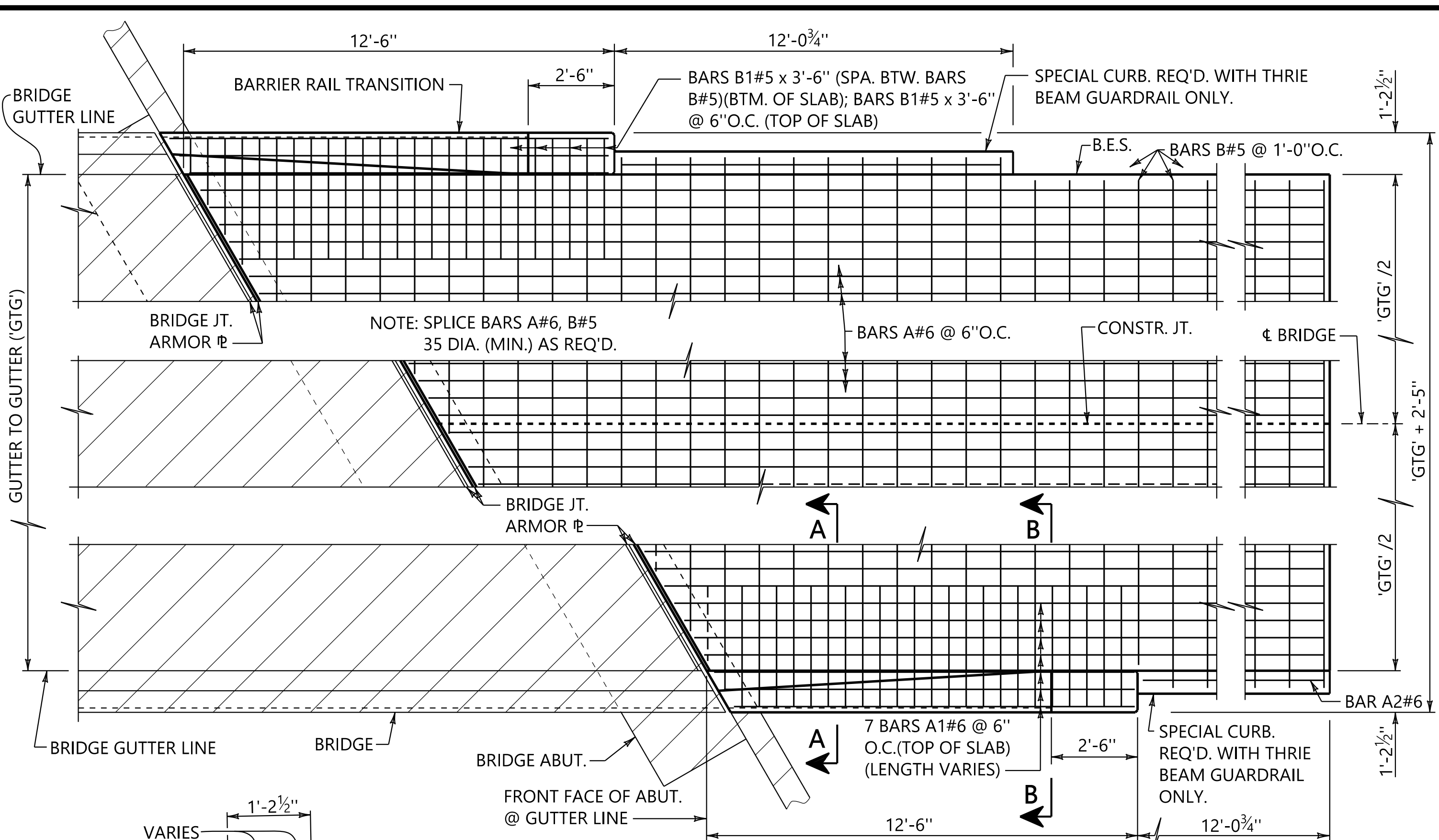


PLOTTED: 20-Nov-20 at 12:04  
 \\brvms002\Bridges\Standard\Special\Bridges\Special DGN Files\2021 DGN\3 Bridge End Slab with Barrier Rail Transition\BES-450(IJ)BP & CP Bridge End Slabs.dgn



- NOTES**
- PROVIDE A CONSTRUCTION JOINT AT THE BRIDGE FOR 2 LANE BRIDGES AS SHOWN. FOR BRIDGES WITH MORE THAN 2 LANES, MULTIPLE CONSTRUCTION JOINTS MAY BE PROVIDED TO COINCIDE WITH LANE LINES. AT THE OPTION OF THE CONTRACTOR, THE BRIDGE END SLAB MAY BE POURED IN A SINGLE POUR. IF THIS OPTION IS CHOSEN, LONGITUDINAL JOINTS SHALL BE SAWN IN THE SLAB TO COINCIDE WITH LANE LINES. JOINTS SHALL BE SEALED.
  - TRANSVERSE BARS B SHALL BE CONTINUOUS ACROSS JOINTS AND SLAB. WHEN FEASIBLE, USE ONE LENGTH OF BAR TO RUN ACROSS JOINTS AND SLAB, HOWEVER, WHERE IT IS NECESSARY TO USE MORE THAN ONE (1) LENGTH OF BAR, BARS SHALL BE SPLICED 30 DIAMETER MINIMUM.
  - IN THE EVENT THAT THE BRIDGE AND ROADWAY CROWN LINES DO NOT MATCH UP, THE FINISHED CROWN OF THE BRIDGE END SLAB SHALL CONFORM TO THE CROWN OF THE BRIDGE DECK AT THE END ADJACENT TO THE BRIDGE AND TO THE ROADWAY CROWN AT THE END ADJACENT TO THE PAVEMENT. THE CROWN SHALL VARY UNIFORMLY.
  - CONCRETE THICKNESS FOR SKEWED SLABS SHALL BE AS FOLLOWS: 0° TO 15°, 10" THICK; 15° TO 33° SKEW, 10" TO 11" THICK; 33° TO 45° SKEW, 10" TO 14" THICK; GREATER THAN 45°, 10" TO 14" THICK. SLABS SHALL INCREASE IN THICKNESS ON LONG SIDE. THICKNESS SHALL VARY TRANSVERSALLY FROM LONG SIDE TO SHORT SIDE IN A UNIFORM MANNER.
  - COST OF BRIDGE JOINT ARMOR PLATES SHALL BE INCLUDED IN PAY ITEM 508A, LBS., STRUCTURAL STEEL. SHOP DRAWINGS PER THE STANDARD SPECIFICATIONS ARE REQUIRED.
  - COST OF CONCRETE AND STEEL REINFORCEMENT IN BRIDGE END SLAB, TYPE SPECIAL CURB AND BARRIER RAIL TRANSITION SHALL BE INCLUDED IN THE PAY ITEM 450B, SQUARE YARDS, REINFORCED CEMENT CONCRETE BRIDGE END SLAB. CONCRETE SHALL BE CLASS B.
  - VARIES 1'-5 1/2" (MINIMUM) TO 1'-9 1/2" (SEE NOTE 4)
  - FAN BARS IN END AS REQUIRED TO FIT SKEW IN BARRIER RAIL TRANSITION.
- ASSISTANT BRIDGE ENGINEER: *[Signature]* 11/20/2020  
 BRIDGE ENGINEER: *[Signature]* 11/20/2020

REVISIONS
1. Deleted guardrail anchor details; added thrie beam and w-beam connection detail; added Type Special Curb; deleted Bars BR3 and revised reinforcing; revised notes. WTC 10/2020

THIS BRIDGE SPECIAL PROJECT DRAWING FOR USE ONLY ON:  
 PROJECT NO. \_\_\_\_\_  
 COUNTY(S) \_\_\_\_\_

THESE DRAWINGS REPRESENT DESIGNS PREPARED FOR USE BY THE ALABAMA DEPARTMENT OF TRANSPORTATION AND ARE NOT TO BE COPIED, REPRODUCED, ALTERED, OR USED BY ANYONE, OR ANY ORGANIZATION, WITHOUT THE EXPRESSED WRITTEN CONSENT OF THE ALABAMA DEPARTMENT OF TRANSPORTATION REPRESENTATIVE AUTHORIZED TO APPROVE SUCH USE. ANYONE MAKING UNAUTHORIZED USE OF THESE DRAWINGS MAY BE PROSECUTED TO THE FULLEST EXTENT OF THE LAW.

REINFORCED CONCRETE BRIDGE END SLAB WITH BARRIER RAIL TRANSITION (BRIDGE JOINT INSIDE ABUTMENT WALL) FOR USE WITH CONCRETE PAVEMENT