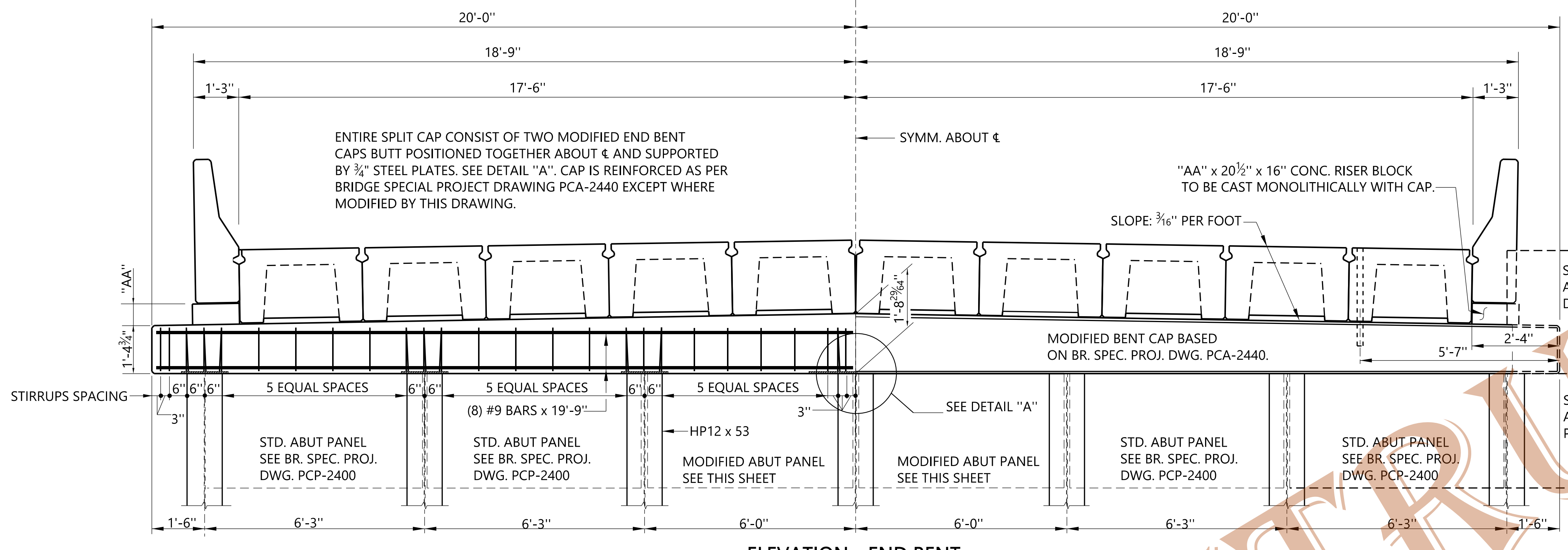


2'
1"
0

\\brvms002\Bridges\Standards\Special\Bridges\Special DGN Files\2022 DGN\Precast\PCAB3540.dgn

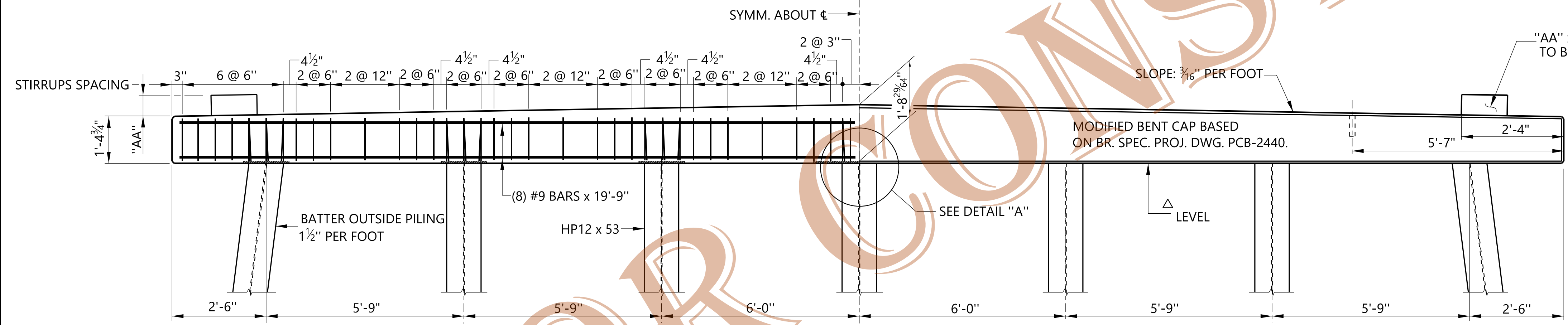
PLOTTED: 27-Dec-21 at 10:50



ELEVATION - END BENT

SCALE: $\frac{1}{2}$ " = 1'-0"

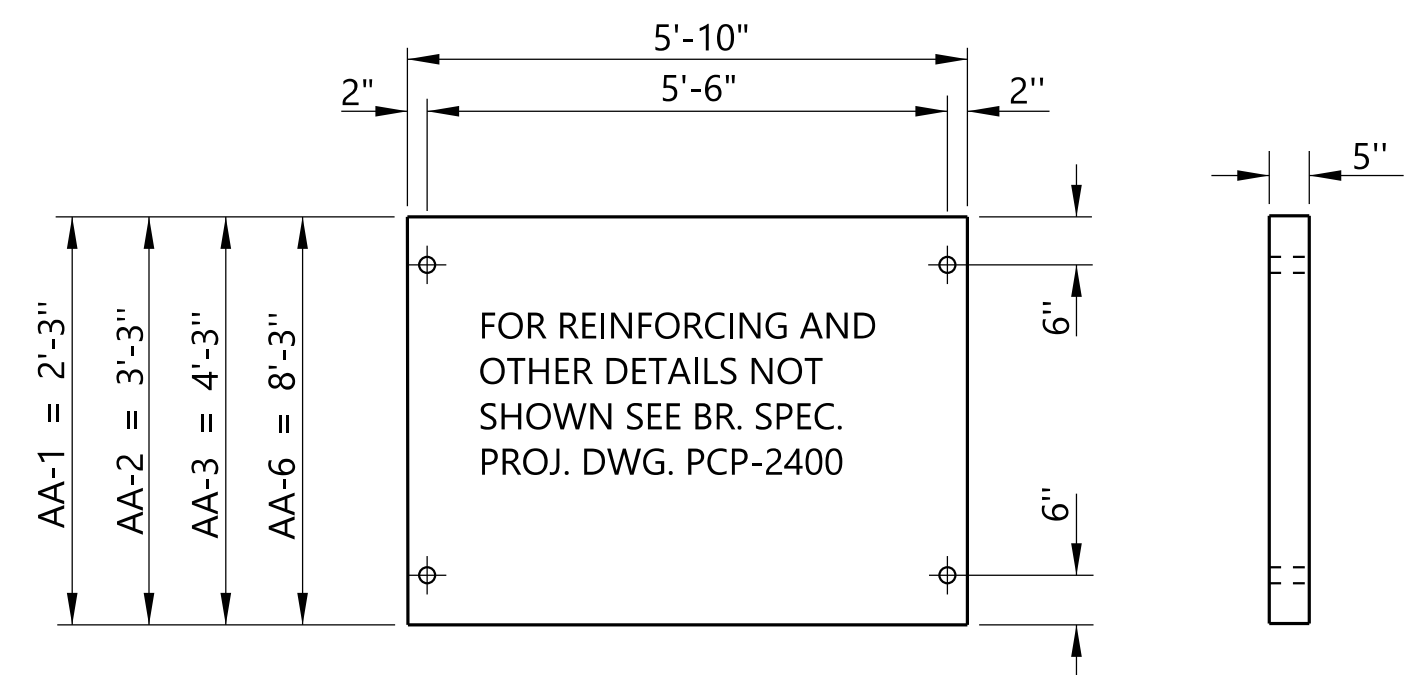
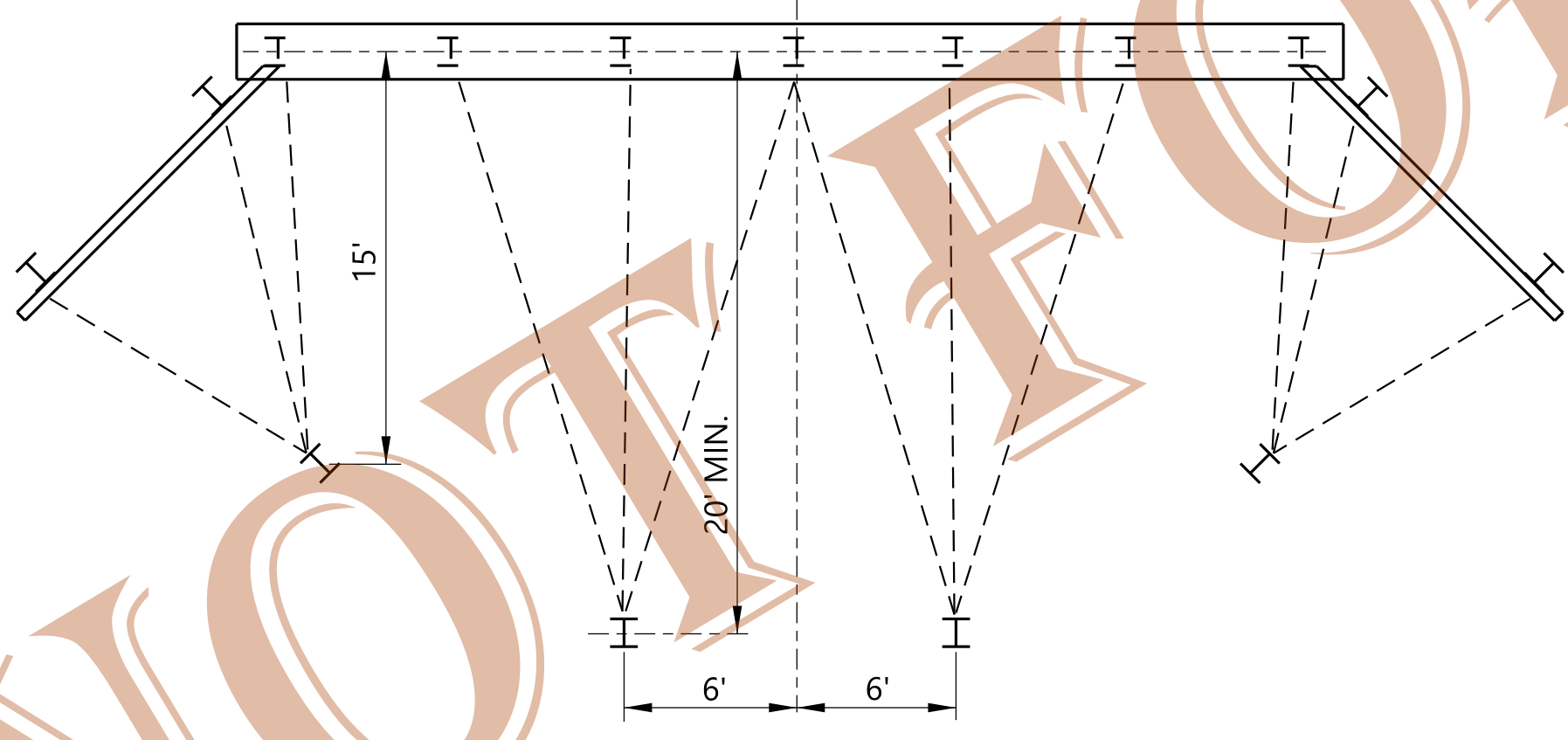
ENTIRE SPLIT CAP CONSIST OF TWO MODIFIED INTERMEDIATE BENT CAPS BUTT POSITIONED TOGETHER ABOUT ϵ AND SUPPORTED BY $\frac{3}{4}$ " STEEL PLATES. SEE DETAIL "A".



ELEVATION - INTERMEDIATE BENT

SCALE: $\frac{1}{2}$ " = 1'-0"

SPAN	"AA"	"BB"	THE FOLLOWING BR. SPEC. PROJ. DWGS. APPLY:
24'	NA	3'-3"	PC-24, PCBR-1(24)
34'	4"	3'-3"	PC-34-2, PCBR-1(34)
40'	7"	3'-6"	PC-40, PCBR-1(40)

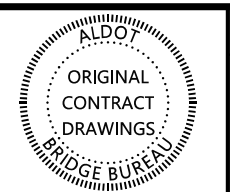


MODIFIED ABUTMENT PANEL

SCALE: $\frac{1}{2}$ " = 1'-0"

NOTE: THIS SHEET SHOWS DETAILS NECESSARY FOR MODIFYING ABUTMENT AND INTERMEDIATE BENT CAPS AS DETAILED ON BR. SPEC. PROJ. DWGS. PCA-2440 & PCB-2440 TO FIT A 35' ROADWAY CONDITION. TWO MODIFIED CAP SECTIONS ARE REQUIRED FOR EACH 35' ROADWAY CAP. ABUTMENT PANELS AS DETAILED ON STANDARDS CAN BE USED ON WINGS AND FRONT PANELS EXCEPT IN THE CENTER WHERE MODIFIED PANELS WILL BE REQUIRED. SEE SPECIAL DETAILS ON THIS SHEET.

△ CAPS SHALL BE ERECTED SO THAT THE BOTTOM OF THE CAP IS LEVEL ALONG THE ROADWAY AND PERPENDICULAR TO THE ROADWAY. THE ACCEPTABLE ERECTION TOLERANCE (SLOPE ON BOTTOM OF CAP) SHALL BE $\frac{1}{16}$ " PER FOOT ALONG THE ROADWAY AND $\frac{1}{16}$ " PER FOOT PERPENDICULAR TO THE ROADWAY. CAPS ERECTED OUTSIDE THIS TOLERANCE SHALL BE CORRECTED TO THE SATISFACTION OF THE ENGINEER AT NO ADDITIONAL COST TO THE PROJECT.



REVISIONS

THIS BRIDGE SPECIAL PROJECT DRAWING FOR USE ONLY ON:
PROJECT NO. _____
COUNTY(S) _____

THESE DRAWINGS REPRESENT DESIGNS PREPARED FOR USE BY THE ALABAMA DEPARTMENT OF TRANSPORTATION AND ARE NOT TO BE COPIED, REPRODUCED, ALTERED, OR USED BY ANYONE, OR ANY ORGANIZATION, WITHOUT THE EXPRESSED WRITTEN CONSENT OF THE ALABAMA DEPARTMENT OF TRANSPORTATION REPRESENTATIVE AUTHORIZED TO APPROVE SUCH USE. ANYONE MAKING UNAUTHORIZED USE OF THESE DRAWINGS MAY BE PROSECUTED TO THE FULLEST EXTENT OF THE LAW.

ADAPTATION FOR PRECAST END BENT CAPS, BENT CAPS AND ABUTMENT PANELS FOR USE WITH PRECAST CONCRETE BRIDGE SLABS 24'-0", 34'-0" OR 40'-0" SPANS 35'-0" CLEAR ROADWAY

ASSISTANT BRIDGE ENGINEER <i>[Signature]</i> DATE: 1/6/22	BRIDGE ENGINEER <i>[Signature]</i> DATE: 1/7/2022
BRIDGE SPECIAL PROJECT DRAWING	
PCAB-3540	
SHEET 1 OF 1	