

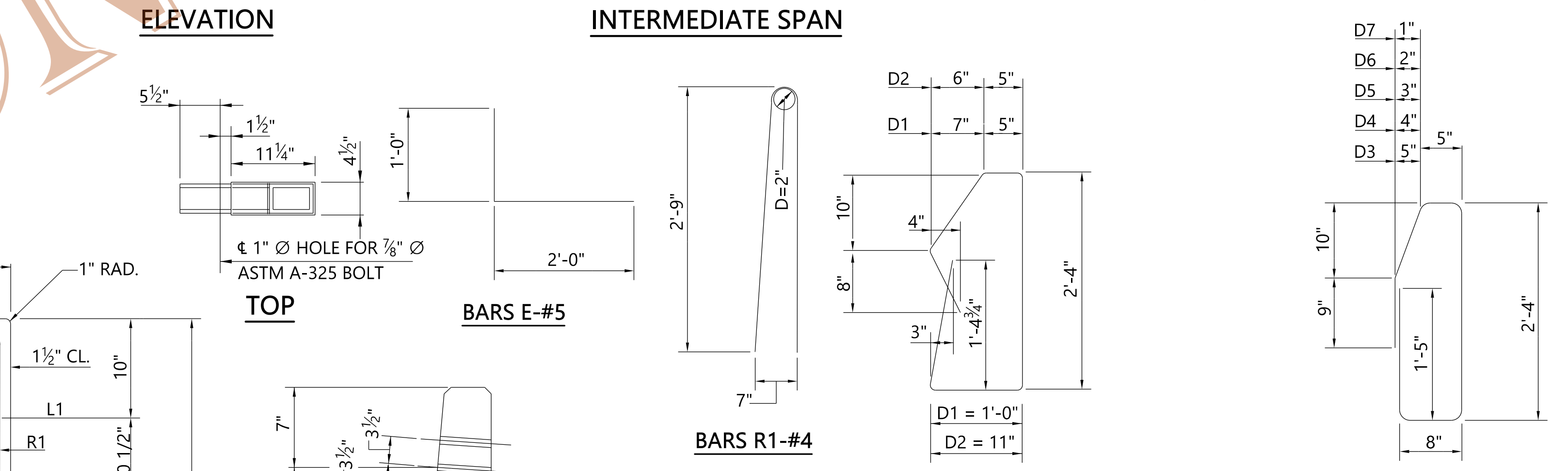
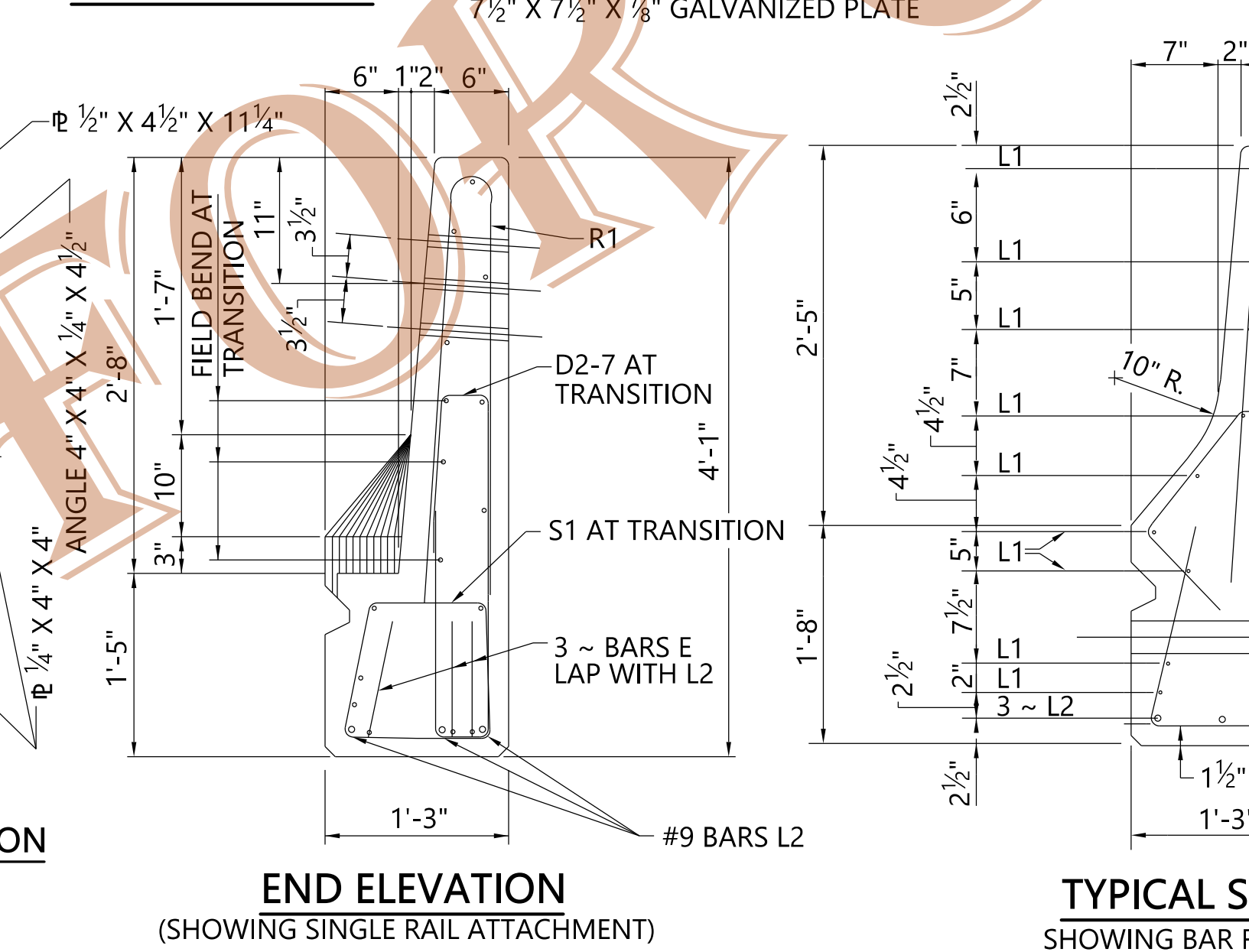
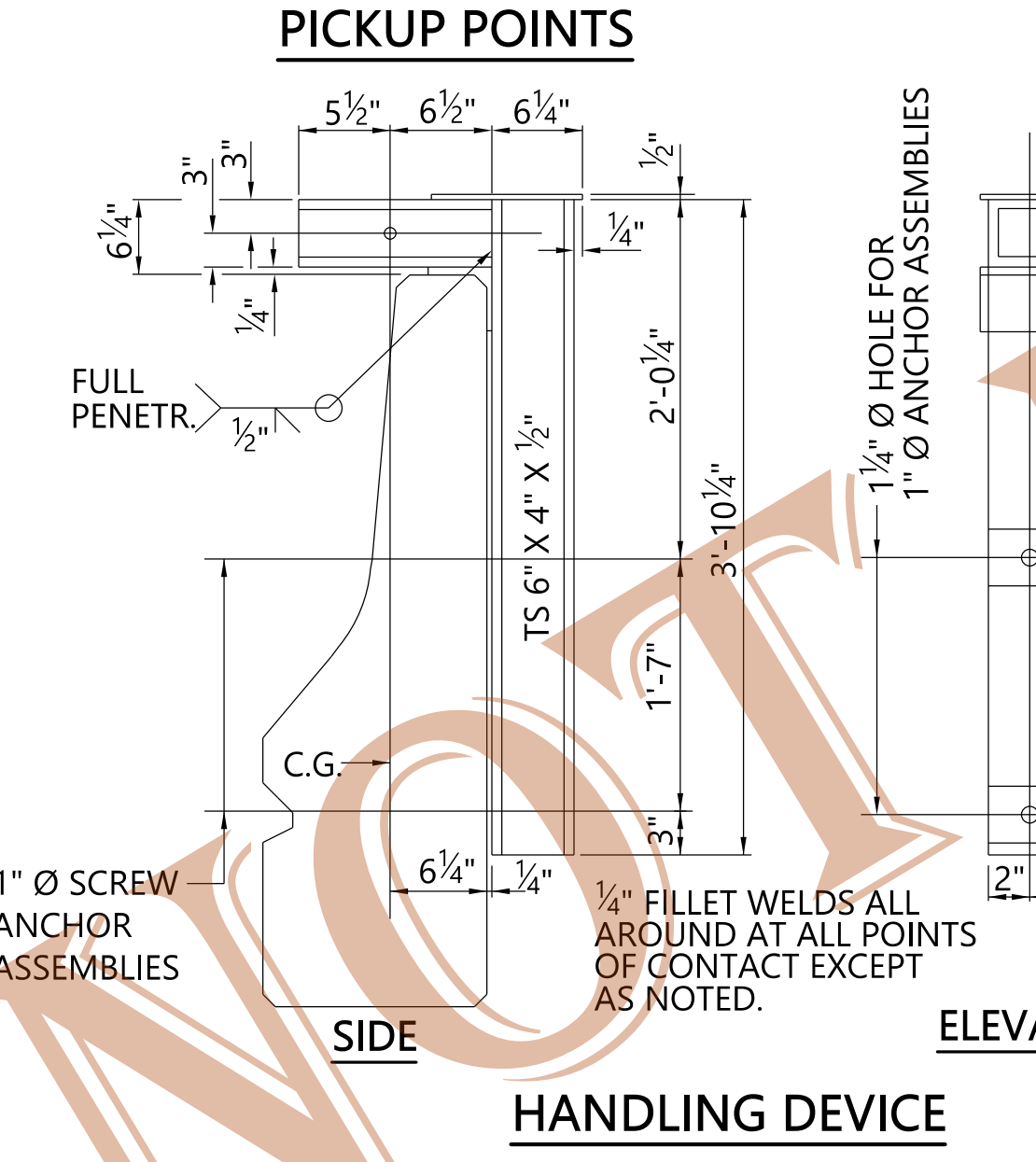
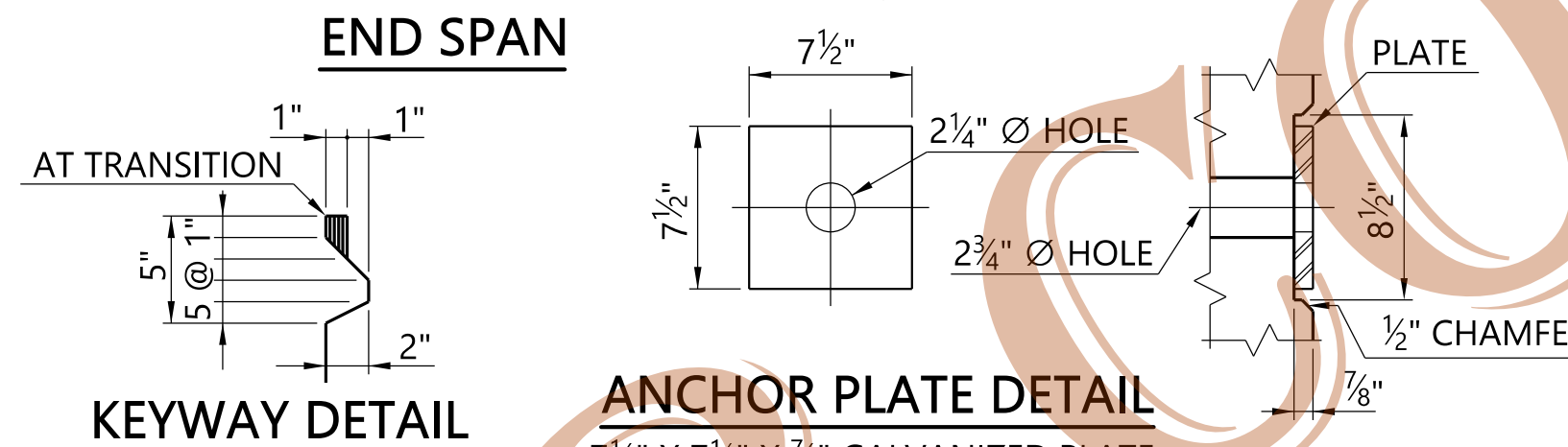
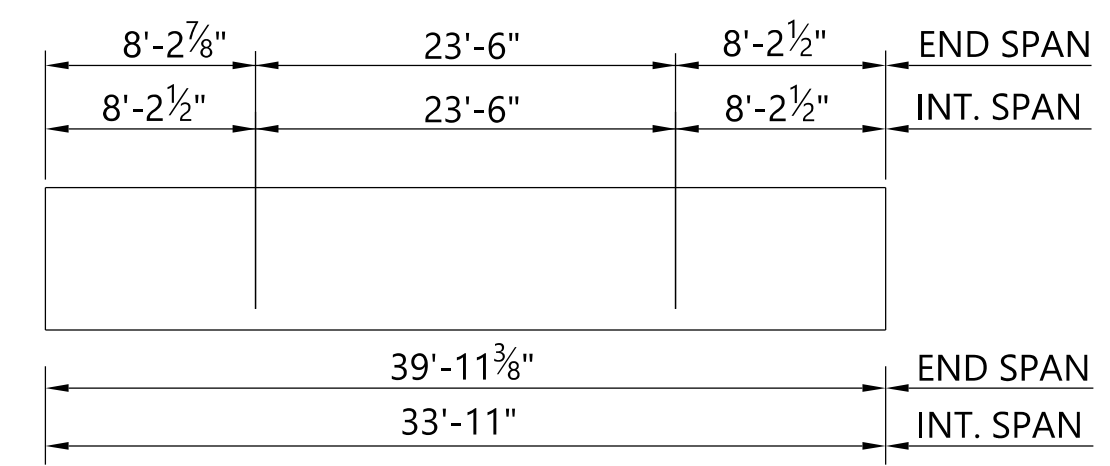
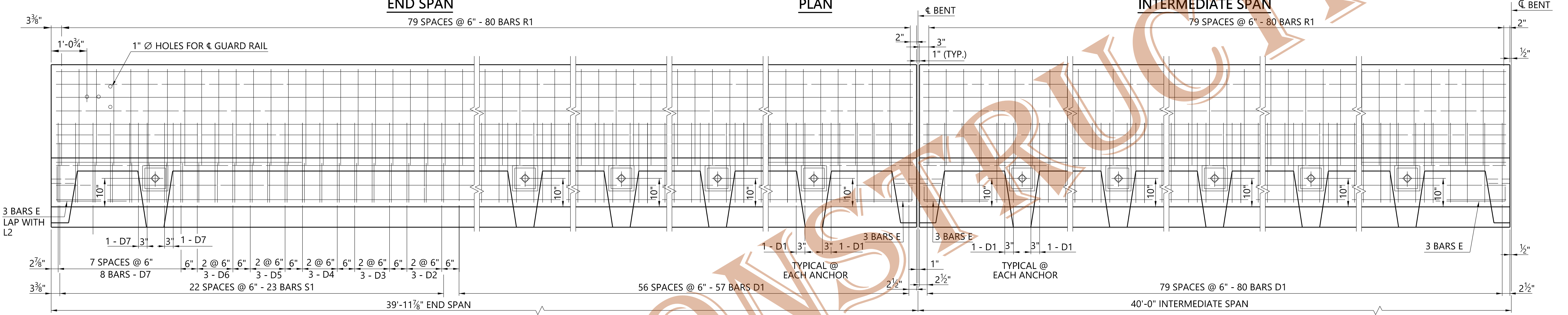
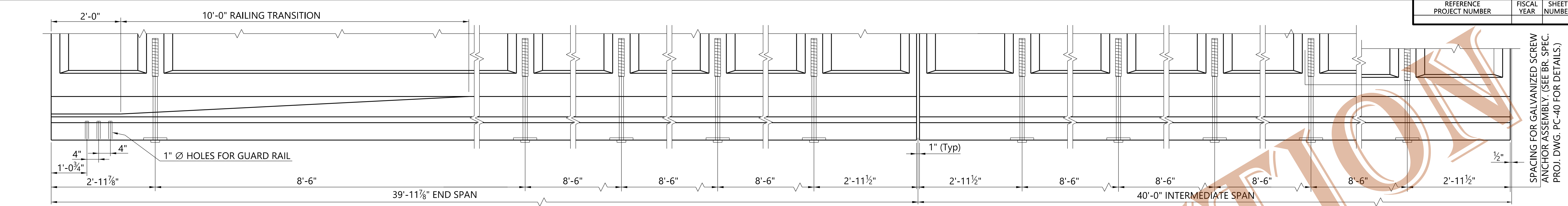
2'
1"
0

\\bnvms002\Bridges\StandardSpecial\Bridges\Special DGN Files\2022 DGN\Precast\PCBR1_40.dgn

PLOTTED: 27-Dec-21 at 11:13

| | | |
|--------------------------|-------------|--------------|
| REFERENCE PROJECT NUMBER | FISCAL YEAR | SHEET NUMBER |
|--------------------------|-------------|--------------|

SPACING FOR GALVANIZED SCREW ANCHOR ASSEMBLY. (SEE BR. SPEC PROJ. DWG. PC-40 FOR DETAILS.)



ALABAMA DEPARTMENT OF TRANSPORTATION

| REVISIONS |
|-----------|
| |

THIS BRIDGE SPECIAL PROJECT DRAWING FOR USE ONLY ON:
PROJECT NO. _____
COUNTY(S) _____

THESE DRAWINGS REPRESENT DESIGNS PREPARED FOR USE BY THE ALABAMA DEPARTMENT OF TRANSPORTATION AND ARE NOT TO BE COPIED, REPRODUCED, ALTERED, OR USED BY ANYONE, OR ANY ORGANIZATION, WITHOUT THE EXPRESSED WRITTEN CONSENT OF THE ALABAMA DEPARTMENT OF TRANSPORTATION REPRESENTATIVE AUTHORIZED TO APPROVE SUCH USE. ANYONE MAKING UNAUTHORIZED USE OF THESE DRAWINGS MAY BE PROSECUTED TO THE FULLEST EXTENT OF THE LAW.

40 FT. PRECAST CONCRETE SOLID TYPE BARRIER RAIL

| | | |
|--------------------------------|--|--------------|
| BRIDGE SPECIAL PROJECT DRAWING | | SHEET 1 OF 1 |
| PCBR-1(40) | | |

GENERAL NOTES

SPECIFICATIONS: ALABAMA DEPARTMENT OF TRANSPORTATION STANDARD SPECIFICATIONS FOR HIGHWAYS AND BRIDGES, CURRENT.

PRECAST BARRIER RAIL UNITS: PRECAST BARRIER RAIL UNITS SHALL CONFORM TO SECTION 512 OF THE STANDARD SPECIFICATIONS. BARS TYPE L SHALL BE GRADE 60 STEEL.

DESIGN LOADING: AASHTO HS 20-44

SURFACE FINISH: EXPOSED SURFACES OF THE PRECAST BARRIER RAIL UNITS SHALL RECEIVE A CLASS 3 SURFACE FINISH IN ACCORDANCE WITH THE PROVISIONS OF ITEM 501.03(L)4.

| | |
|---|---|
| ASSISTANT BRIDGE ENGINEER <i>[Signature]</i> 1/16/22 DATE | BRIDGE ENGINEER <i>[Signature]</i> 1/16/22 DATE |
|---|---|