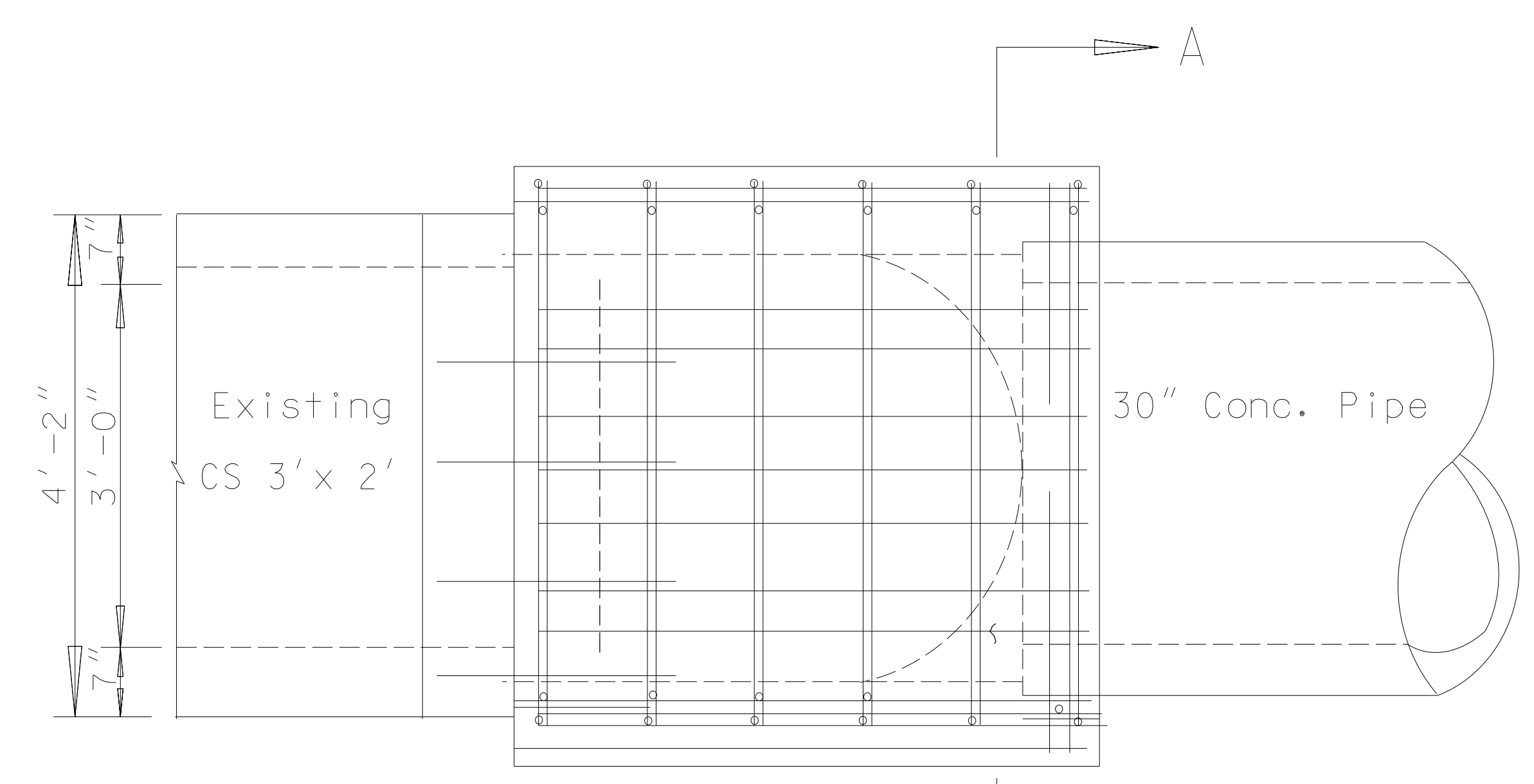
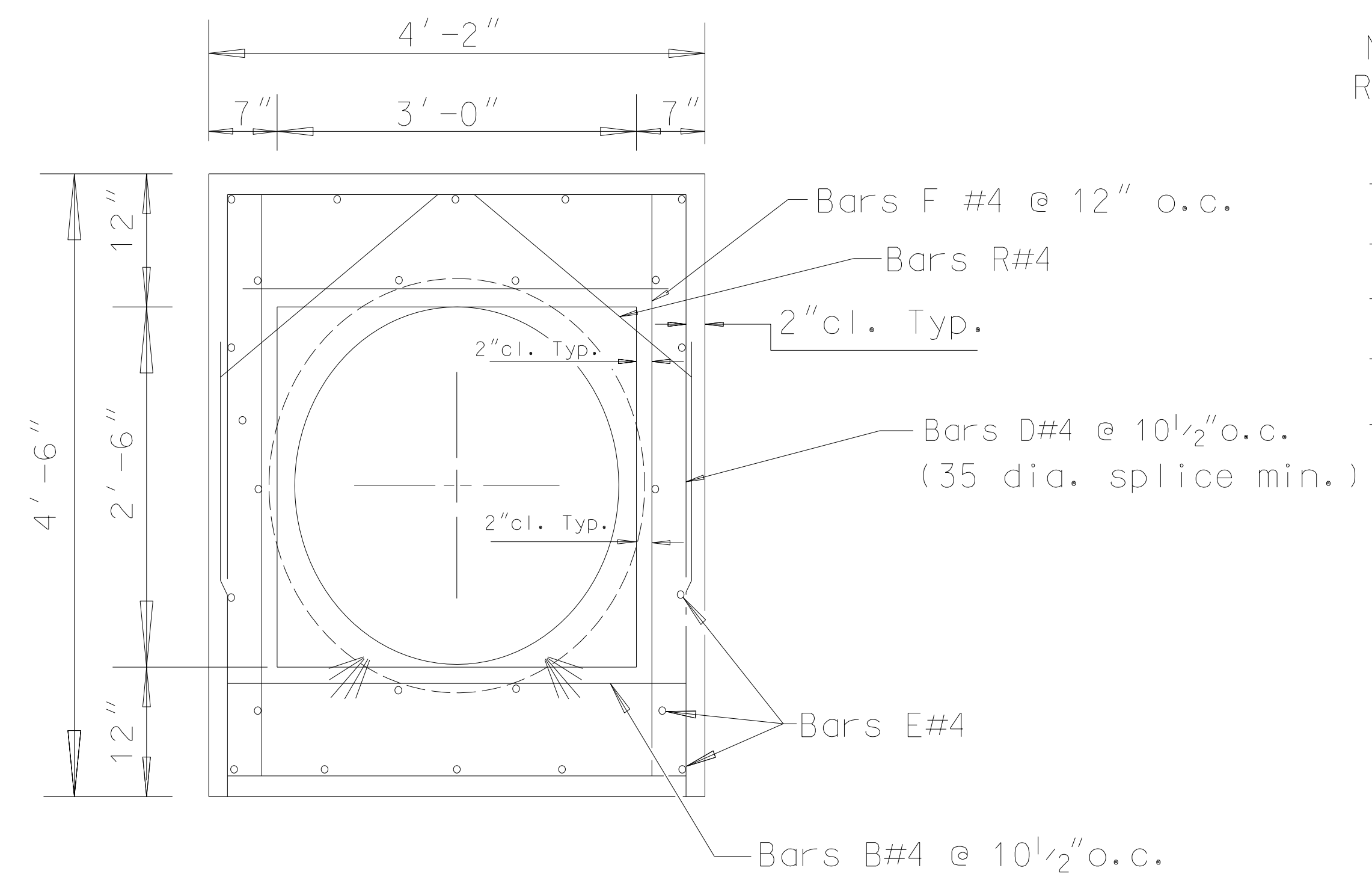


Note: Cut Reinf. In The Field To Provide 2" cl. For Pipe Entrance In Wall.

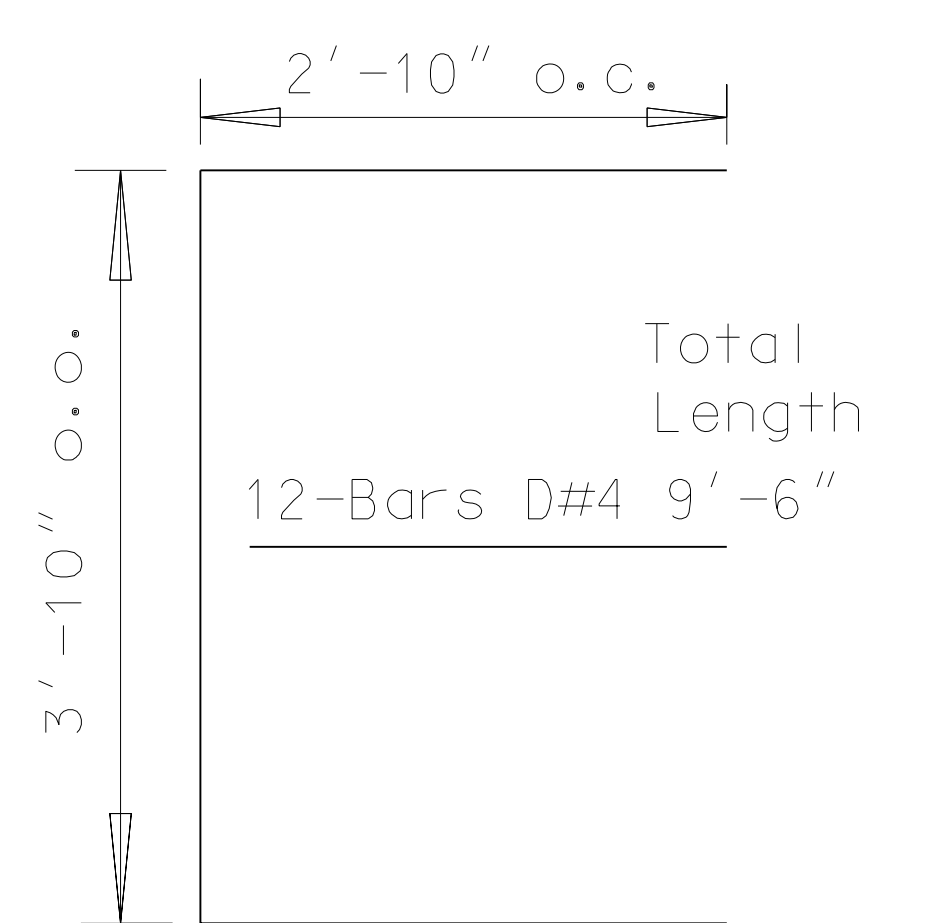


PLAN VIEW



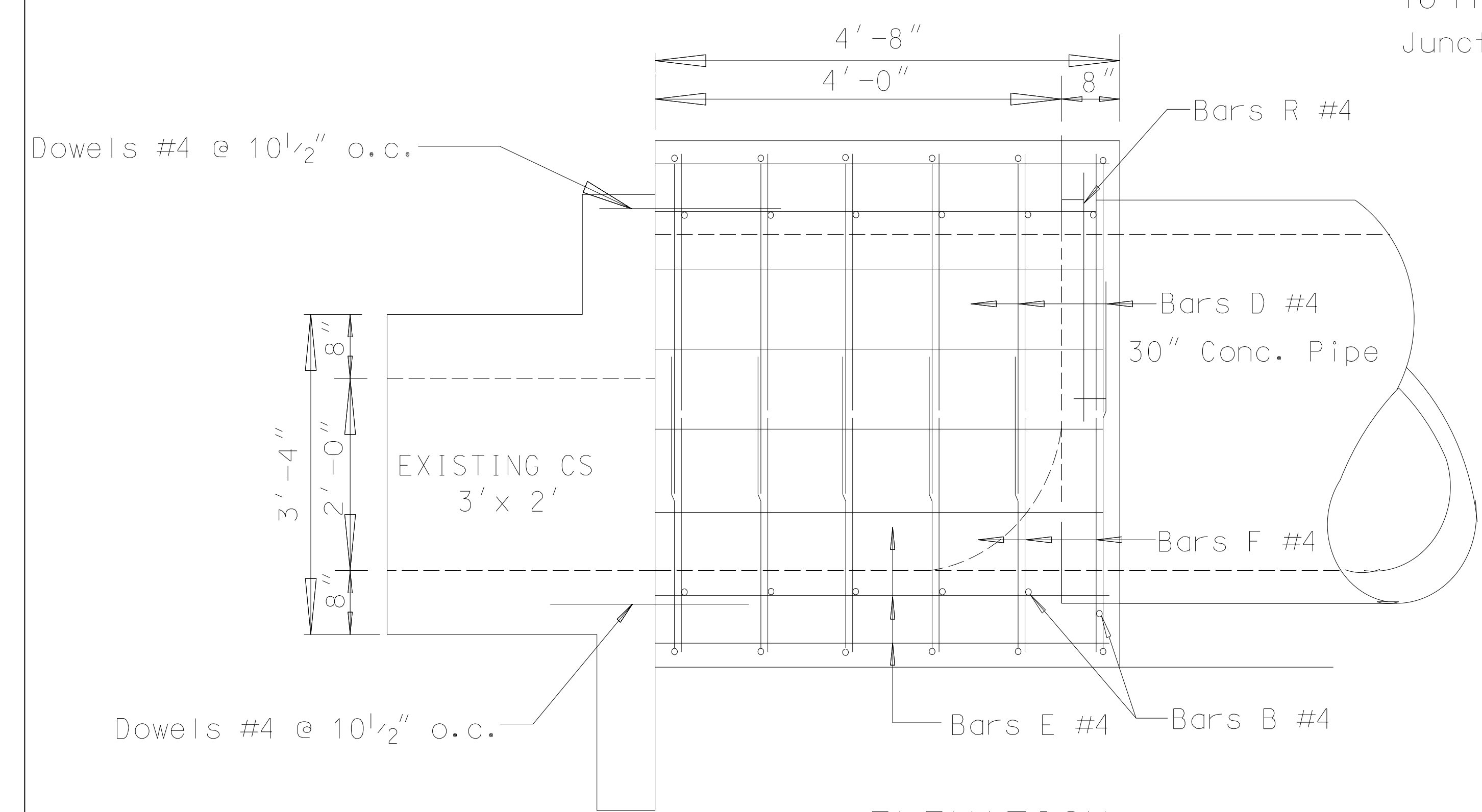
SECTION A-A

No. Req'd.	Description	Length
12	Bars B#4	3'-10"
24	Bars E#4	4'-4"
10	Bars F#4	4'-2"
2	Bars R#4	2'-3"
10	Dowels#4	2'-0"



Note: Remove That Portion Of Existing Wings To Permit New Conc. Bend Old Reinf. 1'-6" Into New Const. Cost included in Junction Box price bid.

Conc. To Be Shaped By Hand To Provide Transition From Junction Box To Pipe.



ELEVATION

ESTIMATED QUANTITIES

- 2.0 — Cu. Yds. Concrete
- 220 — Lbs. Steel Reinforcement

--SPECIFICATIONS--
CURRENT ALABAMA DEPARTMENT OF TRANSPORTATION

<p>THIS DRAWING REPRESENTS DESIGNS PREPARED FOR USE BY THE ALABAMA DEPARTMENT OF TRANSPORTATION AND IS NOT TO BE COPIED, REPRODUCED, ALTERED, OR USED BY ANYONE, OR ANY ORGANIZATION, WITHOUT THE EXPRESSED WRITTEN CONSENT OF THE ALABAMA DEPARTMENT OF TRANSPORTATION REPRESENTATIVE AUTHORIZED TO APPROVE THIS USE. ANYONE MAKING UNAUTHORIZED USE OF THIS DRAWING MAY BE PROSECUTED TO THE FULLEST EXTENT OF THE LAW.</p>	
<p>REVISIONS 1. Entered into CADD on 06-28-00 by J.F.T.</p>	<p>ALABAMA DEPARTMENT OF TRANSPORTATION 1409 COLISEUM BOULEVARD MONTGOMERY, AL 36130-3050</p>
<p>DESIGN BUREAU SPECIAL DRAWING JUNCTION BOX, TYPE SPECIAL CS 3 X 2 TO 30" PIPE</p>	
<p>Bureau Std Engr: L.V.S. DRAWN BY: _____ DATE DRAWN: _____</p>	<p>SPECIAL DRAWING NO SPECIAL PROJECT DETAIL</p>

NOT TO SCALE