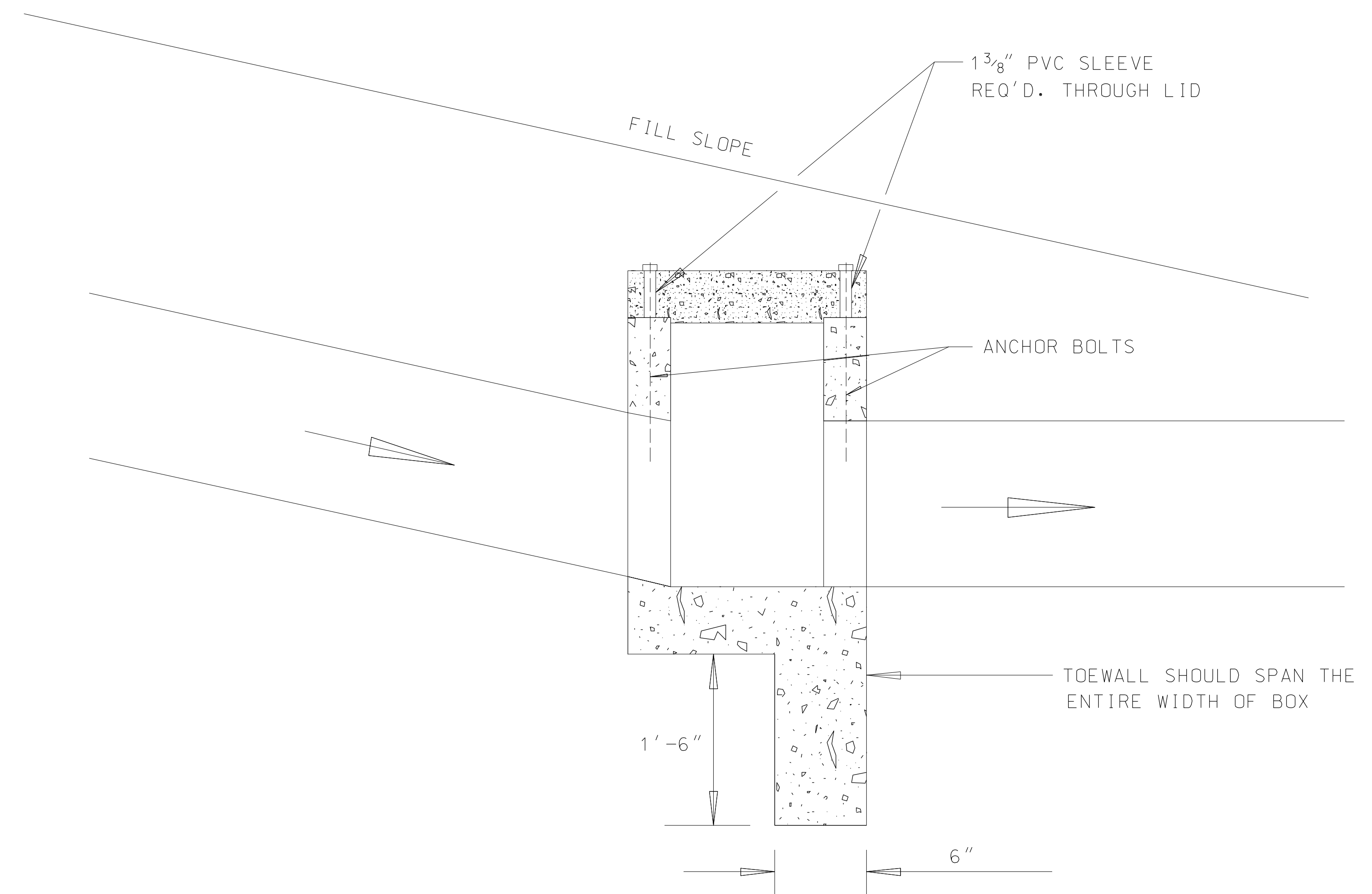
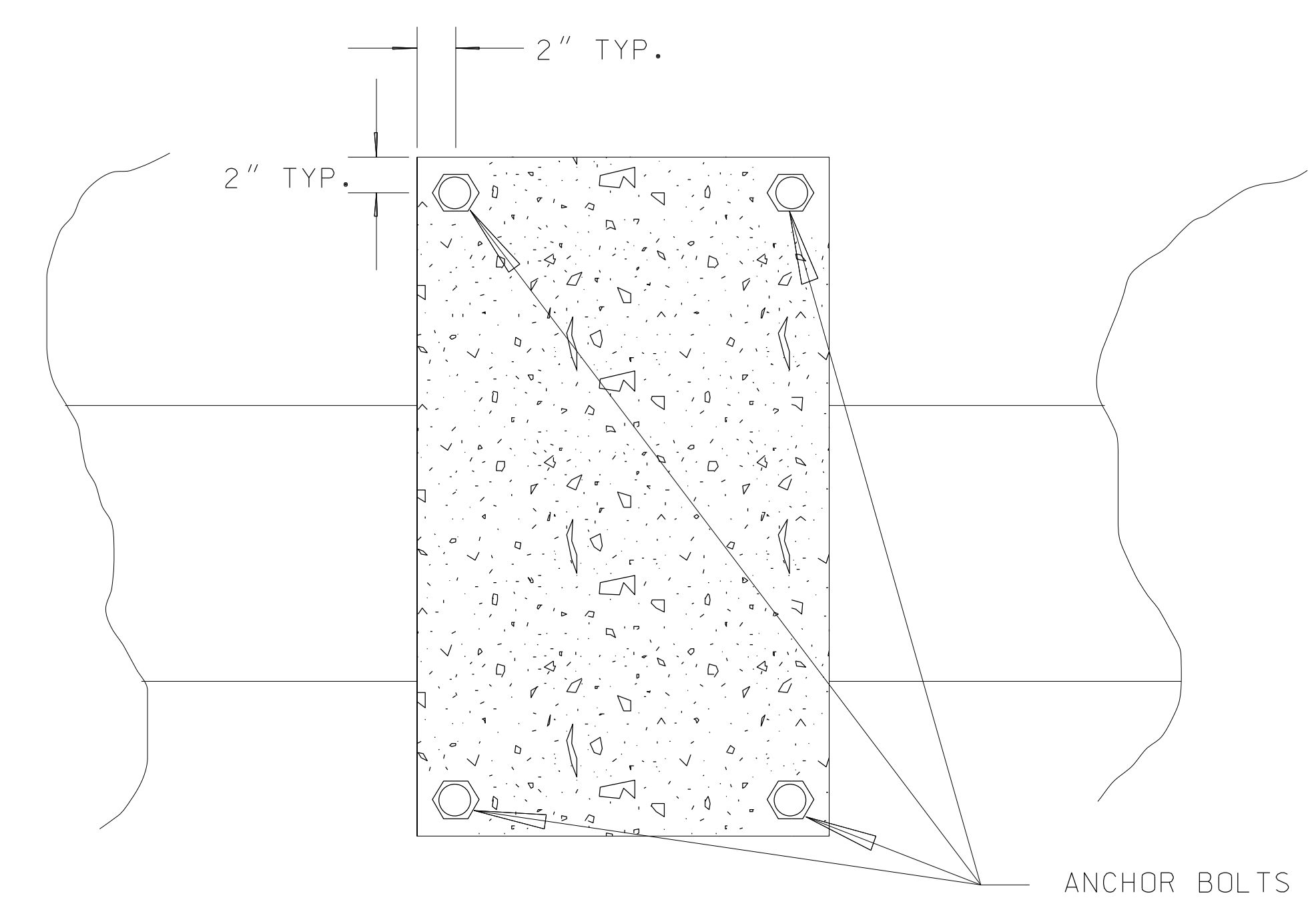


REFERENCE PROJECT NO	FISCAL YEAR	SHEET NO



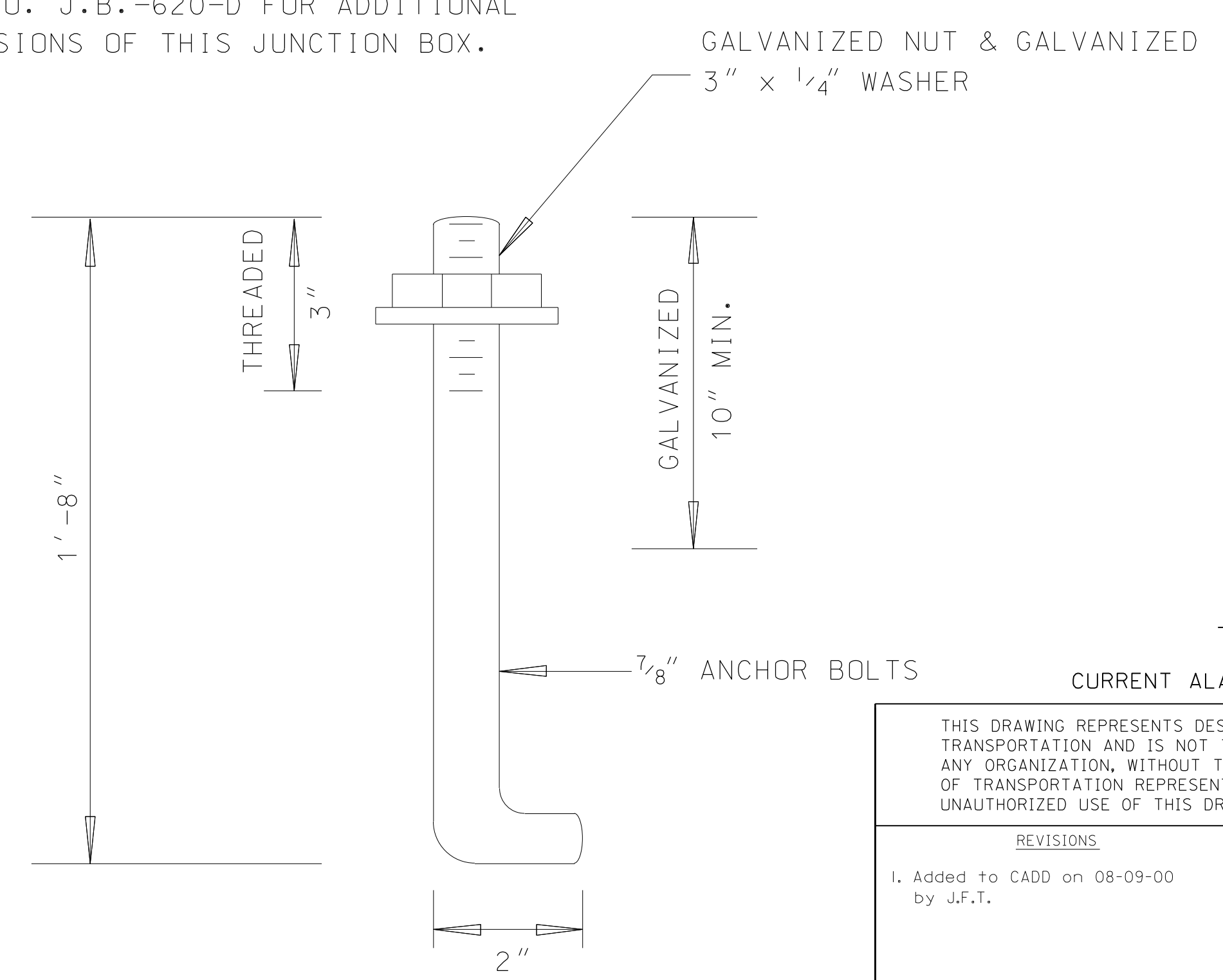
**DETAIL OF JUNCTION BOX, TYPE 3 (MODIFIED)**

NOTE: SEE STD. DWG. NO. J.B.-620-D FOR ADDITIONAL DETAILS AND DIMENSIONS OF THIS JUNCTION BOX.



**PLAN**

NOT TO SCALE



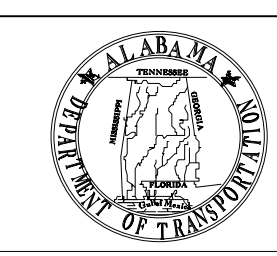
**ANCHOR BOLT DETAIL**

**--SPECIFICATIONS--**

CURRENT ALABAMA DEPARTMENT OF TRANSPORTATION

THIS DRAWING REPRESENTS DESIGNS PREPARED FOR USE BY THE ALABAMA DEPARTMENT OF TRANSPORTATION AND IS NOT TO BE COPIED, REPRODUCED, ALTERED, OR USED BY ANYONE, OR ANY ORGANIZATION, WITHOUT THE EXPRESSED WRITTEN CONSENT OF THE ALABAMA DEPARTMENT OF TRANSPORTATION REPRESENTATIVE AUTHORIZED TO APPROVE THIS USE. ANYONE MAKING UNAUTHORIZED USE OF THIS DRAWING MAY BE PROSECUTED TO THE FULLEST EXTENT OF THE LAW.

REVISIONS  
1. Added to CADD on 08-09-00 by J.F.T.



**ALABAMA DEPARTMENT OF TRANSPORTATION**  
1409 COLISEUM BOULEVARD  
MONTGOMERY, AL 36130-3050

DESIGN BUREAU SPECIAL DRAWING  
**SPECIAL PROJECT DETAILS FOR JUNCTION BOX, TYPE 3 (MODIFIED)**

Bureau Std Engr: L.V.S.  
DRAWN BY: J.F.T. DATE DRAWN: \_\_\_\_\_

SPECIAL DRAWING NO  
**SPECIAL PROJECT DETAIL** INDEX NO

NOT TO SCALE