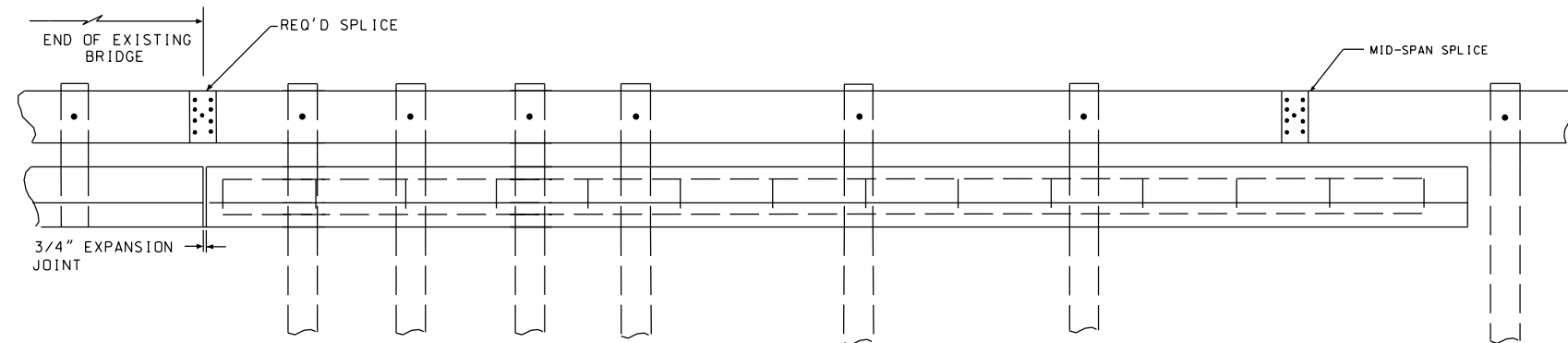
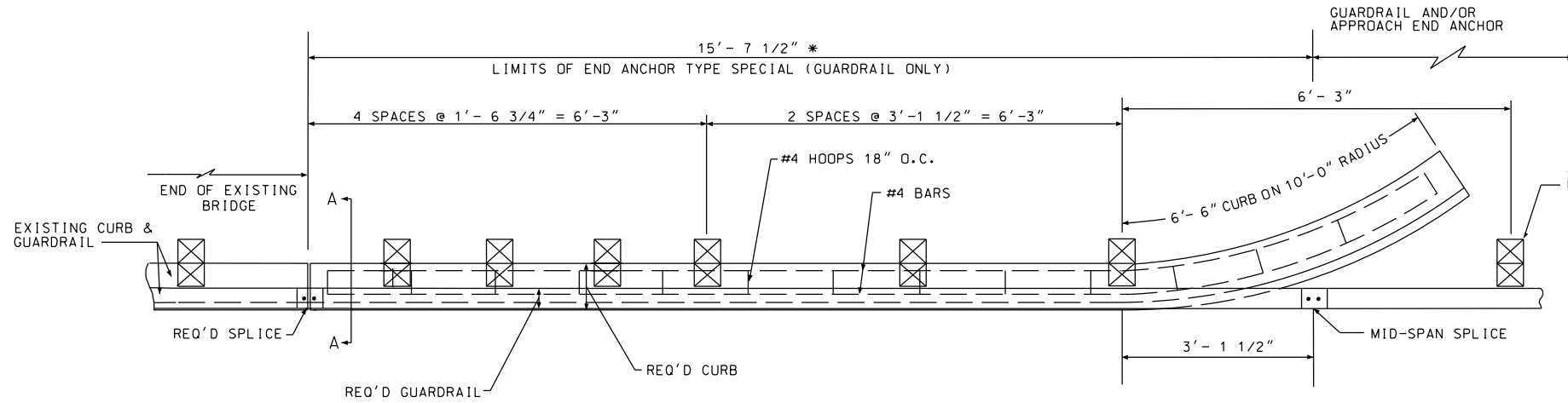
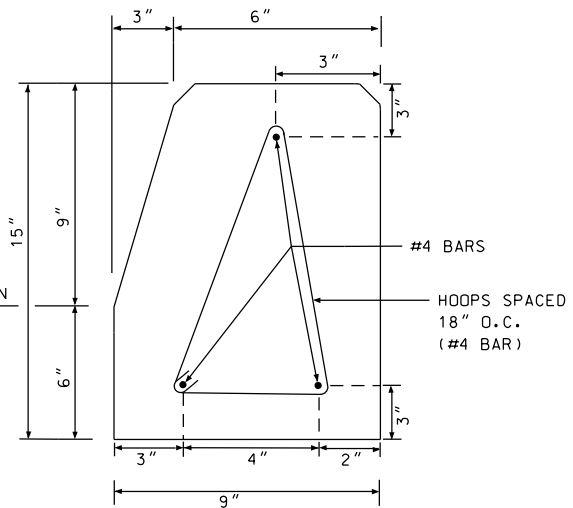


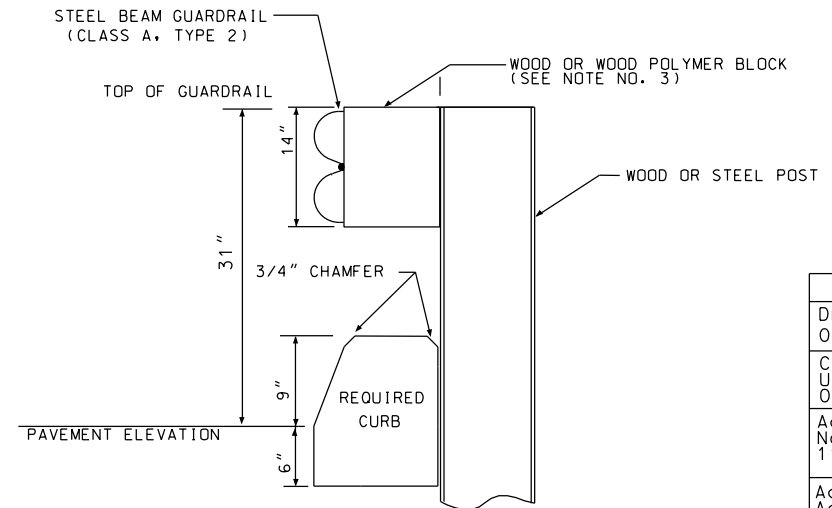
PROJECT NO.	FISCAL YEAR	SHEET NO.



- NOTES
- ① 3/4" EXPANSION JOINT IS REQUIRED BETWEEN BRIDGE CURB AND END ANCHOR CURB.
  - ② TOP AND SIDES OF NEW CURB SHALL ALIGN WITH TOP AND SIDES OF EXISTING BRIDGE CURB.
  - ③ SEE SPECIAL DRAWINGS INDEXES 63001 AND 63003 FOR ADDITIONAL DETAILS.
  - ④ PAYMENT FOR END ANCHOR, TYPE SPECIAL INCLUDES 19'-0" OF REQUIRED CURB AND 15'-7 1/2" OF CLASS A, TYPE 2 GUARDRAIL.
  - ⑤ THE CURB DIMENSIONS REPRESENT A STANDARD 9" BRIDGE CURB AND MAY NOT REFLECT THE ACTUAL BRIDGE CURB DIMENSIONS. THE CONTRACTOR SHALL BE RESPONSIBLE FOR FIELD VERIFYING THE ACTUAL BRIDGE CURB DIMENSIONS PRIOR TO FORMING AND CONSTRUCTING THE REQUIRED CURB SECTION FOR THE END ANCHOR, TYPE SPECIAL.
  - \*⑥ THE CONTRACTOR SHALL PROVIDE A CONTINUOUS PIECE OF GUARDRAIL FOR THE ENTIRE LIMITS OF THE END ANCHOR, TYPE SPECIAL.



REINFORCEMENT DETAIL FOR CONCRETE CURB



SECTION - AA

REVISIONS		
Drawn By: STP 02/01/96	Revised Guardrail Height per MASH Standards 6/01/17 - JAS	Revised End Anchor Limits for Required Mid-Span Splice 11/5/19 - DJM
Converted to U.S. Customary 07/08/99 - TBM	CHANGED BUREAU NAME IN TITLE BLOCK - 10/6/17 DJM	REVISED NOTE 3 6/4/20 DJM
Added Note No. 5 11/07/02 - TBM	REVISED NOTE 3 2/21/18 DJM	ADDED SPLICE AT BRIDGE END 5/25/21 DJM
Added Two Additional Post At Bridge End 11/06/12 - TBM	Revised Guardrail Height 4/24/19 - DJM	

**ALABAMA DEPARTMENT OF TRANSPORTATION**

LOCAL TRANSPORTATION BUREAU  
SPECIAL PROJECT DRAWING

**DETAILS OF GUARDRAIL END ANCHOR - TYPE SPECIAL**  
MASH STANDARDS

FOR EXISTING BRIDGES WITH GUARDRAIL ACROSS BRIDGE

SCALE  
NOT TO SCALE