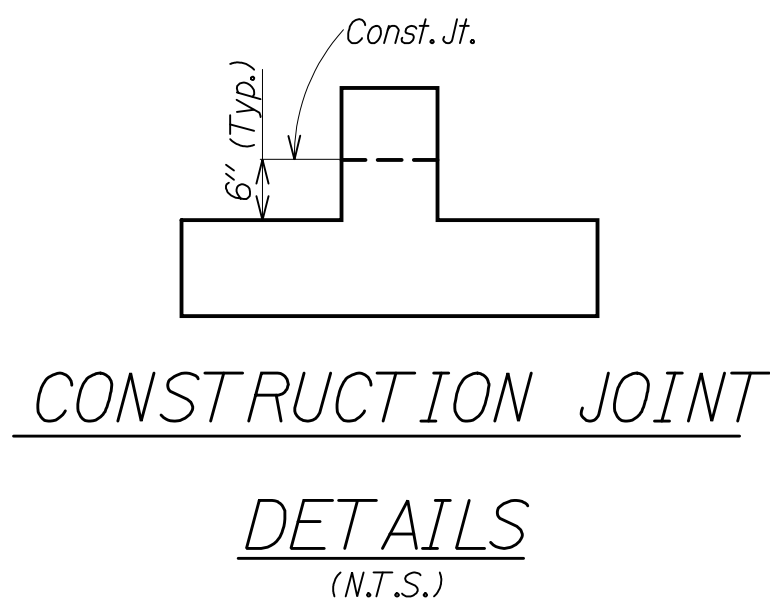


CAMBER DETAILS  
(N.T.S.)



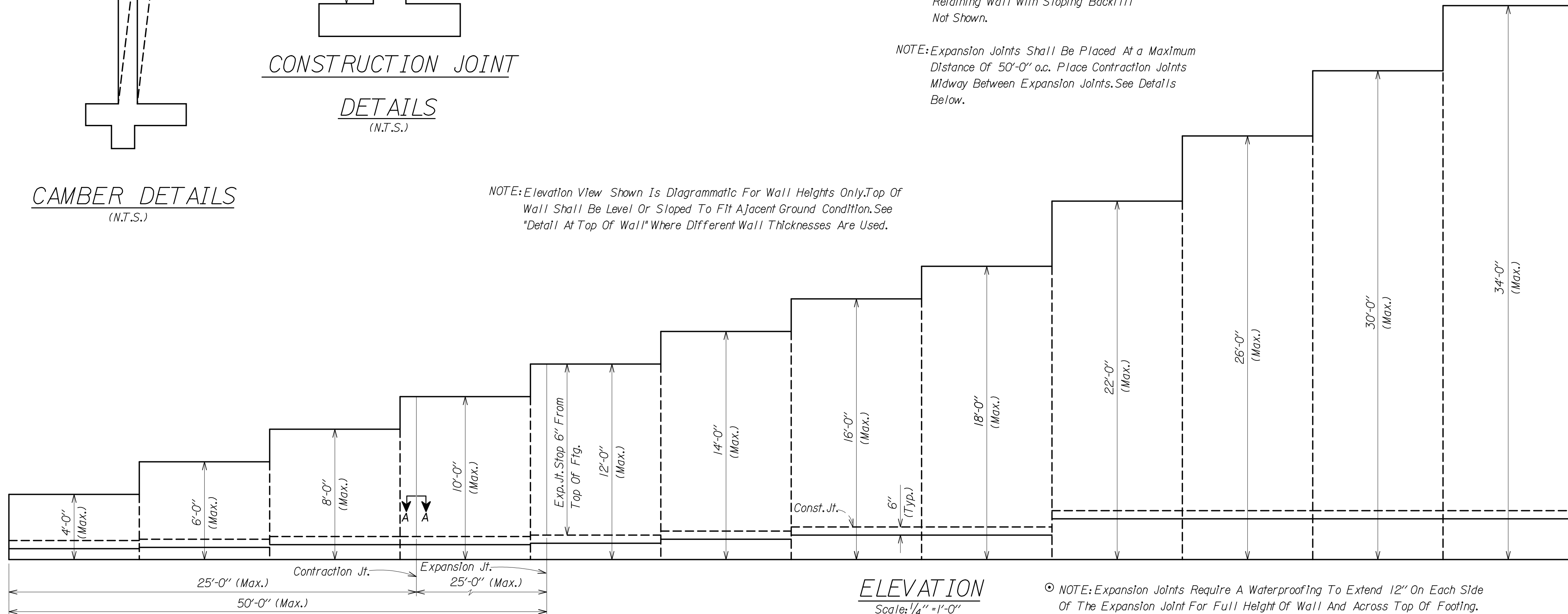
CONSTRUCTION JOINT  
DETAILS  
(N.T.S.)

PLAN  
Scale: 1/4" = 1'-0"

NOTE: Plans And Elevations For 16'-0" To 34'-0" Retaining Wall With Sloping Backfill Not Shown.

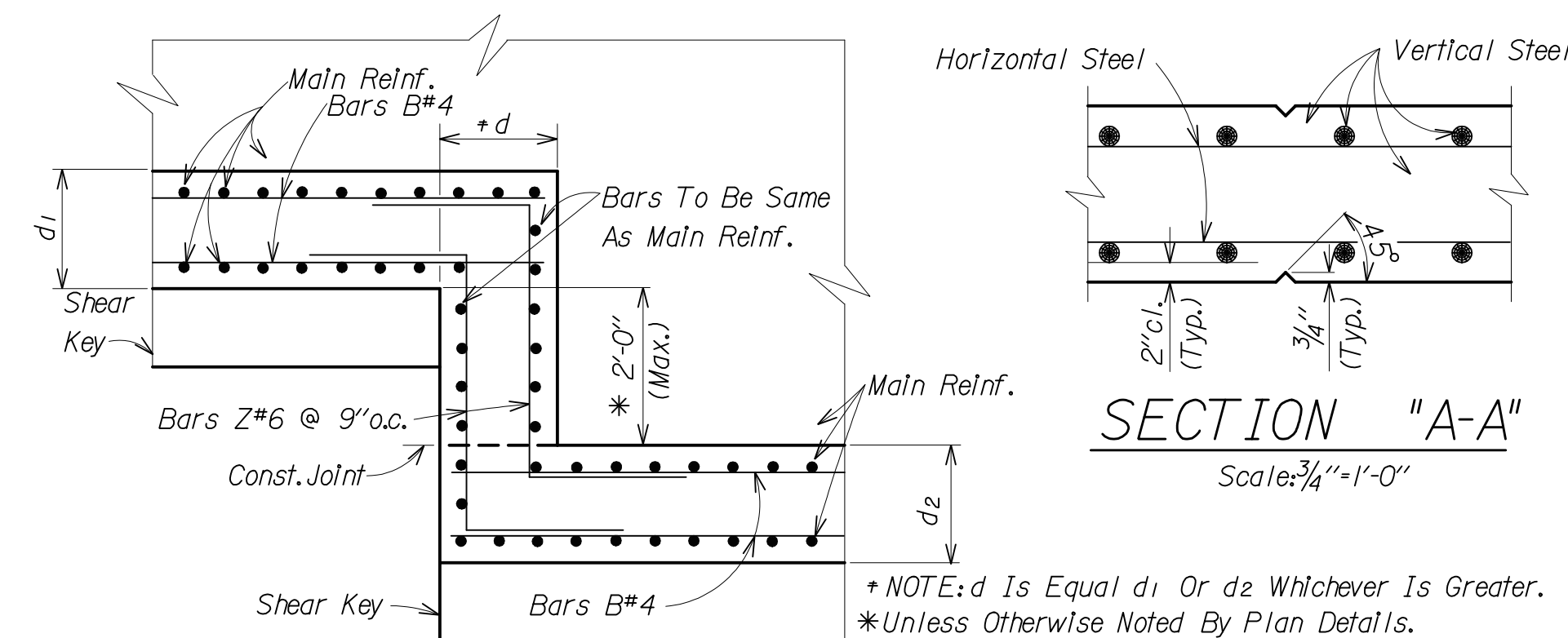
NOTE: Expansion Joints Shall Be Placed At A Maximum Distance Of 50'-0" o.c. Place Contraction Joints Midway Between Expansion Joints. See Details Below.

NOTE: Elevation View Shown Is Diagrammatic For Wall Heights Only. Top Of Wall Shall Be Level Or Sloped To Fit Adjacent Ground Condition. See "Detail At Top Of Wall" Where Different Wall Thicknesses Are Used.



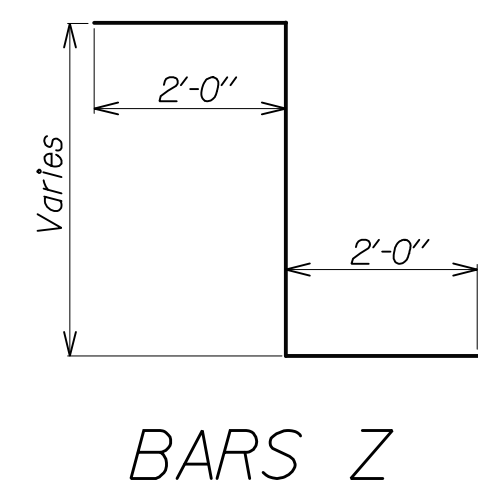
ELEVATION  
Scale: 1/4" = 1'-0"

NOTE: Expansion Joints Require A Waterproofing To Extend 12" On Each Side Of The Expansion Joint For Full Height Of Wall And Across Top Of Footing. Waterproofing Shall Be Class A Or Class D In Accordance With Section 515. Cost Of Waterproofing To Be Included In The Unit Price Bid For Retaining Wall Concrete.

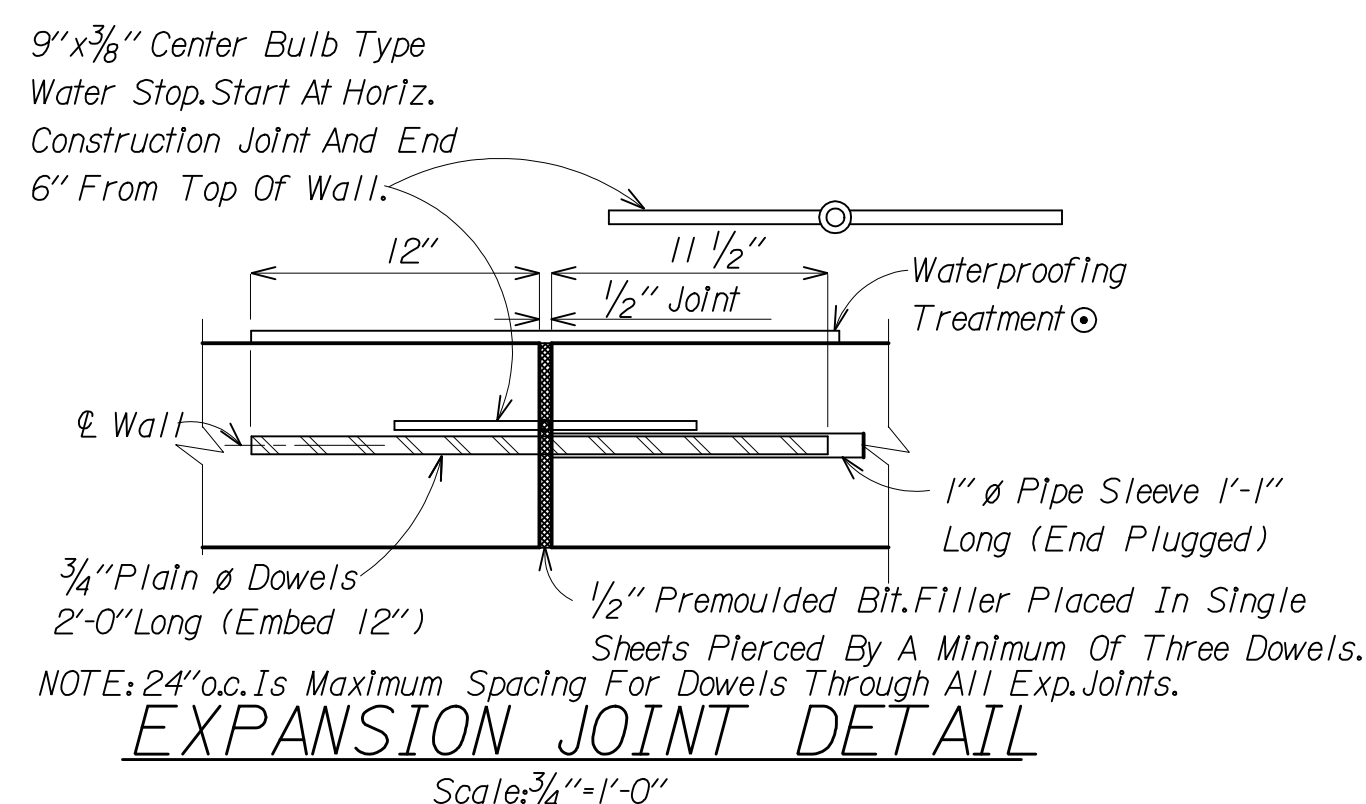


SECTION TO ADAPT STEPPED FOOTING  
Scale: 1/2" = 1'-0"

SECTION "A-A"  
Scale: 3/4" = 1'-0"



BARS Z



EXPANSION JOINT DETAIL  
Scale: 3/4" = 1'-0"

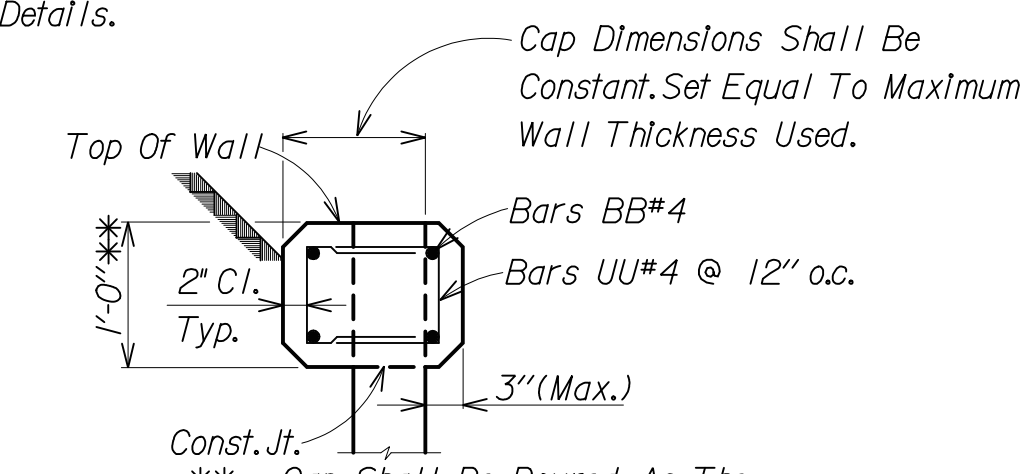
NOTE: Quantities Are Based On Maximum Height For Each Wall.

ESTIMATED QUANTITIES

Wall Height	Cu. Yds. Concrete (Per Lin. Ft. Of Wall)	Lbs. Steel Reinf. (Per Lin. Ft. Of Wall)
0' To 4'	0.16	6.4
4' To 6'	0.23	19.8
6' To 8'	0.40	44.7
8' To 10'	0.53	76.2
10' To 12'	0.75	108.8
12' To 14'	1.08	147.2
14' To 16'	1.37	185.1
16' To 18' (Level Fill)	1.38	156.8
16' To 18' (Slope Fill)	2.09	251.2
18' To 22' (Level Fill)	2.60	197.6
18' To 22' (Slope Fill)	2.92	310.8
22' To 26' (Level Fill)	3.14	344.8
22' To 26' (Slope Fill)	3.51	556.7
26' To 30' (Level Fill)	3.88	488.6
26' To 30' (Slope Fill)	4.06	428.8
30' To 34' (Level Fill)	4.44	630.1
30' To 34' (Slope Fill)	5.15	820.0

GENERAL NOTES

- SPECIFICATIONS:** Alabama Department Of Transportation CONCRETE: Shall Be Retaining Wall Concrete.
- WEEP HOLES:** Three Inch Round Weep Holes Spaced Not Over Ten Feet On Centers Shall Be Placed At Elevations As Shown On Retaining Wall Sections w/Backfill As Per Subarticle 214.02 (b).
- CONSTRUCTION JOINTS:** All Construction Joints Shall Be Carefully Made, Well Bonded And Waterproof.
- STEEL REINFORCEMENT:** All Reinforcement Shall Be In Accordance With Section 835.
- WALL CAP:** The Top Of All Walls Shall Be Provided With A Cap As Detailed Below Unless Otherwise Noted By Plan Details.



DETAIL AT TOP OF WALL  
Scale: 3/4" = 1'-0"

THESE DRAWINGS REPRESENT DESIGNS PREPARED FOR USE BY THE ALABAMA DEPARTMENT OF TRANSPORTATION AND ARE NOT TO BE COPIED, REPRODUCED, ALTERED, OR USED BY ANYONE OR ANY ORGANIZATION, WITHOUT THE EXPRESSED WRITTEN CONSENT OF THE ALABAMA DEPARTMENT OF TRANSPORTATION REPRESENTATIVE AUTHORIZED TO APPROVE SUCH USE. ANYONE MAKING UNAUTHORIZED USE OF THESE DRAWINGS MAY BE PROSECUTED TO THE FULLEST EXTENT OF THE LAW.

DESIGN SECTION SUPERVISOR
ASSISTANT BRIDGE ENGINEER
BRIDGE ENGINEER

ALABAMA DEPARTMENT OF TRANSPORTATION

THIS STANDARD TO BE USED WITH ANY OF THE FOLLOWING STANDARDS	STANDARD
REVISIONS	RETAINING WALLS 0' TO 34' HEIGHTS
ESTIMATED QUANTITIES	STANDARD DWG. NO.
COMPUTED BY:	RW 10-4
VERIFIED BY:	SHEET NO. 1 OF 4
CHECKED BY:	DESIGNED BY:
DATE CHECKED: 10-17-03	DATE DRAWN: