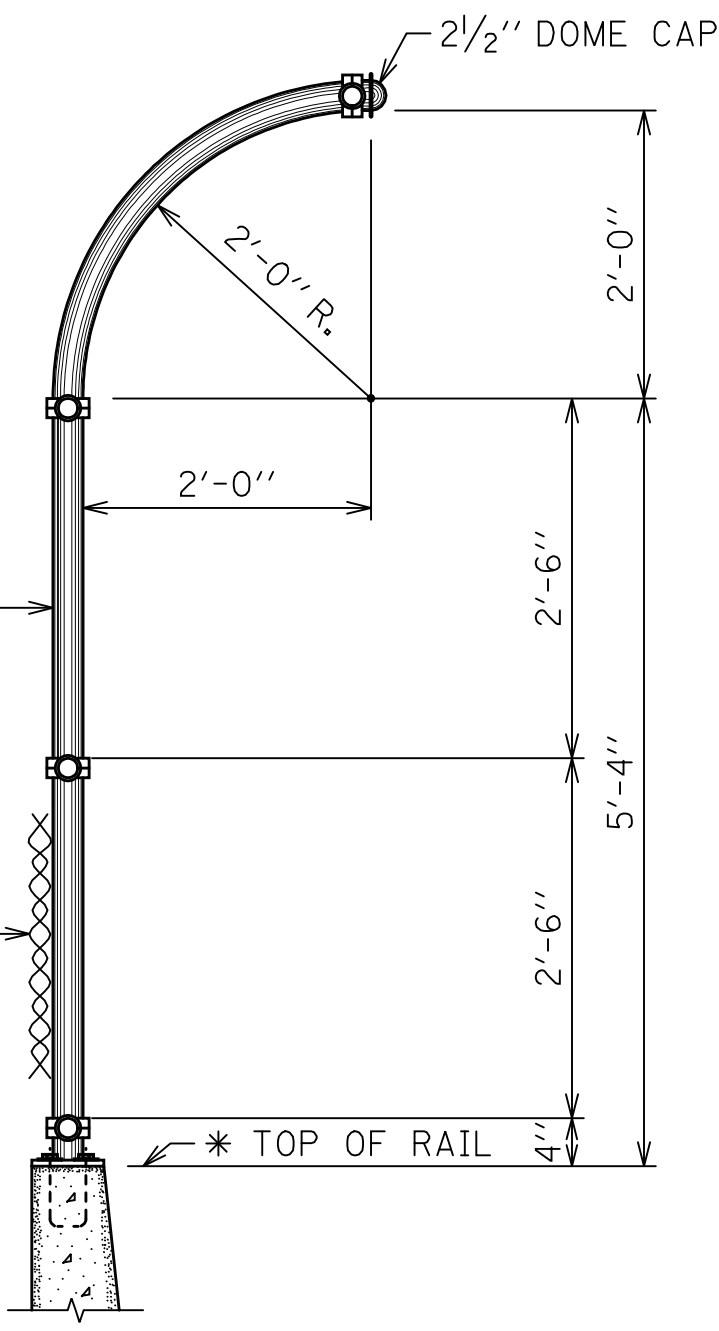
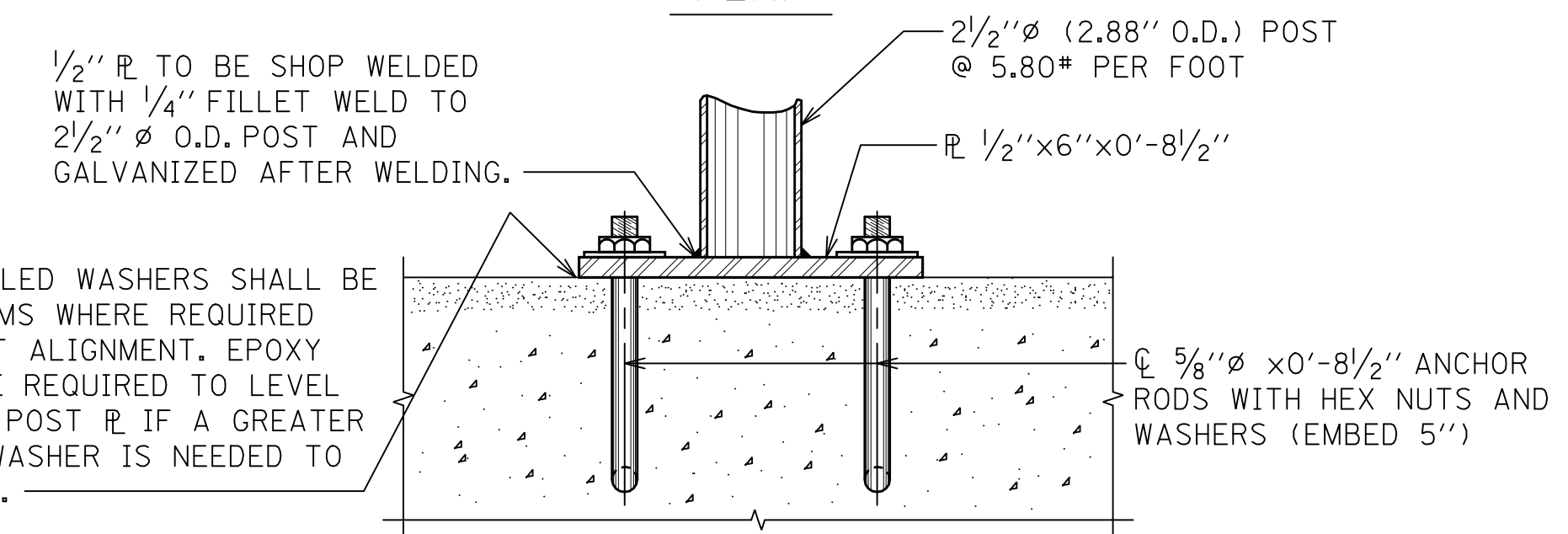
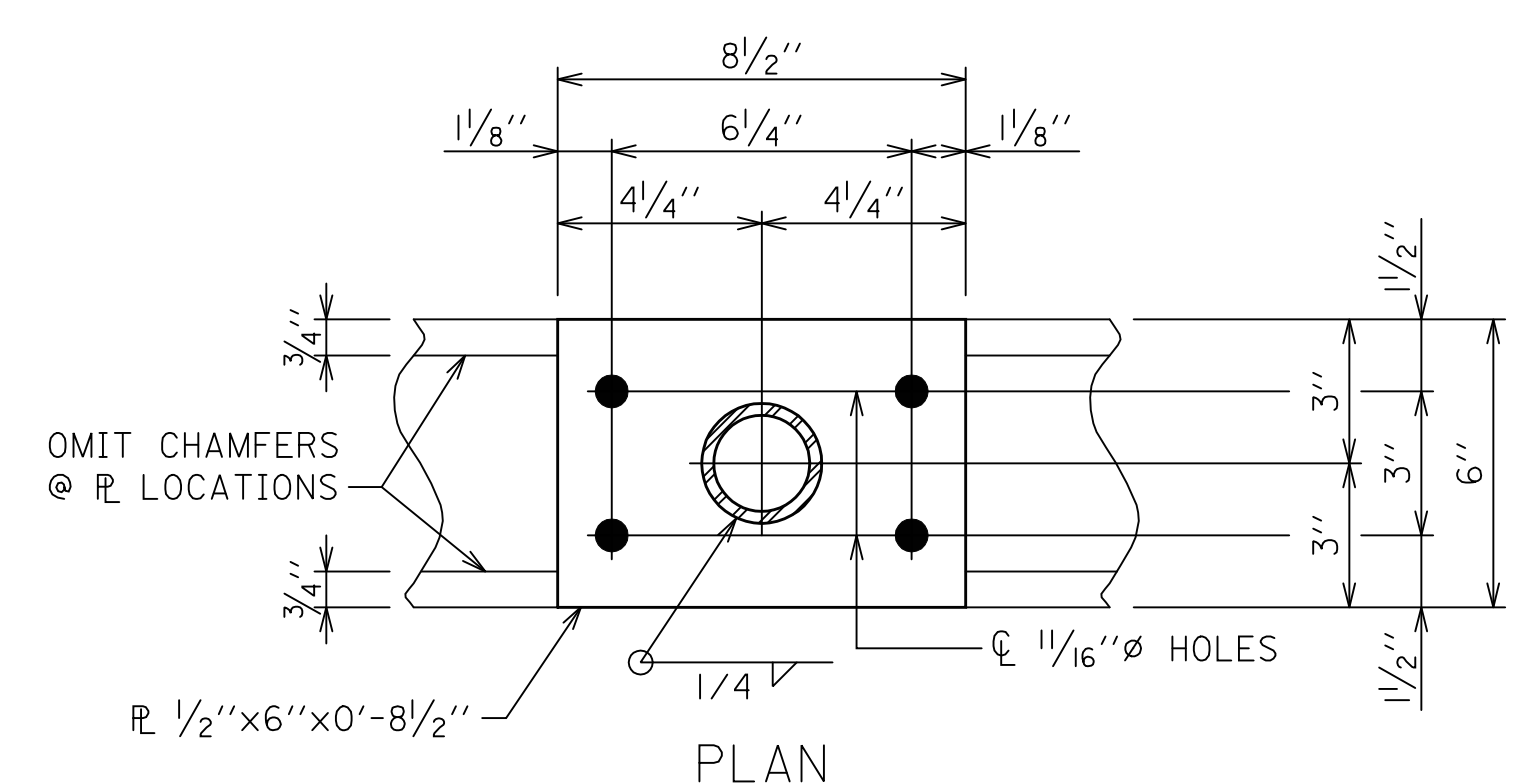
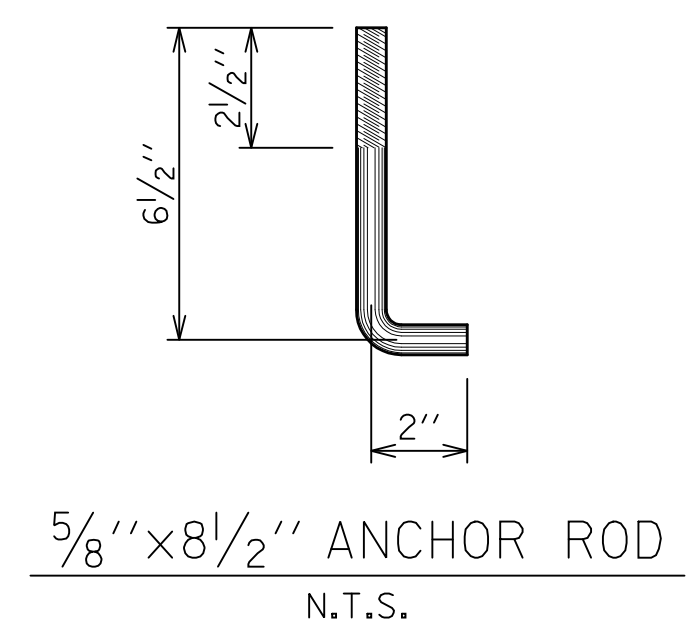
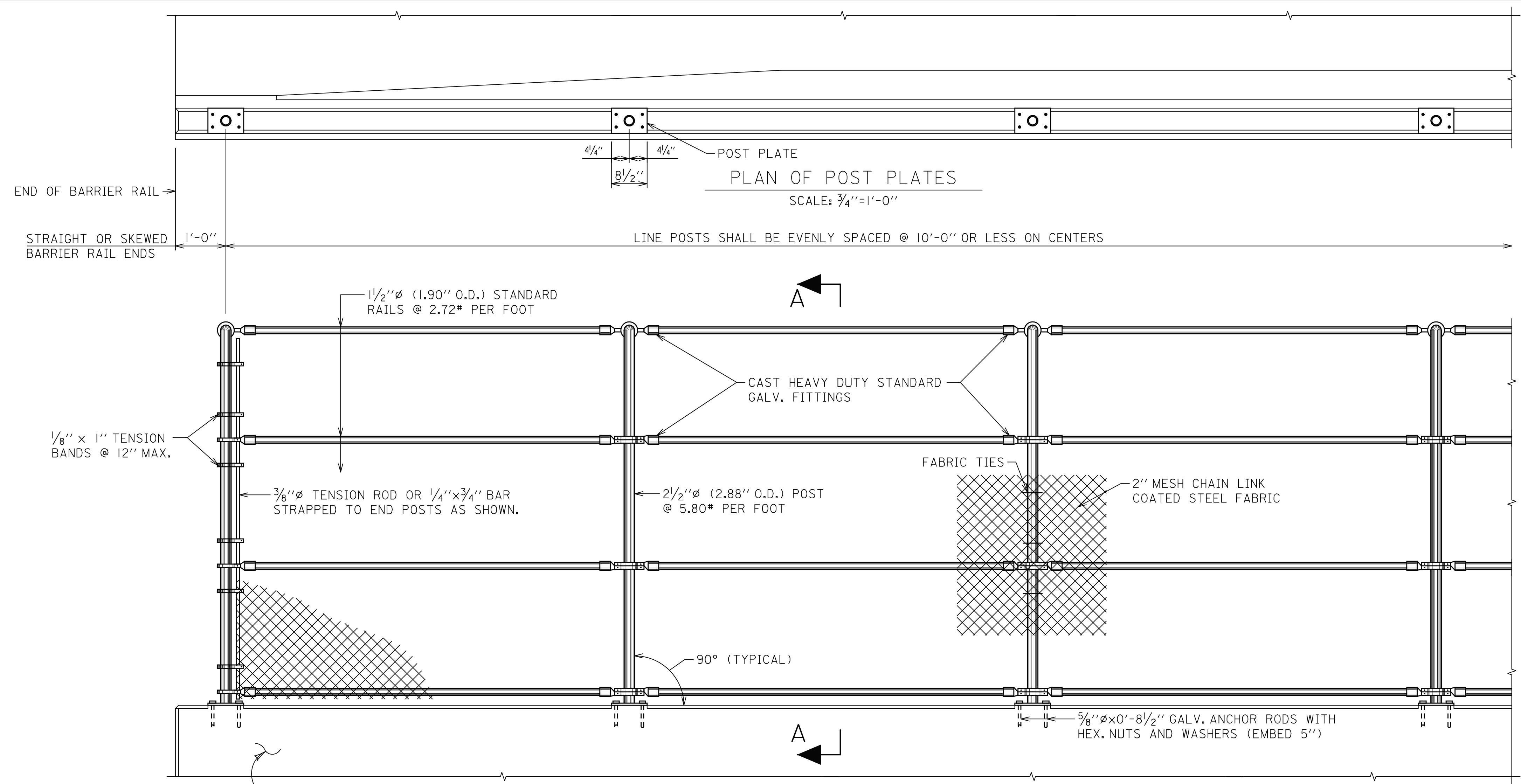


2" SHEET REFERENCE



**GENERAL NOTES**

- ALL POST AND FRAMES TO BE SET AS SHOWN IN ELEVATION ABOVE.
- FABRIC SHALL BE FASTENED TO LINE POST WITH PROPER TIES SPACED APPROX. 12" APART. FABRIC SHALL BE ATTACHED TO RAILS WITH PROPER TIES SPACED APPROX 15" APART.
- ALL ROUGH EDGES OF FABRIC OR TIE TWIST ENDS SHALL BE BENT BACK AWAY FROM PEDESTRIAN SIDE OF WALKWAYS.
- OMITTED
- ALL MATERIALS FOR FENCE SHALL BE IN ACCORDANCE WITH THE ALABAMA DEPARTMENT OF TRANSPORTATION STANDARD SPECIFICATIONS SECTION 871. ALL MISCELLANEOUS STEEL, SEE SUB-ARTICLE 634.02(b).
- TEMPLATES, SUPPLIED BY THE MATERIALS MANUFACTURER, SHALL BE USED TO PLACE ALL 5/8" ANCHOR RODS FOR POST PLATES.
- PAYMENT FOR FENCE SHALL BE "LINEAR FEET INDUSTRIAL FENCE, 7.33 FEET HIGH". THIS ITEM SHALL CONSIST OF FURNISHING AND PLACING THE FENCE, WHICH INCLUDES THE WIRE FABRIC, ALL THE PIPE, FRAMEWORK, ALL THE FASTENERS, PLATES, STRAPS AND CONNECTORS NECESSARY FOR THIS INSTALLATION, COMPLETE AND IN PLACE.
- THE CONTRACTOR MAY SUBSTITUTE 5/8" x 8" ALL THREADED, GALVANIZED A-36 ANCHOR RODS IN 1/2" x 6" DRILLED HOLES IN LIEU OF THE ANCHORAGE DETAILS SHOWN ON THIS SHEET. THIS ALTERNATE ANCHORAGE SYSTEM MUST BE EPOXIED IN WITH ONE OF THE APPROVED CONCRETE ANCHORING SYSTEMS IN THE ALDOT "MATERIALS, SOURCES AND DEVICES WITH SPECIAL ACCEPTANCE REQUIREMENTS" MANUAL, SECTION II-15. PULL OUT TEST MAY BE REQUIRED AT THE DISCRETION OF THE ENGINEER.

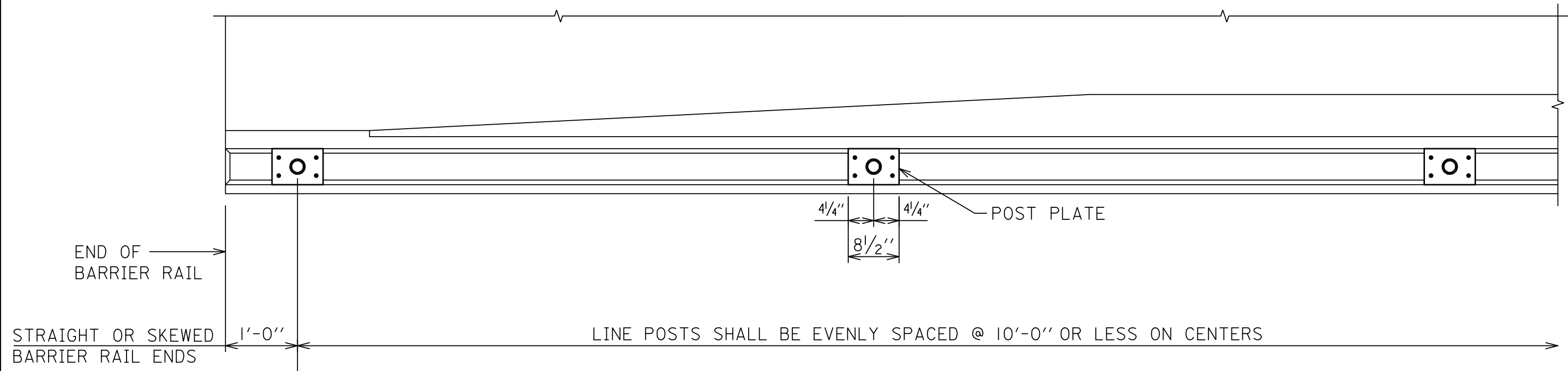
\* 9. INDUSTRIAL FENCE MAY BE MOUNTED TO THE BRIDGE DECK IF SHOWN ON THE CONTRACT PLANS.

THESE DRAWINGS REPRESENT DESIGNS PREPARED FOR USE BY THE ALABAMA DEPARTMENT OF TRANSPORTATION AND ARE NOT TO BE COPIED, REPRODUCED, ALTERED, OR USED BY ANYONE OR ANY ORGANIZATION, WITHOUT THE EXPRESSED WRITTEN CONSENT OF THE ALABAMA DEPARTMENT OF TRANSPORTATION REPRESENTATIVE AUTHORIZED TO APPROVE SUCH USE. ANYONE MAKING UNAUTHORIZED USE OF THESE DRAWINGS MAY BE PROSECUTED TO THE FULLEST EXTENT OF THE LAW.

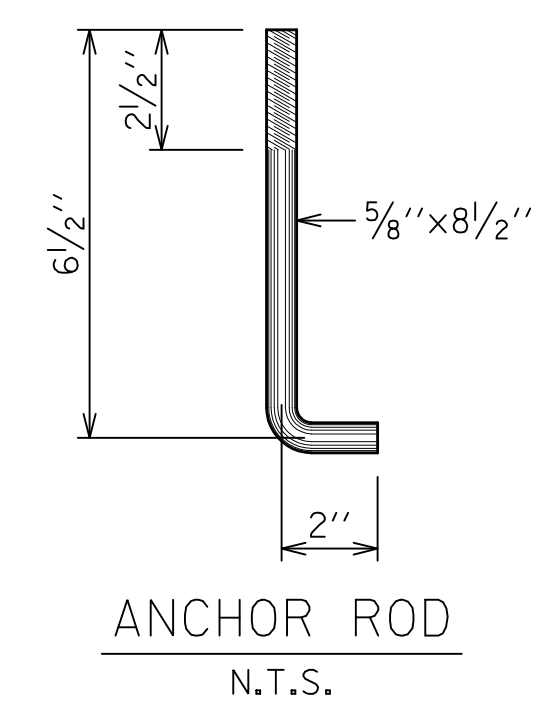
<b>ALABAMA DEPARTMENT OF TRANSPORTATION</b>		<b>STANDARD INDUSTRIAL FENCE STANDARD DETAILS FOR BRIDGE SIDEWALKS</b>	
THIS STANDARD TO BE USED WITH ANY OF THE FOLLOWING STANDARDS		STANDARD DWG. NO.	
REVISIONS		<b>IFS-2</b>	
DESIGN SECTION SUPERVISOR	CHECKED BY: M.J.H.	DRAWN BY: V.T.W.	ESTIMATED QUANTITIES
ASSISTANT BRIDGE ENGINEER	DATE CHECKED: 9-29-03	DATE DRAWN: 9-29-03	COMPUTED BY:
BRIDGE ENGINEER	SCALE:		VERIFIED BY:
			DESIGNED BY:
			STANDARD DWG. NO.
			<b>IFS-2</b>
			SCALE:
			SHEET NO. 1 OF 1

U:\Standards\Bridges\misc\2010\_StandardsBook\ifs2.dgn  
Plotted: 21-Aug-2009 11:32 AM

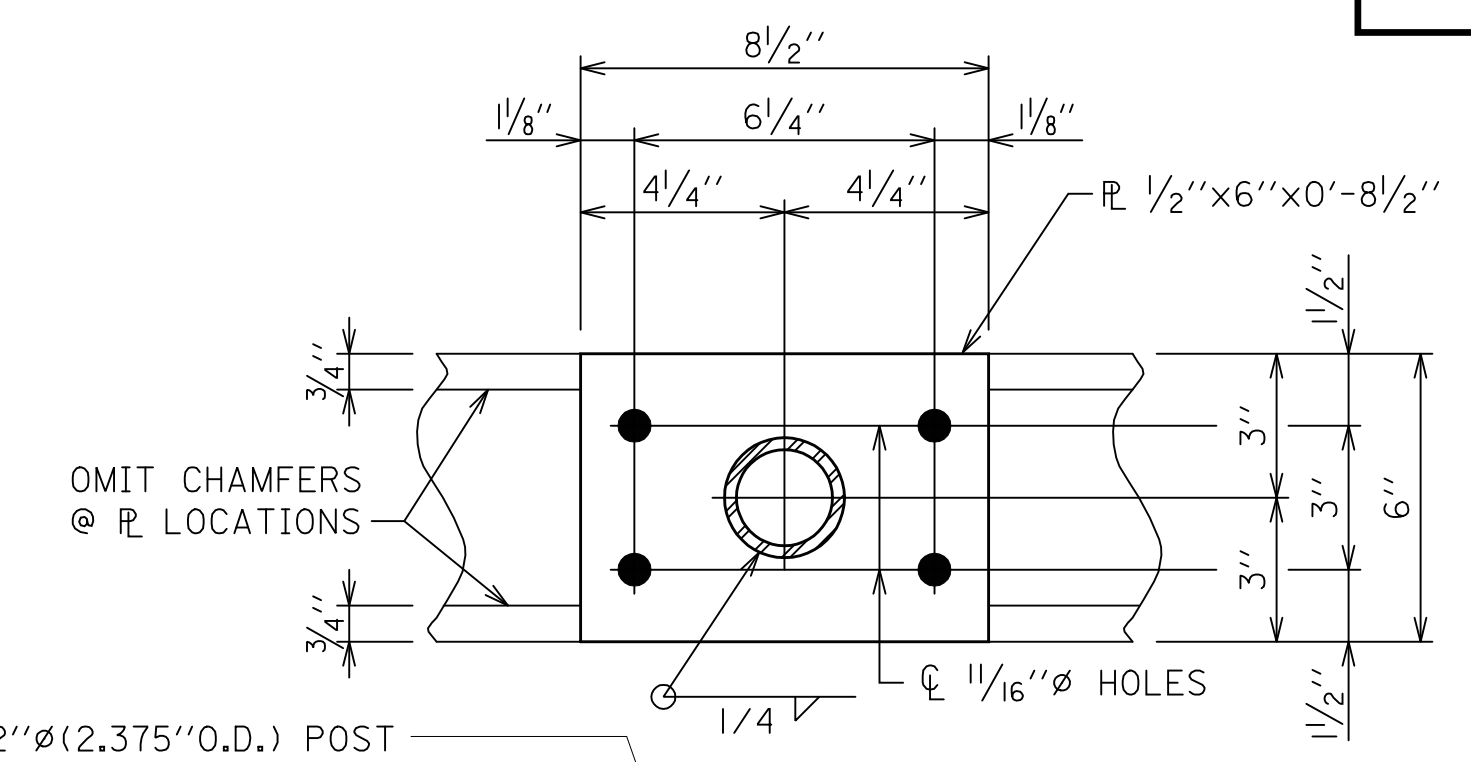
2"  
1"  
0



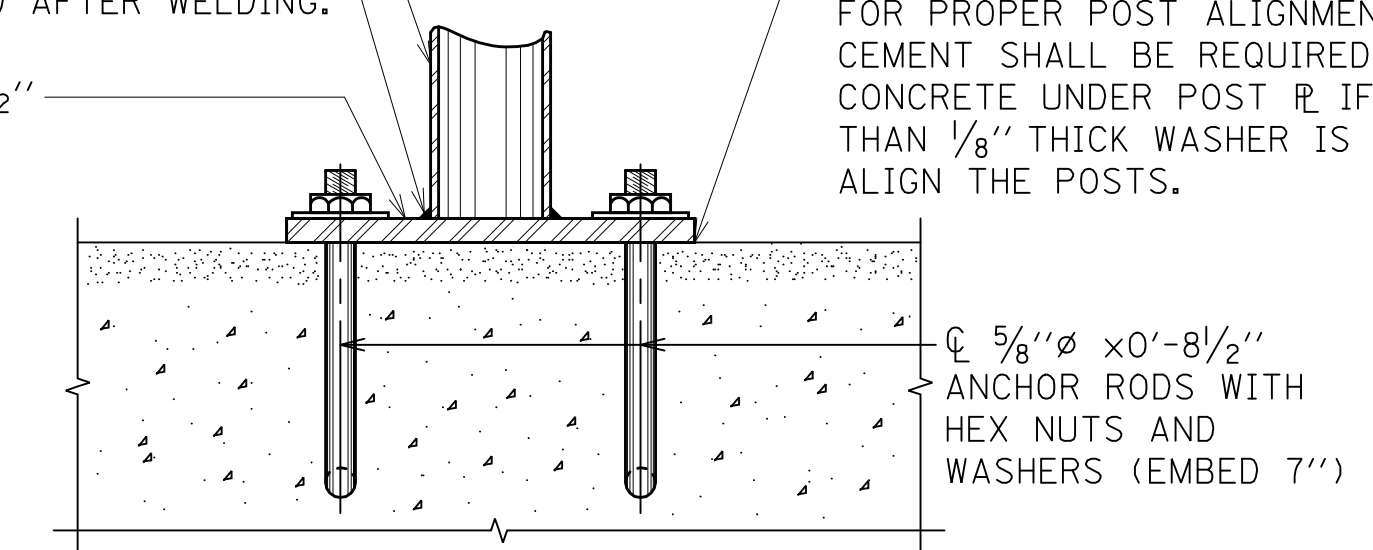
PLAN OF POST PLATES  
SCALE: 3/4"=1'-0"



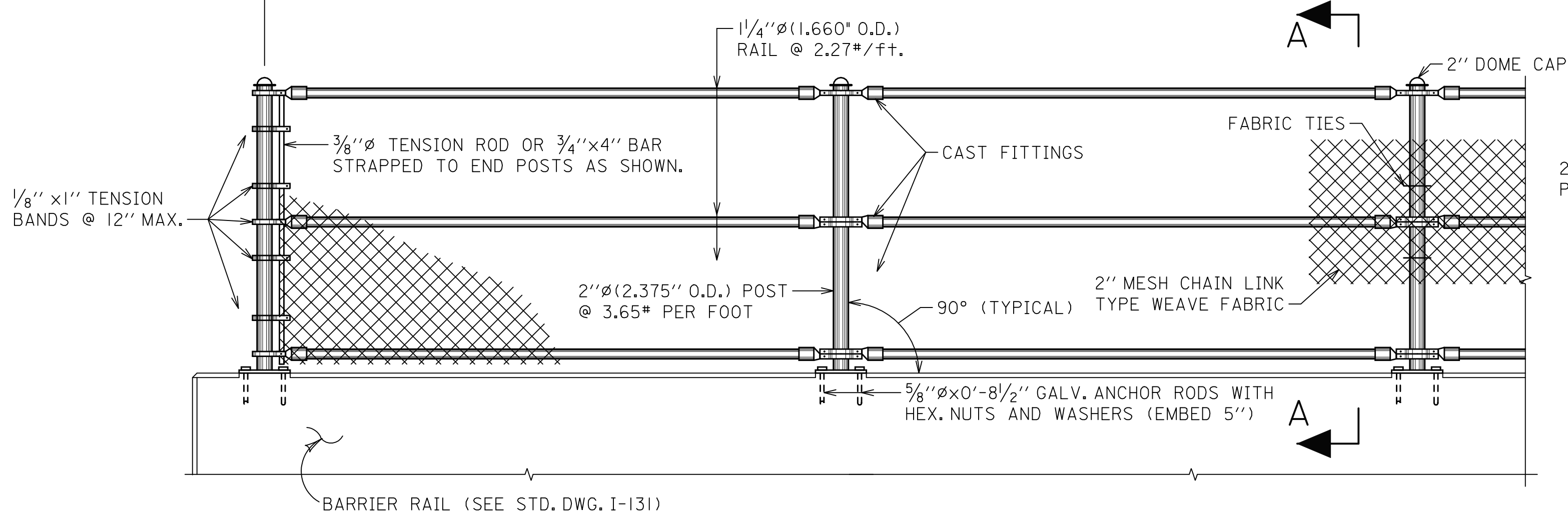
ANCHOR ROD  
N.T.S.



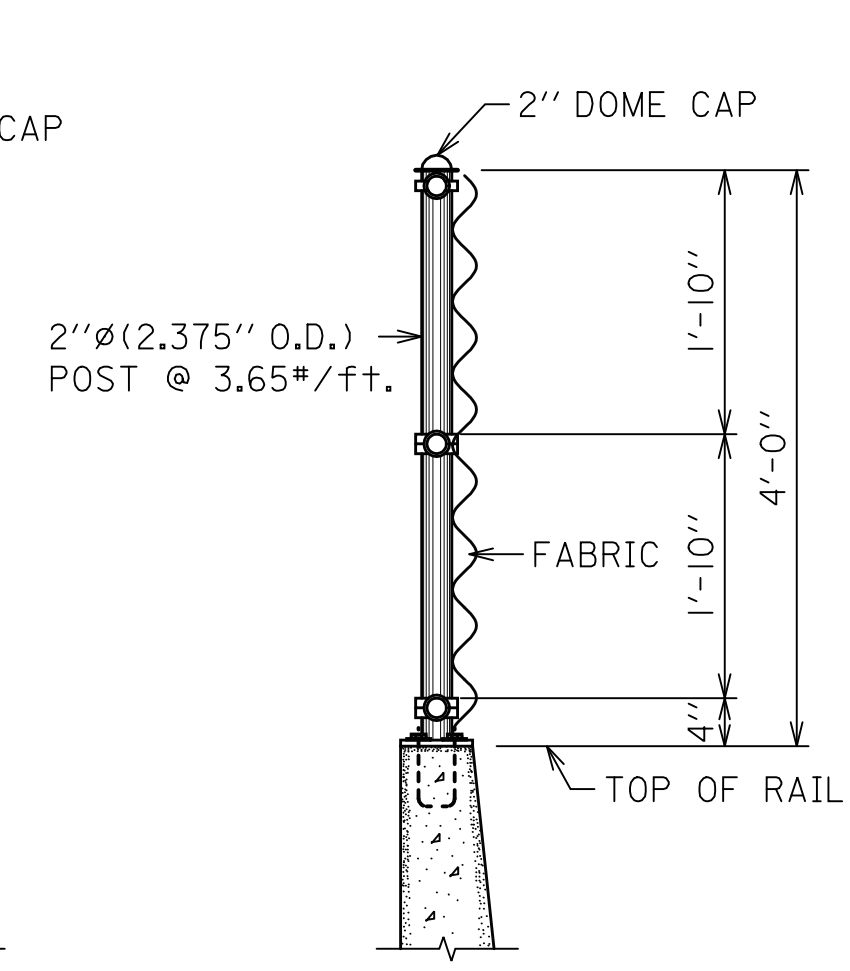
2"Ø (2.375" O.D.) POST PIPE @ 3.65# PER FOOT  
1/2" R TO BE SHOP WELDED WITH 1/4" FILLET WELD TO POST AND GALVANIZED AFTER WELDING.  
R 1/2" x 6" x 8 1/2"  
GALVANIZED BEVELED WASHERS SHALL BE PROVIDED AS SHIMS WHERE REQUIRED FOR PROPER POST ALIGNMENT. EPOXY CEMENT SHALL BE REQUIRED TO LEVEL CONCRETE UNDER POST R IF A GREATER THAN 1/8" THICK WASHER IS NEEDED TO ALIGN THE POSTS.



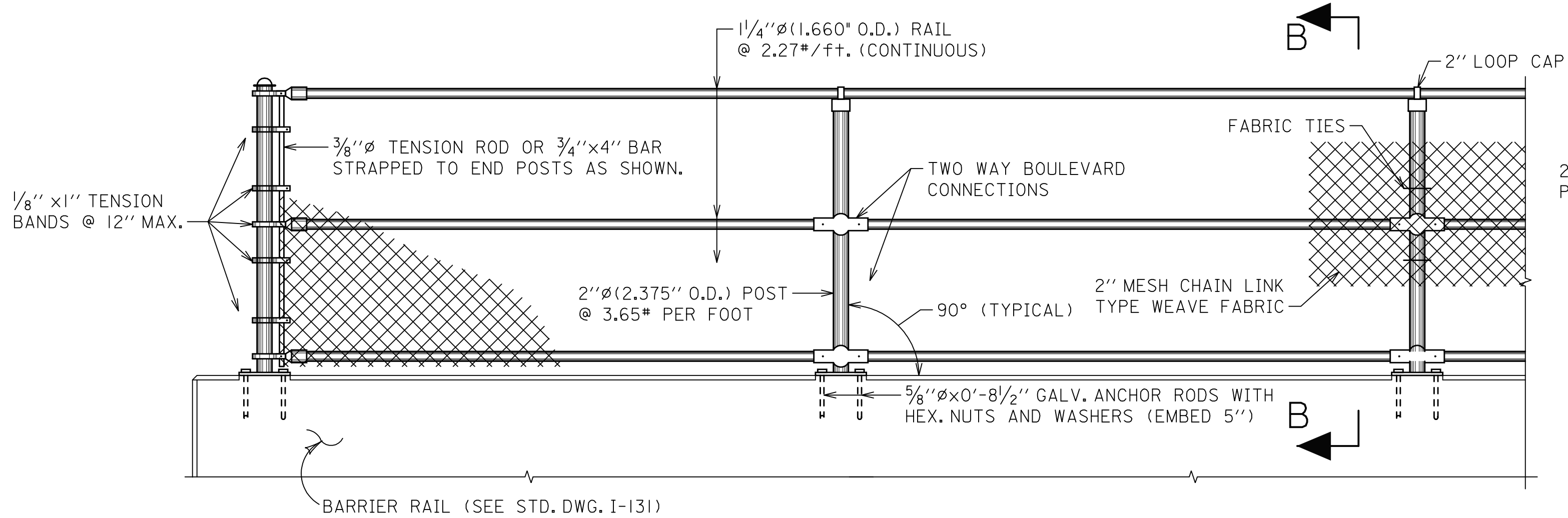
ELEVATION POST PLATE  
SCALE: 3"=1'-0"



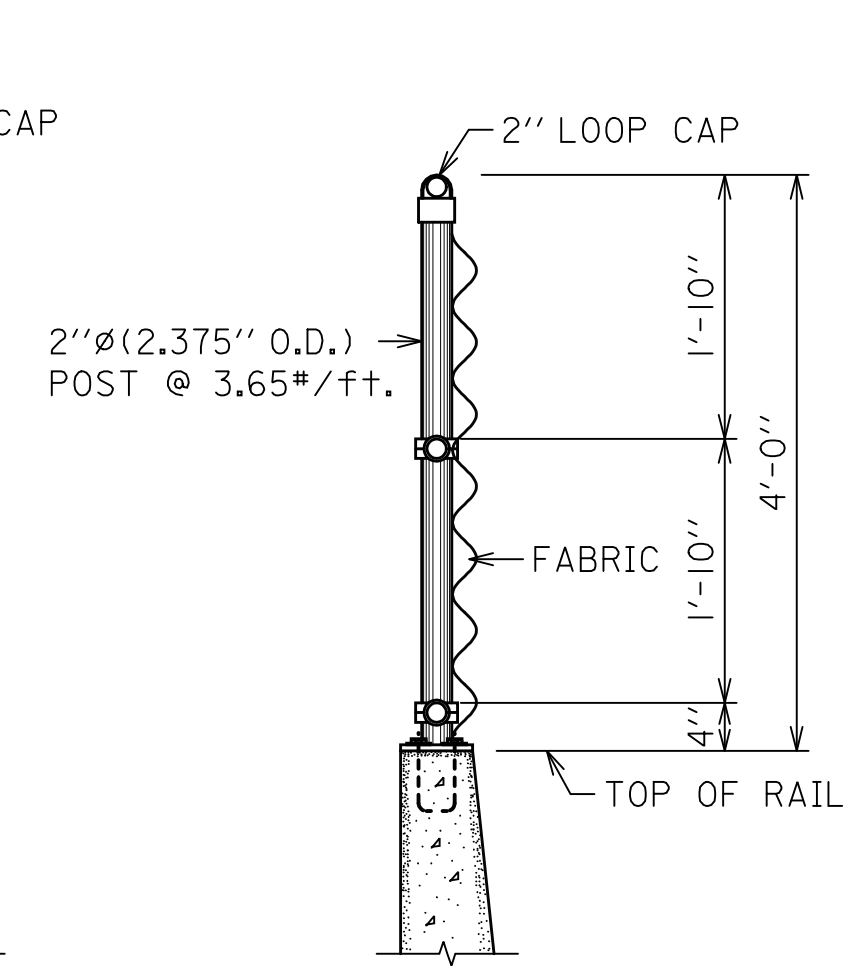
ELEVATION OF FENCE  
SCALE: 3/4"=1'-0"



SECTION A-A  
SCALE: 3/4"=1'-0"



ELEVATION OF FENCE (OPTIONAL)  
SCALE: 3/4"=1'-0"



SECTION B-B  
SCALE: 3/4"=1'-0"

GENERAL NOTES

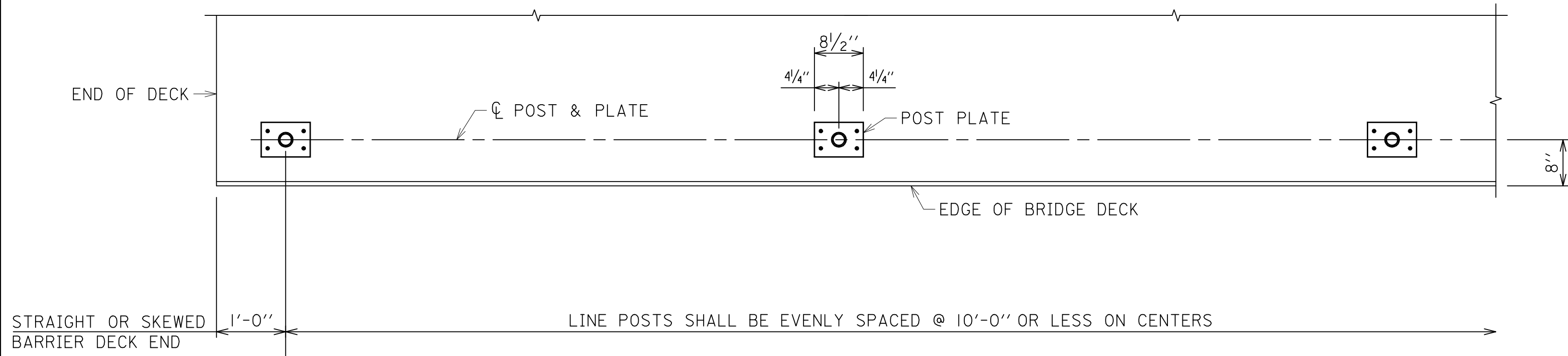
1. ALL POST AND FRAMES TO BE SET AS SHOWN IN ELEVATION VIEWS ON THIS SHEET.
2. FABRIC SHALL BE FASTENED TO LINE POSTS WITH PROPER TIES SPACED APPROX. 12" APART. FABRIC SHALL BE ATTACHED TO RAILS WITH PROPER TIES SPACED APPROX. 15" APART.
3. ALL ROUGH EDGES OF FABRIC OR TIE TWIST ENDS SHALL BE BENT BACK AWAY FROM PEDESTRIAN SIDE OF WALKWAYS.
4. ALL MATERIALS FOR FENCE SHALL BE IN ACCORDANCE WITH THE ALABAMA DEPARTMENT OF TRANSPORTATION STANDARD SPECIFICATIONS SECTION 871. ALL MISCELLANEOUS STEEL, SEE SUB-ARTICLE 634.02(b).
5. TEMPLATES, SUPPLIED BY THE MATERIALS MANUFACTURER, SHALL BE USED TO PLACE ALL 5/8"Ø ANCHOR RODS FOR POST PLATES.
6. PAYMENT FOR FENCE SHALL BE "INDUSTRIAL FENCE, 4.0 FEET HIGH, SPECIAL MOUNTING - PER LIN. FT.". THIS ITEM SHALL CONSIST OF FURNISHING AND PLACING THE FENCE, WHICH INCLUDES THE WIRE FABRIC, ALL THE PIPE, FRAMEWORK, ALL THE FASTENERS, PLATES, STRAPS AND CONNECTORS NECESSARY FOR THIS INSTALLATION, COMPLETE AND IN PLACE.
7. THE CONTRACTOR MAY SUBSTITUTE 5/8"Ø x 8" ALL THREADED, GALVANIZED A-36 ANCHOR RODS IN 1/16" x 6" DRILLED HOLES IN LIEU OF THE ANCHORAGE DETAILS SHOWN ON THIS SHEET. THIS ALTERNATE ANCHORAGE SYSTEM MUST BE EPOXIED IN WITH ONE OF THE APPROVED CONCRETE ANCHORING SYSTEMS IN THE ALDOT "MATERIALS, SOURCES AND DEVICES WITH SPECIAL ACCEPTANCE REQUIREMENTS" MANUAL, SECTION II-15. PULL OUT TEST MAY BE REQUIRED AT THE DISCRETION OF THE ENGINEER.

THESE DRAWINGS REPRESENT DESIGNS PREPARED FOR USE BY THE ALABAMA DEPARTMENT OF TRANSPORTATION AND ARE NOT TO BE COPIED, REPRODUCED, ALTERED, OR USED BY ANYONE OR ANY ORGANIZATION, WITHOUT THE EXPRESSED WRITTEN CONSENT OF THE ALABAMA DEPARTMENT OF TRANSPORTATION REPRESENTATIVE AUTHORIZED TO APPROVE SUCH USE. ANYONE MAKING UNAUTHORIZED USE OF THESE DRAWINGS MAY BE PROSECUTED TO THE FULLEST EXTENT OF THE LAW.

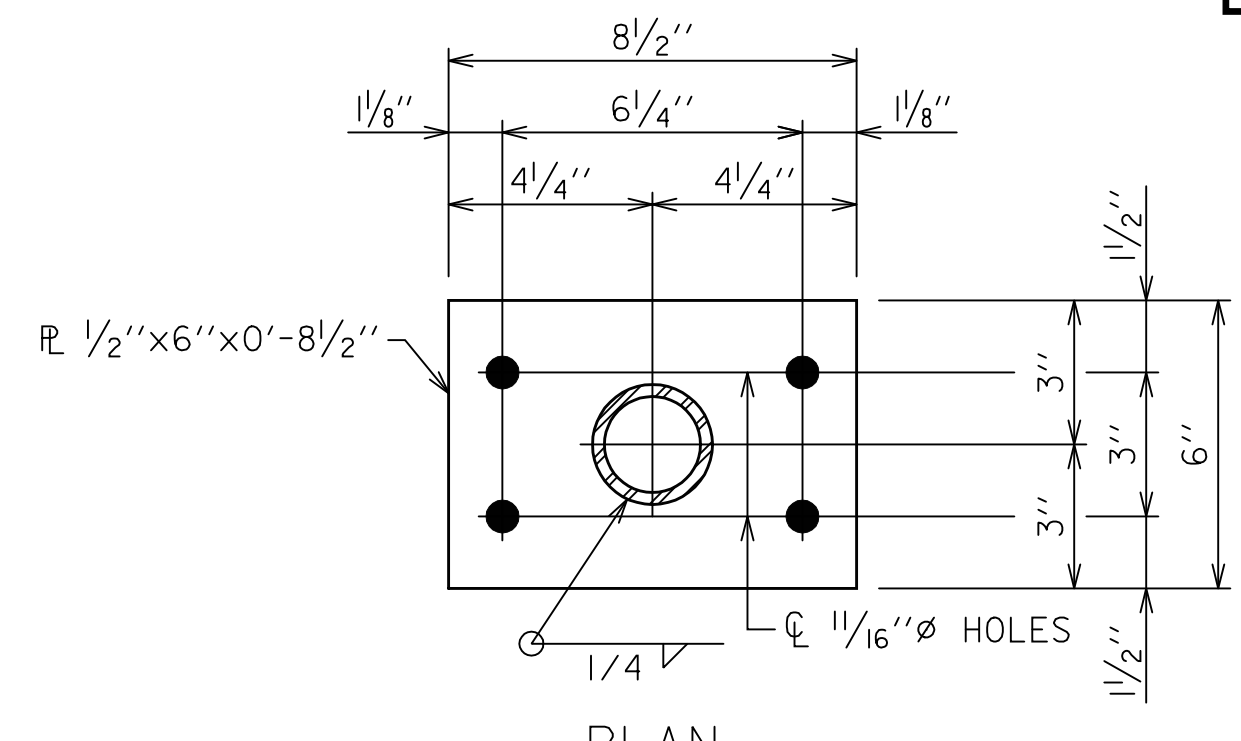
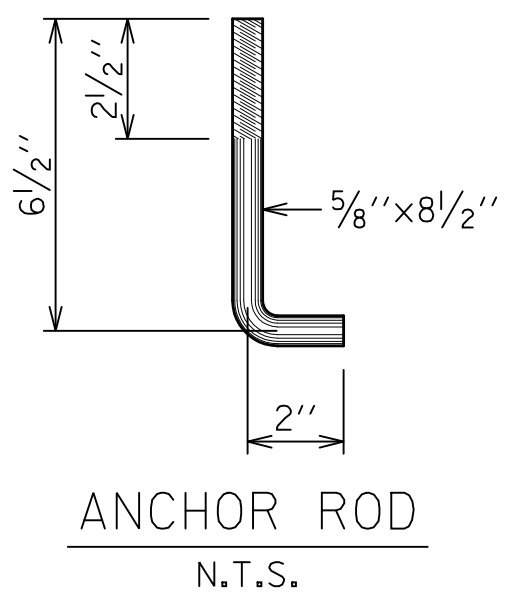
<b>ALABAMA DEPARTMENT OF TRANSPORTATION</b> THIS STANDARD TO BE USED WITH ANY OF THE FOLLOWING STANDARDS		STANDARD <b>INDUSTRIAL FENCE</b> <b>STANDARD DETAILS</b> <b>FOR BRIDGE SIDEWALKS</b>	
		ESTIMATED QUANTITIES COMPUTED BY: VERIFIED BY:	STANDARD DWG. NO. <b>IFS-4</b> SHEET NO. 1 OF 1
DESIGN SECTION SUPERVISOR ASSISTANT BRIDGE ENGINEER BRIDGE ENGINEER	CHECKED BY: M.J.H. DRAWN BY: V.T.W. DATE CHECKED: 9-29-03 DATE DRAWN: 9-29-03 SCALE:		

U:\Standards\Bridges\misc\2010\_StandardsBook\ifs4.dgn  
Plotted: 21-Aug-2009 11:33 AM

2"  
1"  
0



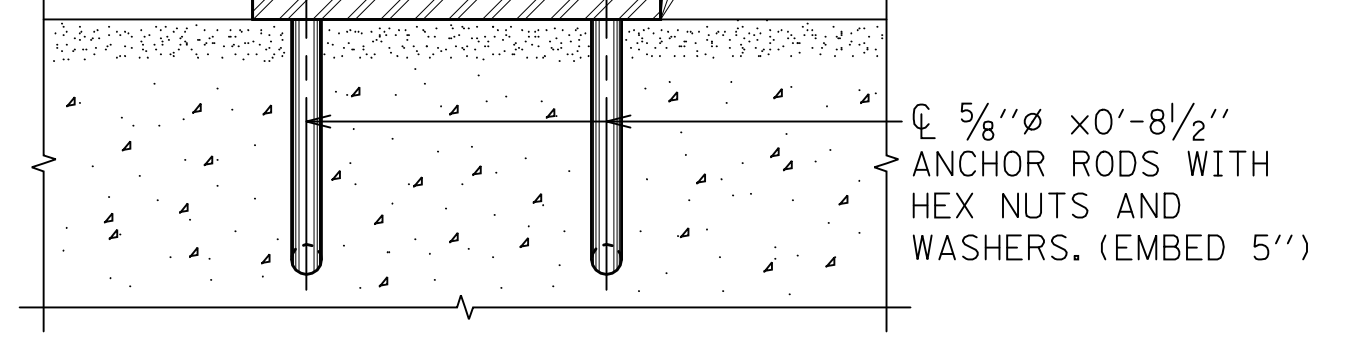
PLAN OF POST PLATES  
SCALE: 3/4"=1'-0"



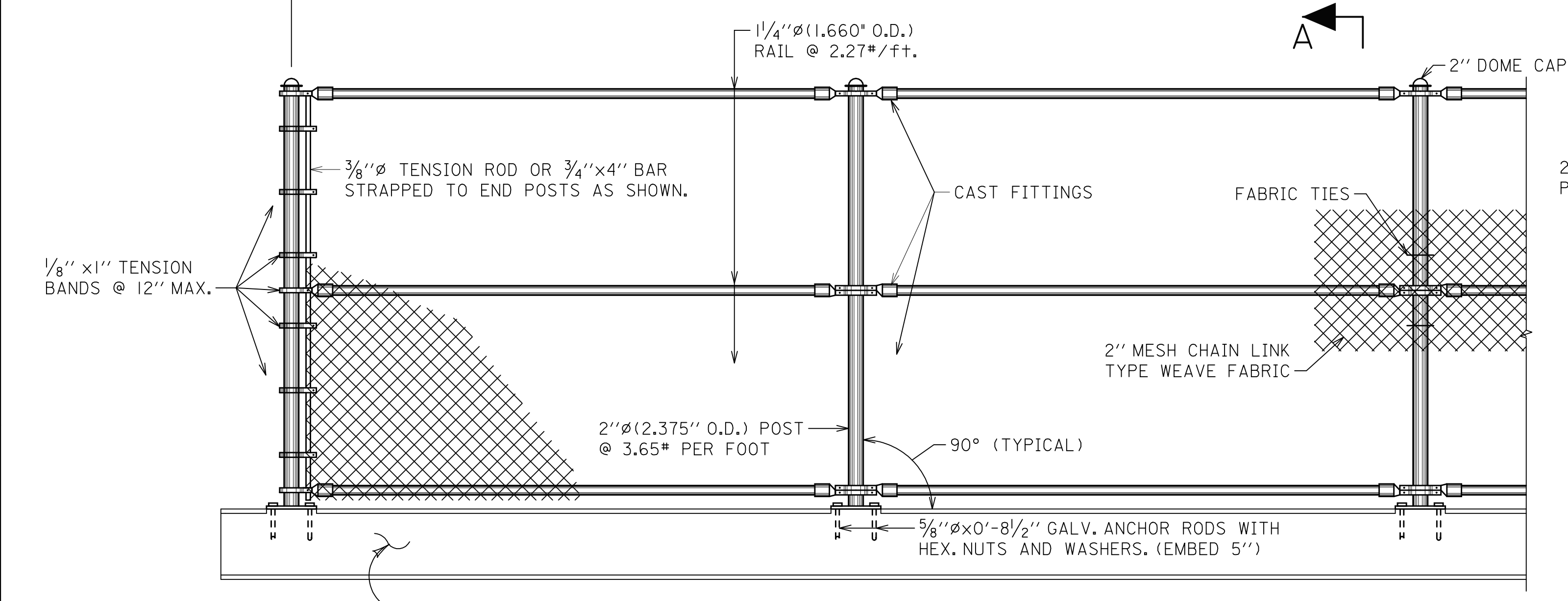
PLAN

2" (2.375" O.D.) POST @ 3.65# PER FOOT  
1/2" P TO BE SHOP WELDED WITH 1/4" FILLET WELD TO POST AND GALVANIZED AFTER WELDING.  
P 1/2" x 6" x 0'-8 1/2"

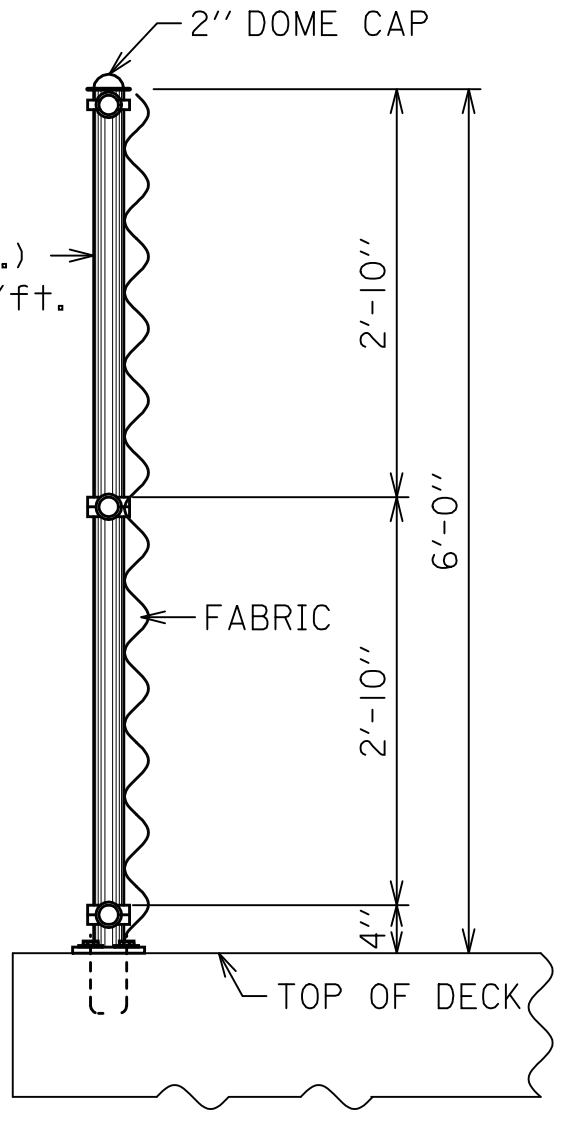
GALVANIZED BEVELED WASHERS SHALL BE PROVIDED AS SHIMS WHERE REQUIRED FOR PROPER POST ALIGNMENT. EPOXY CEMENT SHALL BE REQUIRED TO LEVEL CONCRETE UNDER POST P IF A GREATER THAN 1/8" THICK WASHER IS NEEDED TO ALIGN THE POSTS.



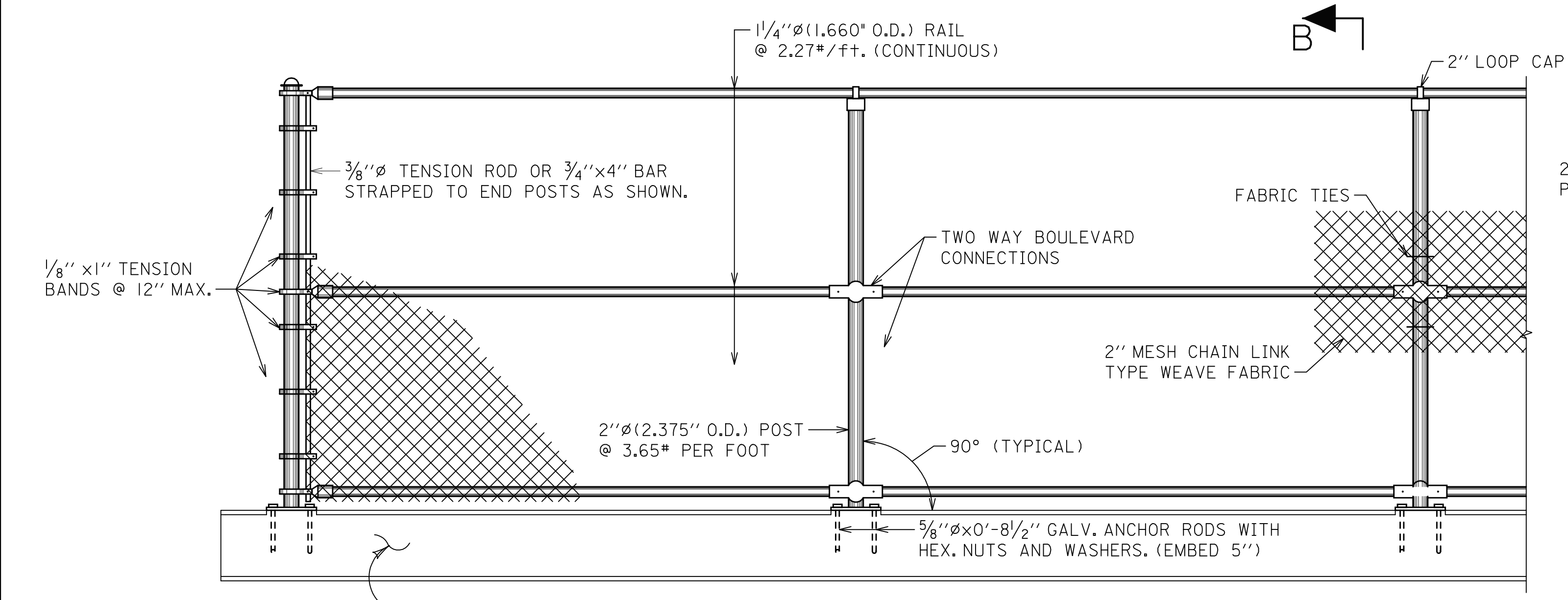
ELEVATION POST PLATE  
SCALE: 3"=1'-0"



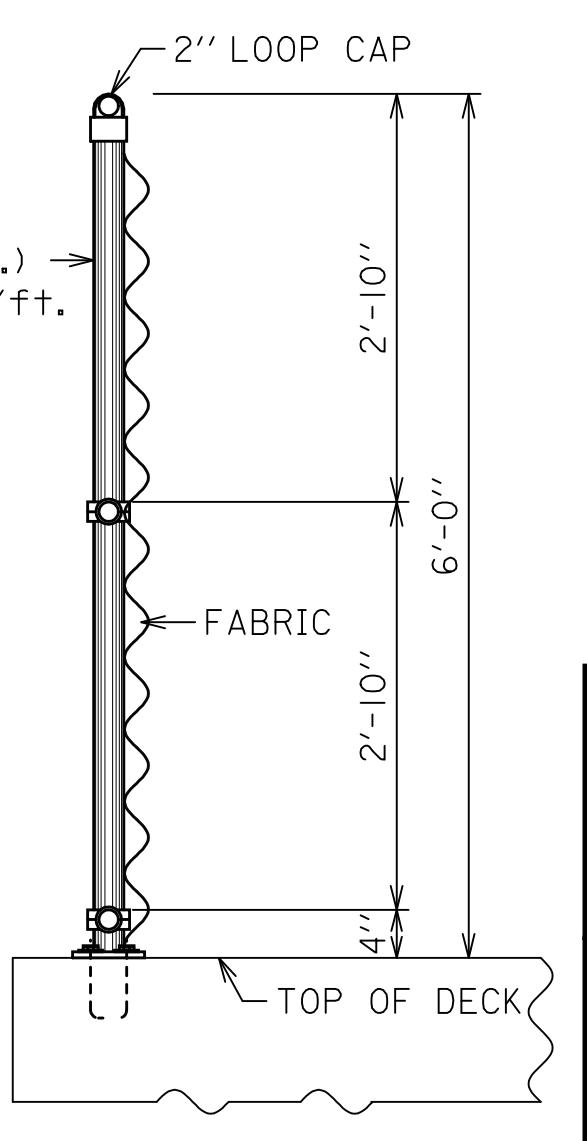
ELEVATION OF FENCE  
SCALE: 3/4"=1'-0"



SECTION A-A  
SCALE: 3/4"=1'-0"



ELEVATION OF FENCE (OPTIONAL)  
SCALE: 3/4"=1'-0"



SECTION B-B  
SCALE: 3/4"=1'-0"

- GENERAL NOTES**
1. ALL POST AND FRAMES TO BE SET AS SHOWN IN ELEVATION VIEWS ON THIS SHEET.
  2. FABRIC SHALL BE FASTENED TO LINE POSTS WITH PROPER TIES SPACED APPROX. 12" APART. FABRIC SHALL BE ATTACHED TO RAILS WITH PROPER TIES SPACED APPROX. 15" APART.
  3. ALL ROUGH EDGES OF FABRIC OR TIE TWIST ENDS SHALL BE BENT BACK AWAY FROM PEDESTRIAN SIDE OF WALKWAYS.
  4. ALL MATERIALS FOR FENCE SHALL BE IN ACCORDANCE WITH THE ALABAMA DEPARTMENT OF TRANSPORTATION STANDARD SPECIFICATIONS SECTION 871. ALL MISCELLANEOUS STEEL, SEE SUB-ARTICLE 634.02(b).
  5. TEMPLATES, SUPPLIED BY THE MATERIALS MANUFACTURER, SHALL BE USED TO PLACE ALL 5/8" ANCHOR RODS FOR POST PLATES.
  6. PAYMENT FOR FENCE SHALL BE "INDUSTRIAL FENCE, 6.0 FEET HIGH, SPECIAL MOUNTING - PER LIN. FT.". THIS ITEM SHALL CONSIST OF FURNISHING AND PLACING THE FENCE, WHICH INCLUDES THE WIRE FABRIC, ALL THE PIPE, FRAMEWORK, ALL THE FASTENERS, PLATES, STRAPS AND CONNECTORS NECESSARY FOR THIS INSTALLATION, COMPLETE AND IN PLACE.
  7. THE CONTRACTOR MAY SUBSTITUTE 5/8" x 8" ALL THREADED, GALVANIZED A-36 ANCHOR RODS IN 1/16" x 6" DRILLED HOLES IN LIEU OF THE ANCHORAGE DETAILS SHOWN ON THIS SHEET. THIS ALTERNATE ANCHORAGE SYSTEM MUST BE EPOXIED IN WITH ONE OF THE APPROVED CONCRETE ANCHORING SYSTEMS IN THE ALDOT "MATERIALS, SOURCES AND DEVICES WITH SPECIAL ACCEPTANCE REQUIREMENTS" MANUAL, SECTION II-15. PULL OUT TEST MAY BE REQUIRED AT THE DISCRETION OF THE ENGINEER.

THESE DRAWINGS REPRESENT DESIGNS PREPARED FOR USE BY THE ALABAMA DEPARTMENT OF TRANSPORTATION AND ARE NOT TO BE COPIED, REPRODUCED, ALTERED, OR USED BY ANYONE OR ANY ORGANIZATION, WITHOUT THE EXPRESSED WRITTEN CONSENT OF THE ALABAMA DEPARTMENT OF TRANSPORTATION REPRESENTATIVE AUTHORIZED TO APPROVE SUCH USE. ANYONE MAKING UNAUTHORIZED USE OF THESE DRAWINGS MAY BE PROSECUTED TO THE FULLEST EXTENT OF THE LAW.

<b>ALABAMA DEPARTMENT OF TRANSPORTATION</b> THIS STANDARD TO BE USED WITH ANY OF THE FOLLOWING STANDARDS		<b>STANDARD INDUSTRIAL FENCE STANDARD DETAILS FOR BRIDGE SIDEWALKS</b>	
		ESTIMATED QUANTITIES COMPUTED BY: VERIFIED BY:	STANDARD DWG. NO. <b>IFS-5</b> SHEET NO. 1 OF 1
DESIGN SECTION SUPERVISOR	ASSISTANT BRIDGE ENGINEER	CHECKED BY: M.J.H.	DRAWN BY: VTW
BRIDGE ENGINEER		DATE CHECKED: 9-30-03	DATE DRAWN: 9-29-03

U:\Standards\Bridges\misc\misc2010\_StandardsBook\ifs.dgn

Plotted: 21-Aug-2009 11:35 AM