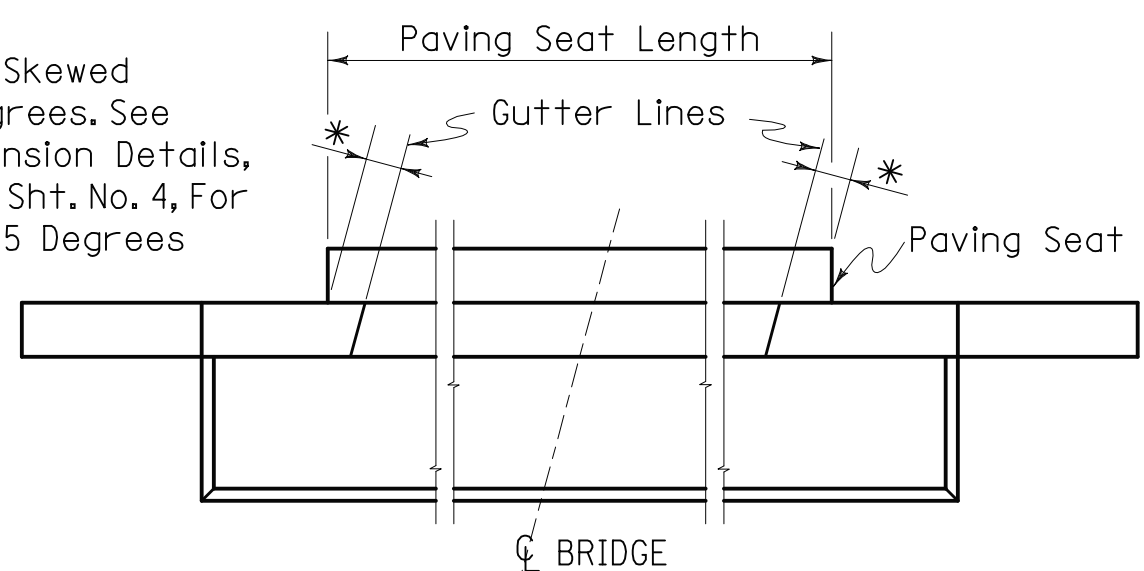
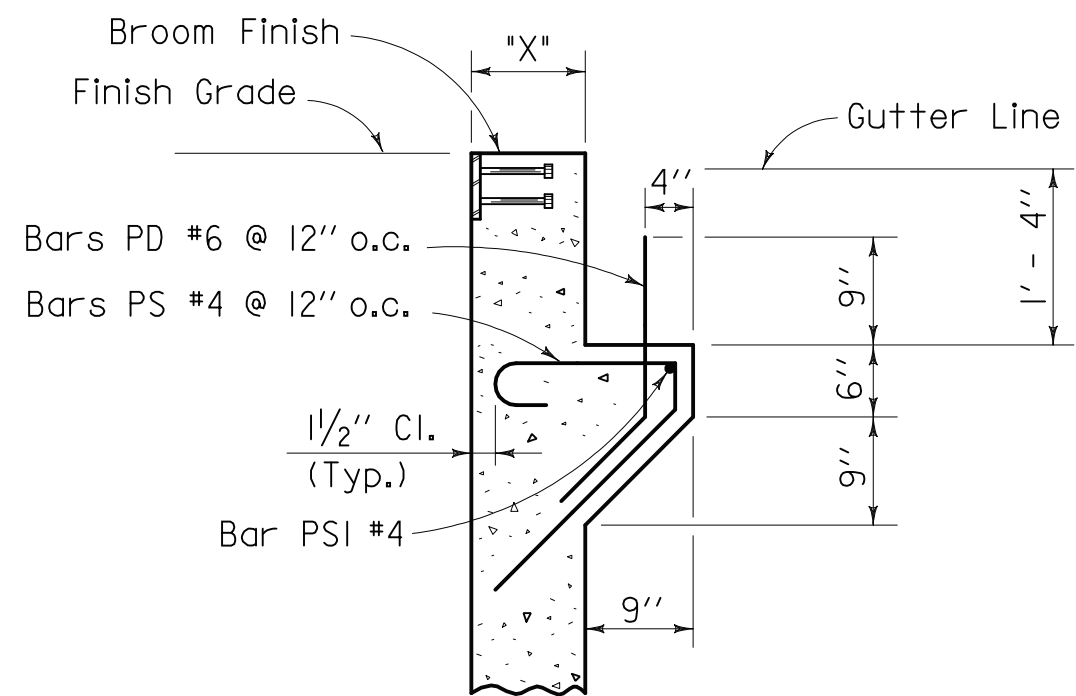


ABUTMENT PLAN - NO SKEW

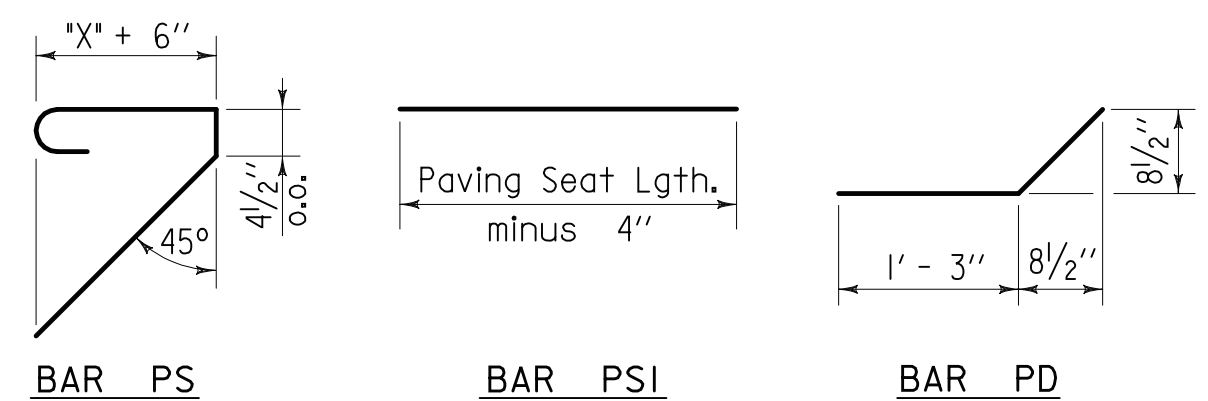


ABUTMENT PLAN - ON SKEW

* Note: 6" For Bridges Skewed Less Than 15 Degrees. See Barrier Rail Extension Details, On Std. Dwg. I-131 Sht. No. 4, For Bridges Skewed 15 Degrees And Greater.

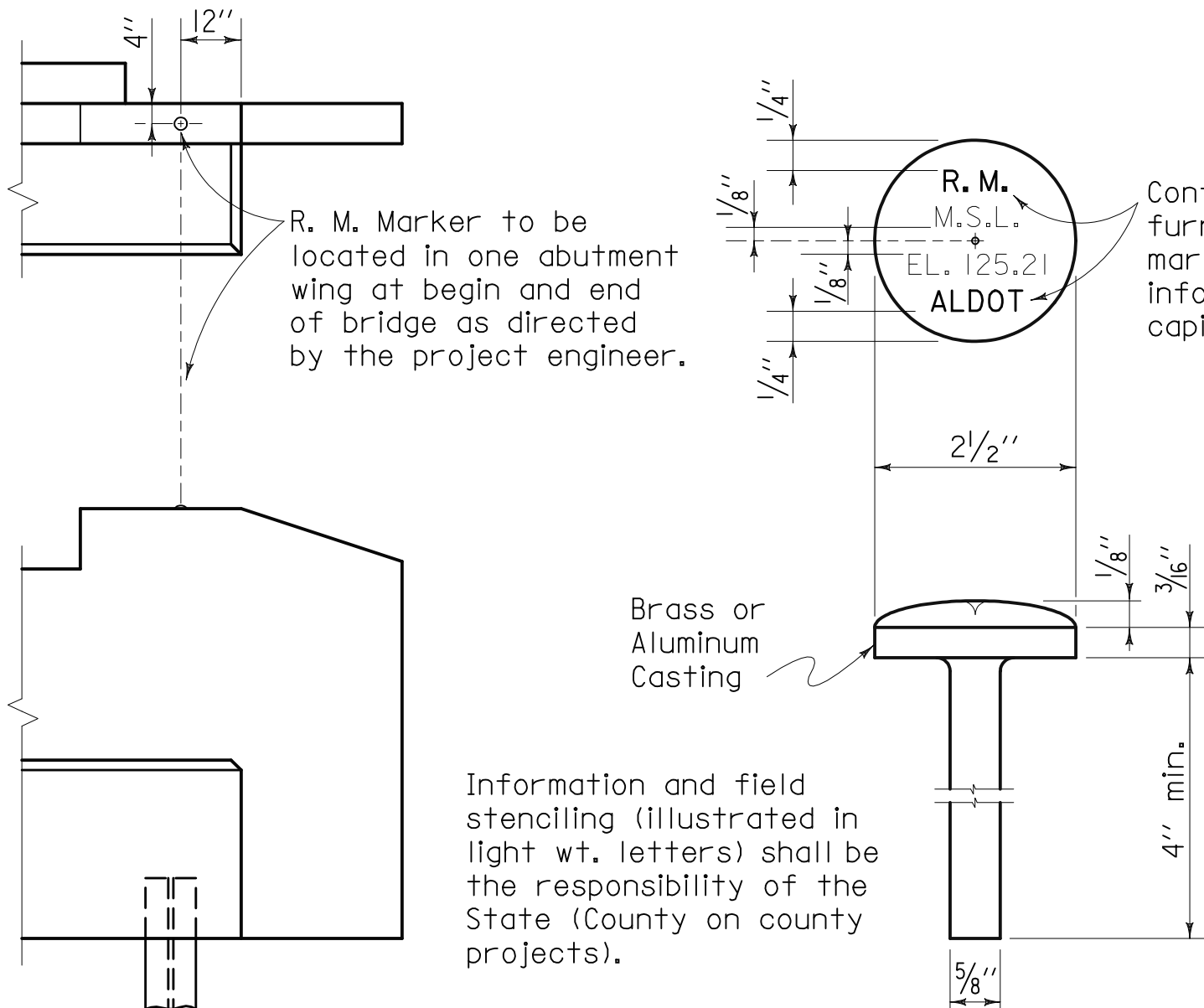


SECTION B - B



BAR PS BAR PSI BAR PD

PAVING SEAT DETAILS



PERMANENT REFERENCE MARK DETAIL

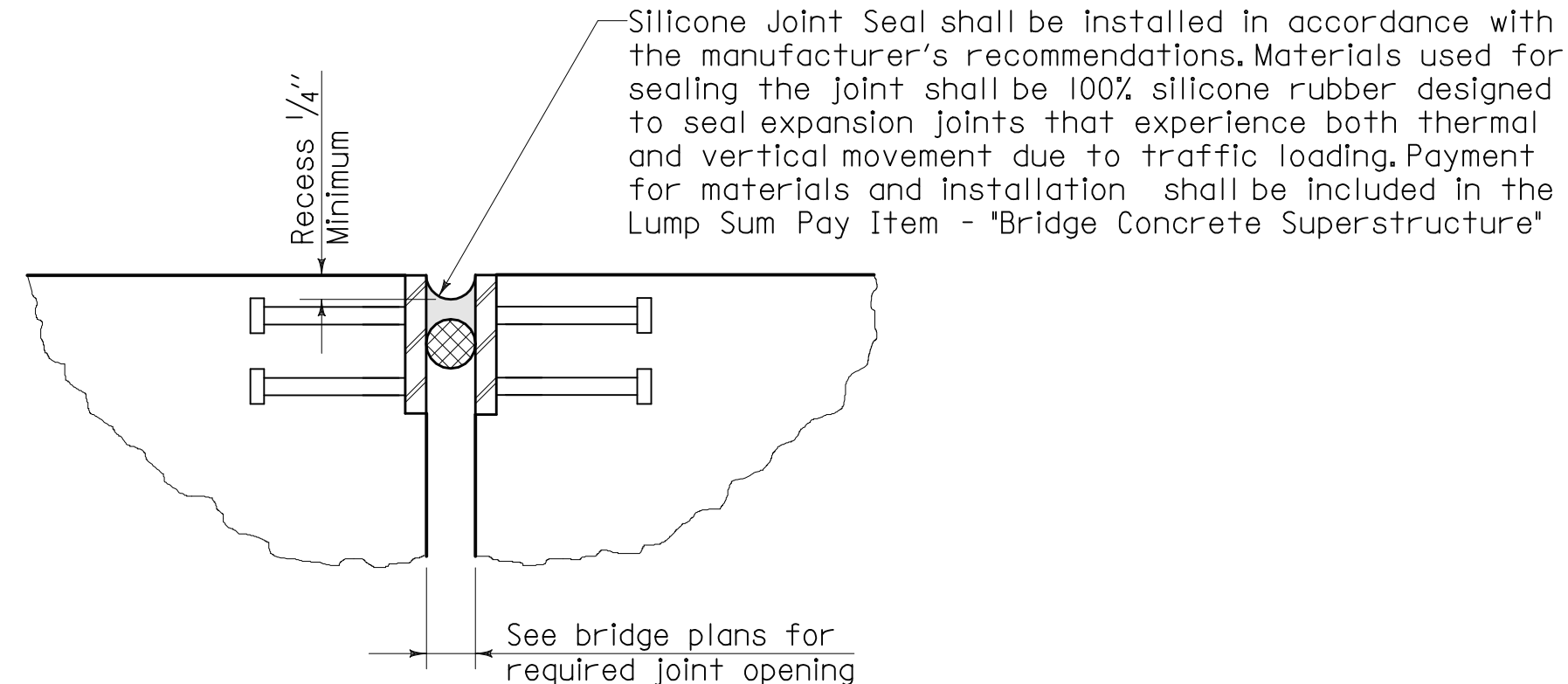
Contractor shall furnish and install marker with shown information in 1/4" capital letters.

NOTE: Brass marker to be cast in one piece, out of leaded semi-red brass ASTM B-584 alloy 848 or approved equal. Aluminum disc shall be aluminum alloy CS 208 in accordance with ASTM B-26 or approved equal.

Information and field stenciling (illustrated in light wt. letters) shall be the responsibility of the State (County on county projects).

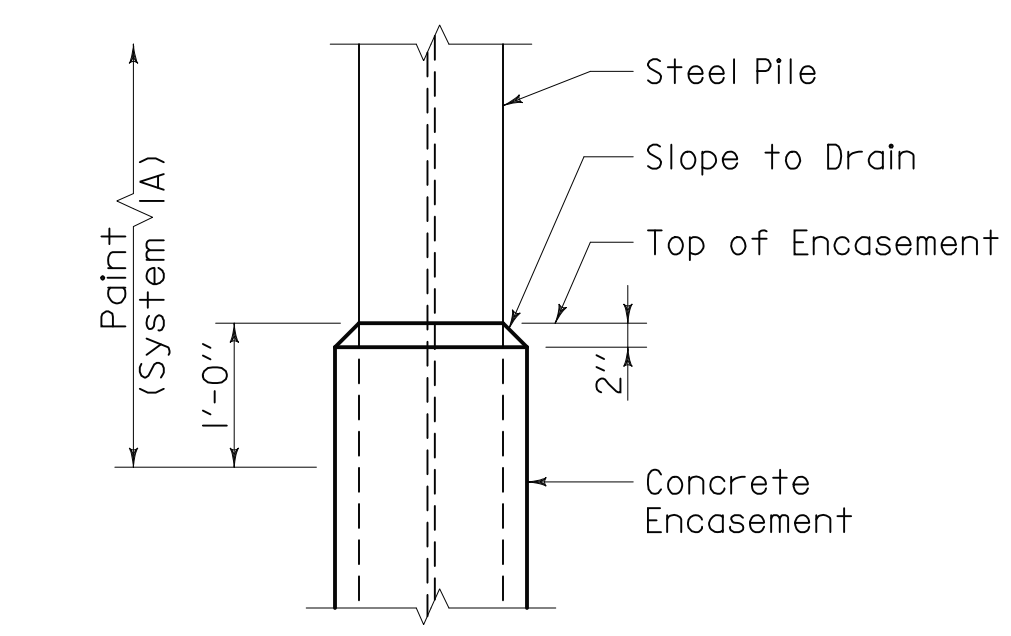
PILE PAINTING DETAIL NOTES

1. The System IA Intermediate and Top Coat may be omitted whenever Concrete Encasement extends to within 6" from bottom of cap.
2. Hatched Surface (1'-0" above & below top of encasement) shall receive a SSPC SP6 Surface Preparation prior to being coated with an approved Galv.Repair Paint that satisfies the requirements of sub-article 855.15 of the Standard Specifications.
3. Surface Preparation and Painting for Pile and Sway Bracing shall be Field Applied.

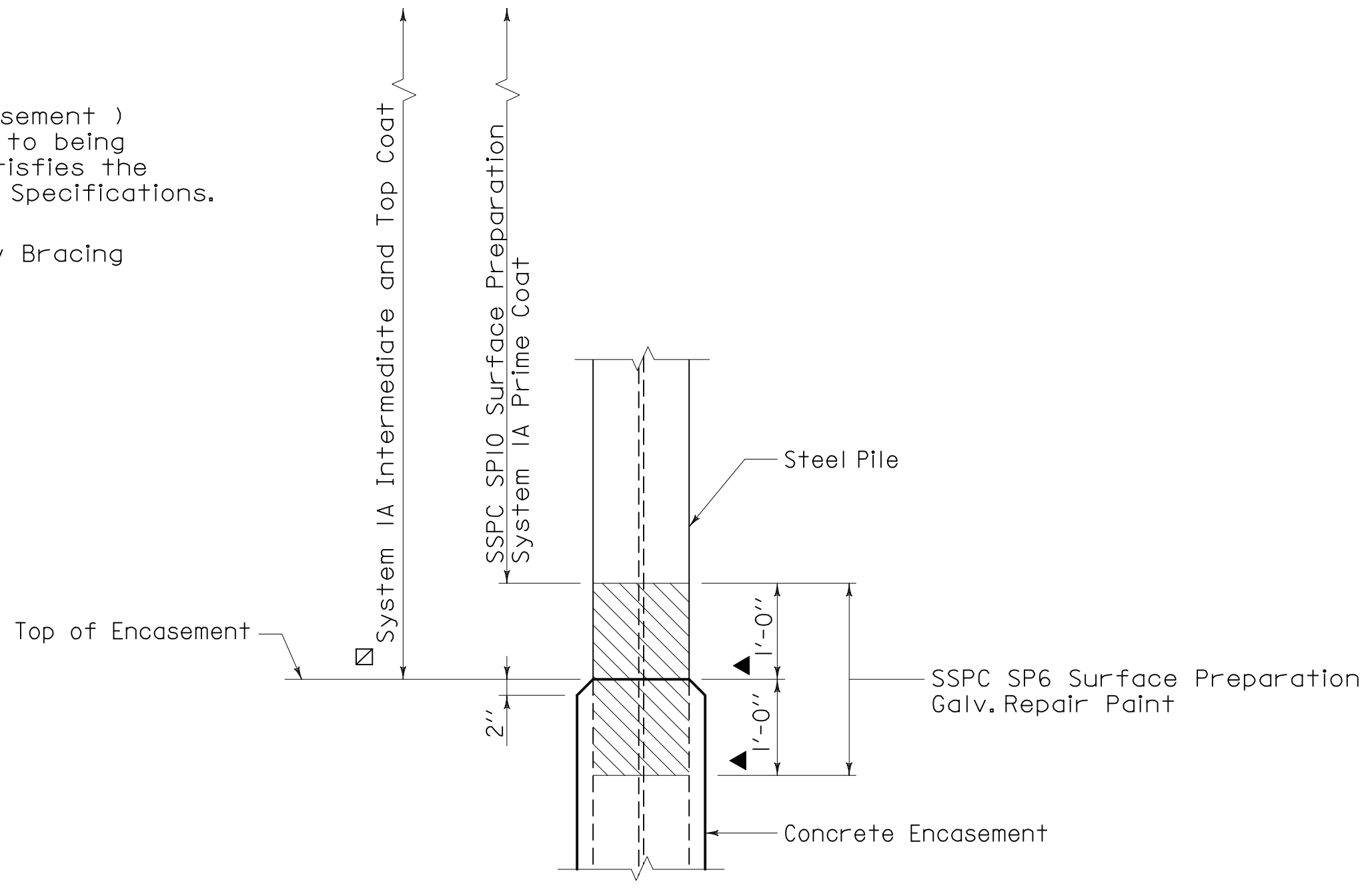


JOINT SEAL DETAIL

Silicone Joint Seal shall be installed in accordance with the manufacturer's recommendations. Materials used for sealing the joint shall be 100% silicone rubber designed to seal expansion joints that experience both thermal and vertical movement due to traffic loading. Payment for materials and installation shall be included in the Lump Sum Pay Item - "Bridge Concrete Superstructure"



PILE PAINTING DETAIL (OPTION "A")



PILE PAINTING DETAIL (OPTION "B")

THESE DRAWINGS REPRESENT DESIGNS PREPARED FOR USE BY THE ALABAMA DEPARTMENT OF TRANSPORTATION AND ARE NOT TO BE COPIED, REPRODUCED, ALTERED, OR USED BY ANYONE OR ANY ORGANIZATION, WITHOUT THE EXPRESSED WRITTEN CONSENT OF THE ALABAMA DEPARTMENT OF TRANSPORTATION REPRESENTATIVE AUTHORIZED TO APPROVE SUCH USE. ANYONE MAKING UNAUTHORIZED USE OF THESE DRAWINGS MAY BE PROSECUTED TO THE FULLEST EXTENT OF THE LAW.

ALABAMA DEPARTMENT OF TRANSPORTATION

THIS STANDARD TO BE USED WITH ANY OF THE FOLLOWING STANDARDS

STANDARD FOR STANDARD DETAILS

REVISIONS
1. Revised Pile Painting Detail Notes. 06-22-09 L.E.D.

DESIGN SECTION SUPERVISOR
ASSISTANT BRIDGE ENGINEER
BRIDGE ENGINEER

CHECKED BY:	DRAWN BY: Ronald Todd
DATE CHECKED: 10-14-05	DATE DRAWN:

ESTIMATED QUANTITIES	STANDARD DWG. NO.
COMPUTED BY:	I-131
VERIFIED BY:	
DESIGNED BY:	
SCALE:	SHEET NO. 2 OF 8

U:\Standards\Bridges\uscustmisc\2010 StandardsBook\131.dgn Plotted: 21-Aug-2009 11:27 AM