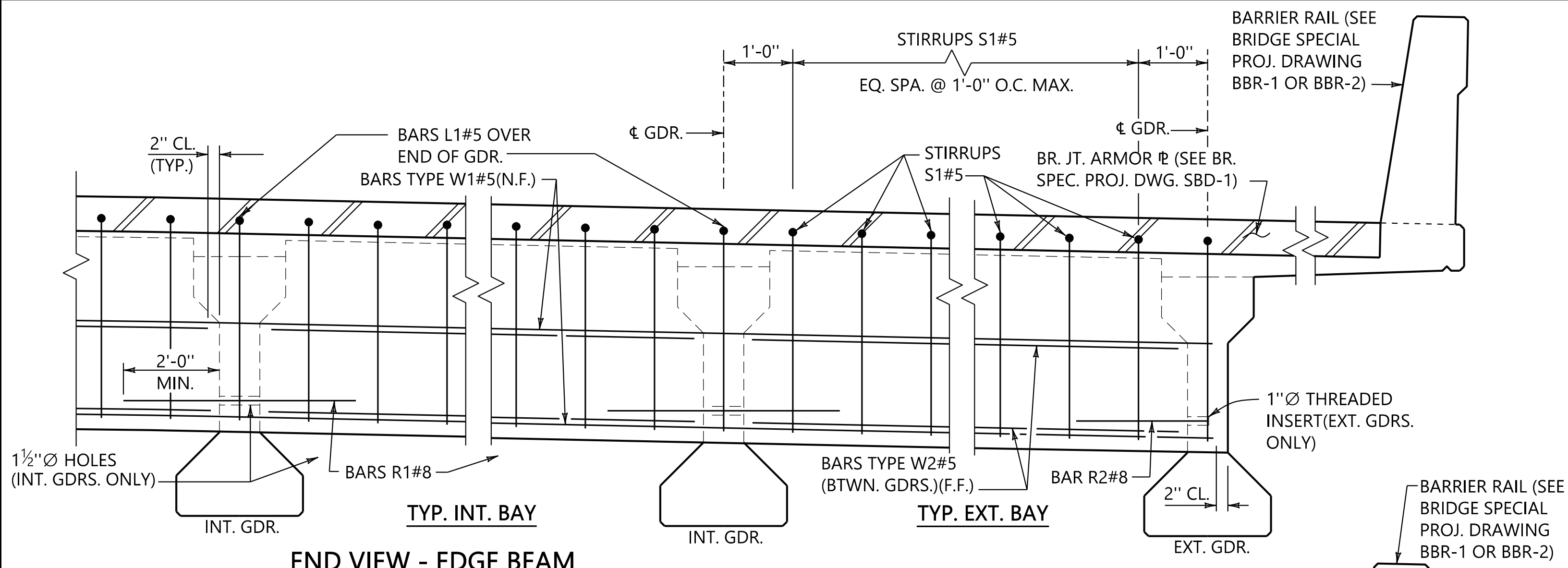
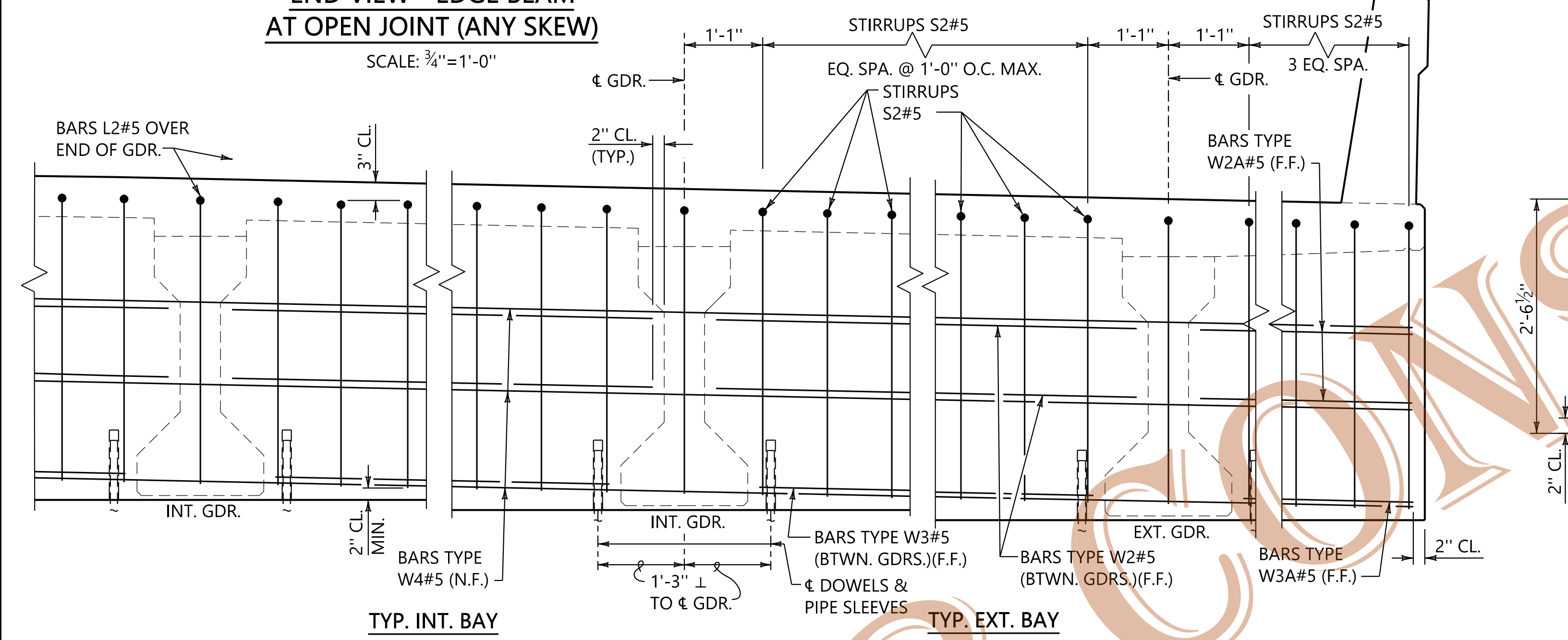


PLOTTED: 14-Mar-24 at 09:11
 \\brvms002\bridge\standards\special\bridge\special DGN Files\2024 DGN\2 Details for Edge Beams & End Walls\URFD Standard Edge Beam End Wall Details 3.dgn
 SHEET REFERENCE
 0 1" 2"

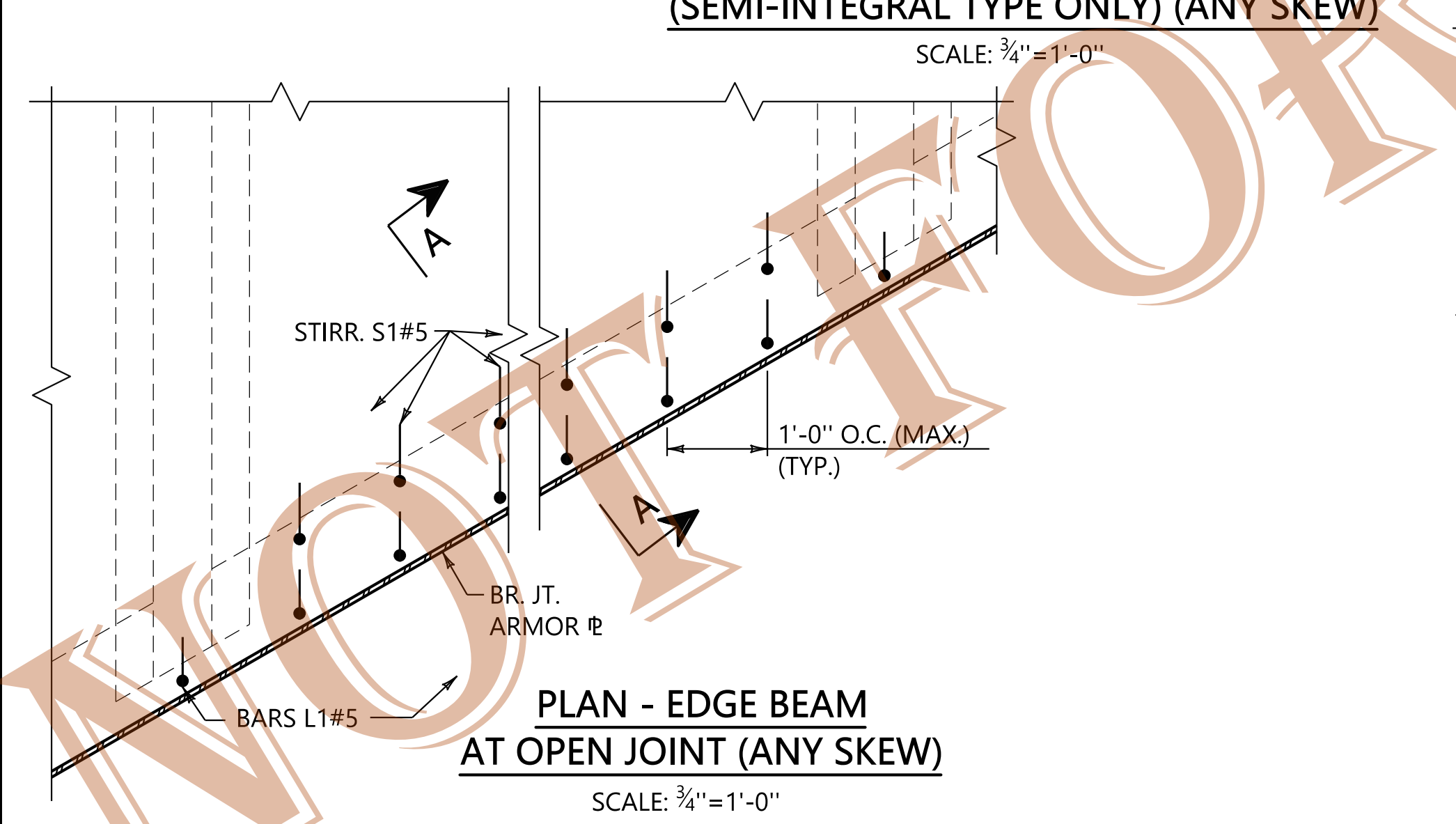
REFERENCE PROJECT NUMBER	FISCAL YEAR	SHEET NUMBER
--------------------------	-------------	--------------



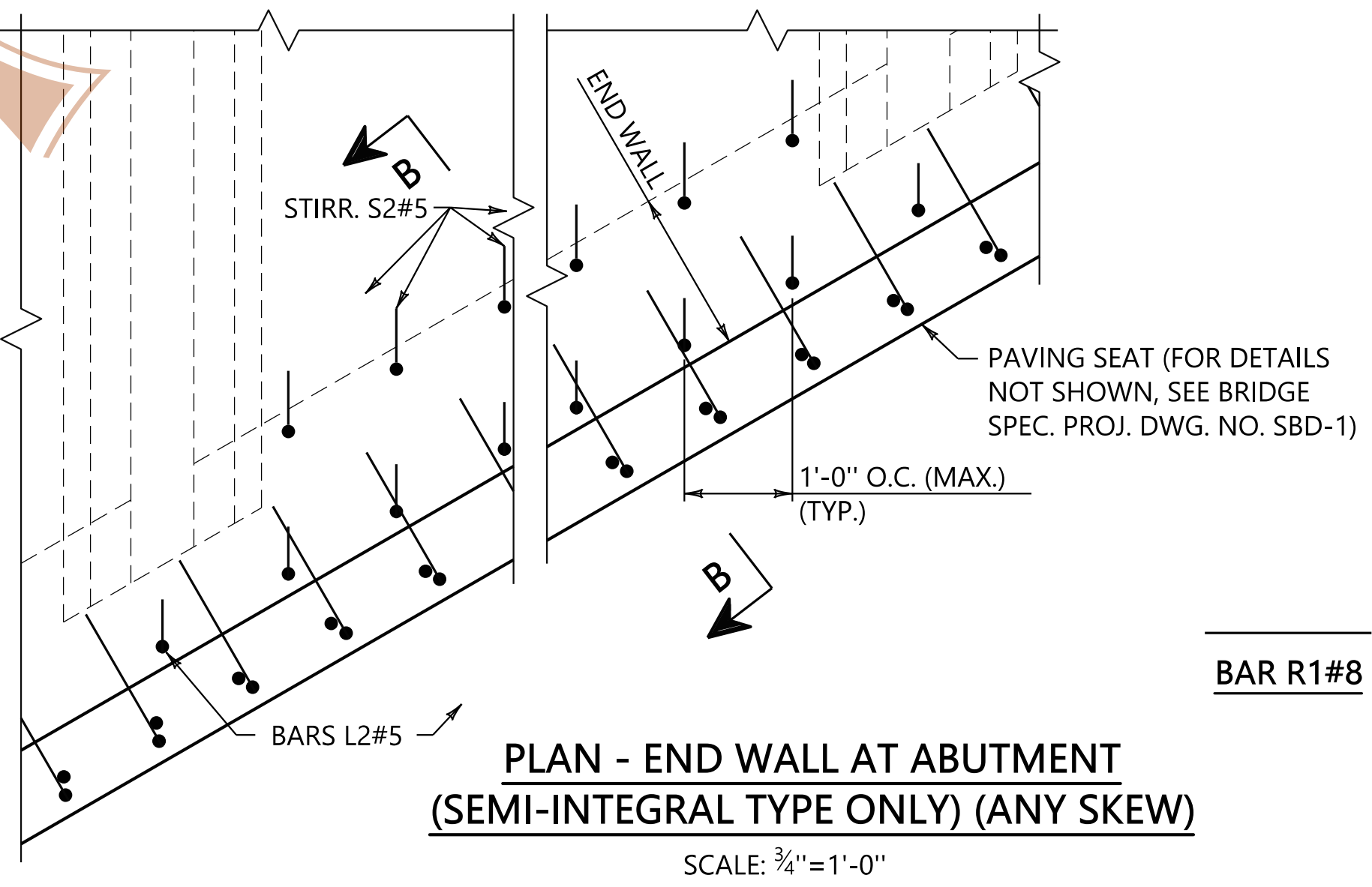
END VIEW - EDGE BEAM AT OPEN JOINT (ANY SKEW)
SCALE: 3/4"=1'-0"



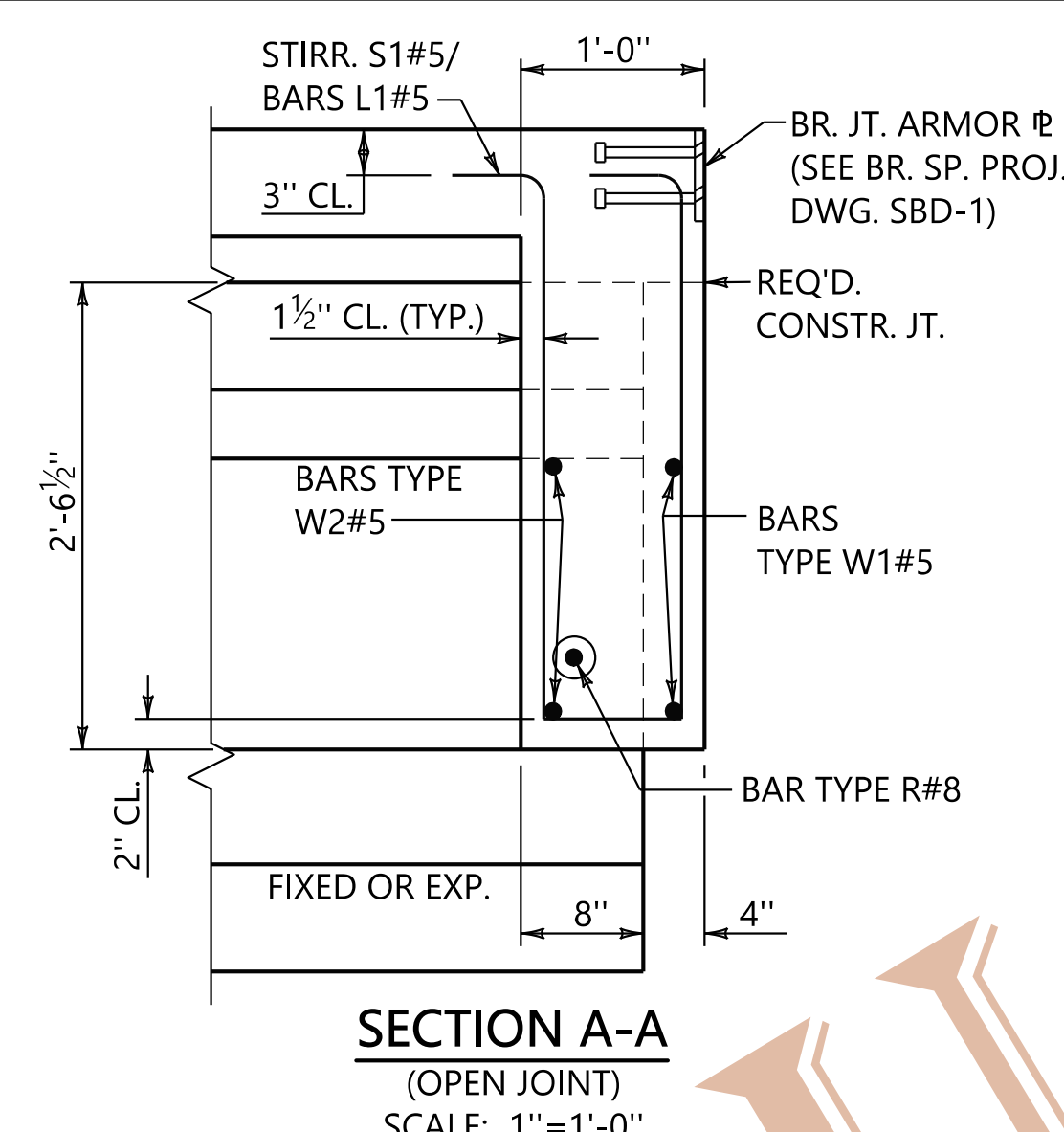
END VIEW - END WALL AT ABUTMENT (SEMI-INTEGRAL TYPE ONLY) (ANY SKEW)
SCALE: 3/4"=1'-0"



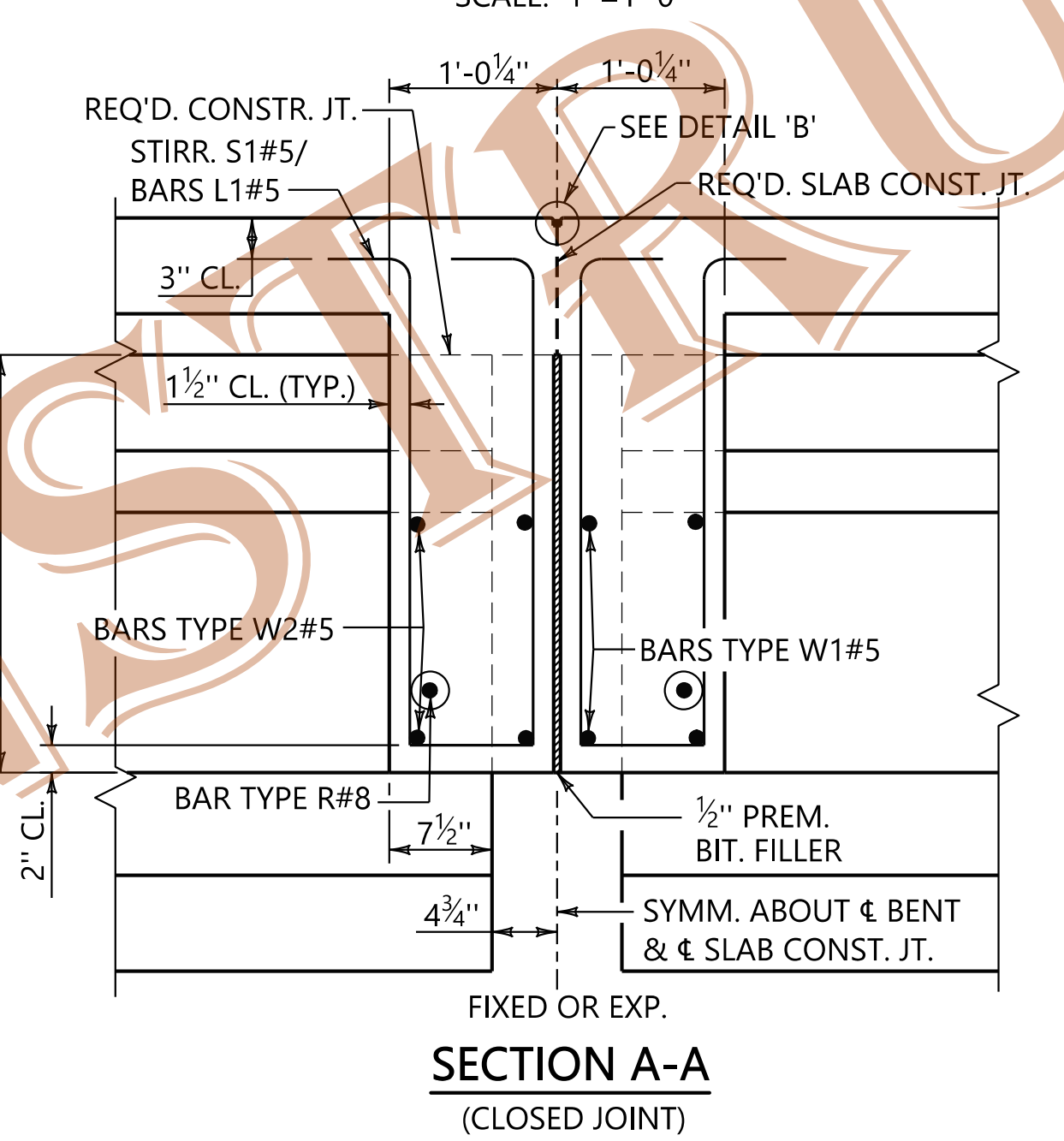
PLAN - EDGE BEAM AT OPEN JOINT (ANY SKEW)
SCALE: 3/4"=1'-0"



PLAN - END WALL AT ABUTMENT (SEMI-INTEGRAL TYPE ONLY) (ANY SKEW)
SCALE: 3/4"=1'-0"



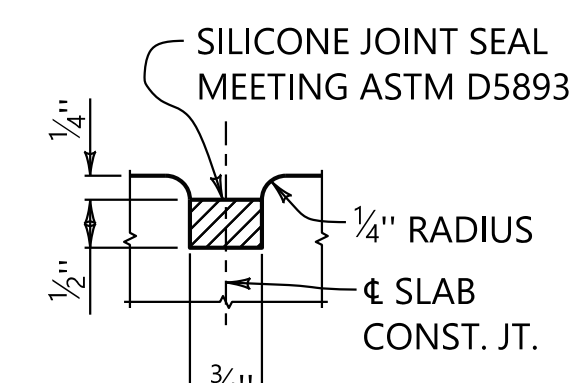
SECTION A-A (OPEN JOINT)
SCALE: 1"=1'-0"



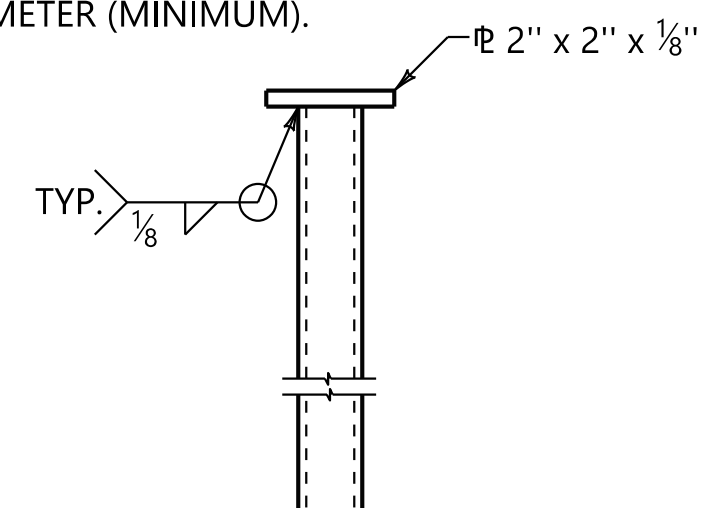
SECTION A-A (CLOSED JOINT)
SCALE: 1"=1'-0"

NOTES

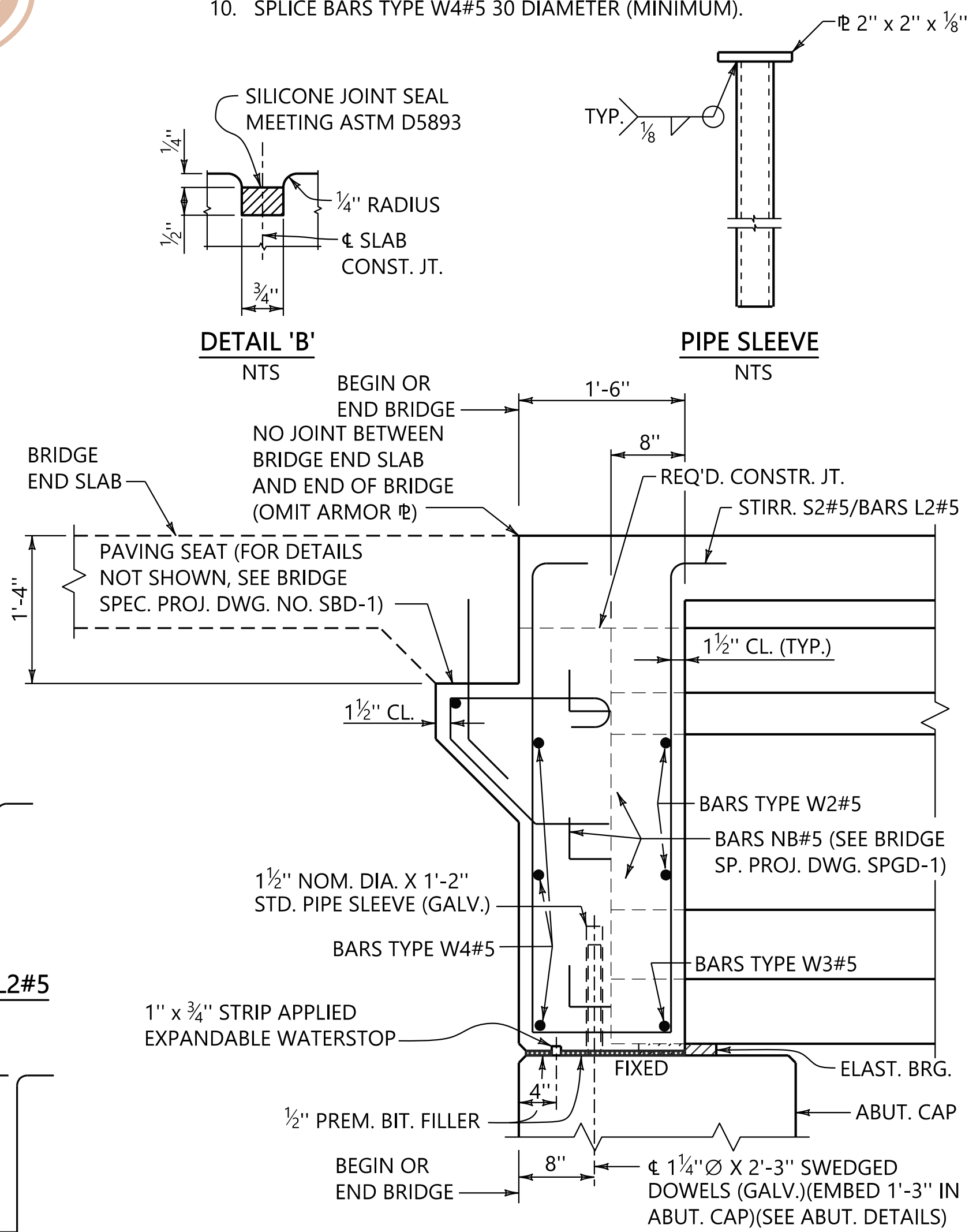
- FOR EDGE BEAM AT CLOSED JOINTS (CONTINUOUS DECK): END VIEW AND PLAN SAME EXCEPT OMIT ARMOR PLATE. DO NOT COAT REQUIRED SLAB CONSTRUCTION JOINT WITH EPOXY ADHESIVE PRIOR TO NEXT POUR. STOP DECK GROOVING 6" MINIMUM FROM CLOSED JOINT.
- WHEN BRIDGE SPECIAL PROJECT DRAWING BBR-2 IS USED, VIEW AT ABUTMENT IS SAME EXCEPT FOR BARRIER RAIL TRANSITION.
- FOR DETAILS NOT SHOWN IN PLAN VIEW, SEE END VIEW.
- PAVING SEAT NOT SHOWN FOR CLARITY IN END VIEW OF END WALL.
- COST OF WATER STOPS, JOINT SEALER AND 1/2" PREMOLDED BITUMINOUS FILLER SHALL BE INCLUDED IN PAY ITEM 510C - BRIDGE CONCRETE SUPERSTRUCTURE.
- COST OF PIPE SLEEVES AND SWEDGED DOWELS SHALL BE INCLUDED IN PAY ITEM 508A - STRUCTURAL STEEL. SHOP DRAWINGS PER THE STANDARD SPECIFICATIONS ARE REQUIRED.
- AT THE CONTRACTOR'S OPTION, THE 2" x 2" x 1/8" PLATE MAY BE REPLACED WITH A POLYETHYLENE CAP OR INSERT TO SEAL THE END OF THE PIPE SLEEVE. THE CAP OR PLUG SEAL SHALL BE SECURED TO THE PIPE SLEEVES PRIOR TO SHIPMENT BY WRAPPING WITH DUCT TAPE. PAYMENT FOR POLYETHYLENE CAP OR INSERT AND DUCT TAPE SHALL BE INCLUDED IN PAY ITEM 508A - STRUCTURAL STEEL.
- SEE BRIDGE PLANS FOR DETAILS OF STIRRUPS TYPE S, BARS TYPE L, BARS R1 AND BARS R2.
- SPLICE BARS TYPE W1#5 30 DIAMETER (MINIMUM).
- SPLICE BARS TYPE W4#5 30 DIAMETER (MINIMUM).



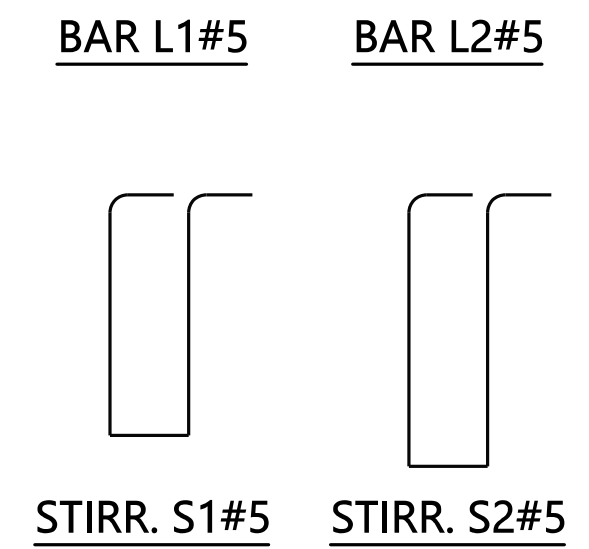
DETAIL 'B'
NTS



PIPE SLEEVE
NTS



SECTION B-B
SCALE: 1"=1'-0"



ASSISTANT BRIDGE ENGINEER <i>J. Walker</i> 3/14/2024 DATE	BRIDGE ENGINEER <i>W. C. ...</i> 3/14/24 DATE
---	---

REVISIONS

REVISED NOTES TO REMOVE SYMBOLS, REMOVED GIRDER INSERT DIMENSIONING AND ADDED WEBWALL HEIGHT DIMENSION TO ALLOW USE WITH ALL AASHTO TYPE III SHAPES.	JNW 1/2024
--	------------

THIS BRIDGE SPECIAL PROJECT DRAWING FOR USE ONLY ON:
PROJECT NO. _____
COUNTY(S) _____

THESE DRAWINGS REPRESENT DESIGNS PREPARED FOR USE BY THE ALABAMA DEPARTMENT OF TRANSPORTATION AND ARE NOT TO BE COPIED, REPRODUCED, ALTERED, OR USED BY ANYONE, OR ANY ORGANIZATION, WITHOUT THE EXPRESSED WRITTEN CONSENT OF THE ALABAMA DEPARTMENT OF TRANSPORTATION REPRESENTATIVE AUTHORIZED TO APPROVE SUCH USE. ANYONE MAKING UNAUTHORIZED USE OF THESE DRAWINGS MAY BE PROSECUTED TO THE FULLEST EXTENT OF THE LAW.

UNIFORM DETAILS FOR EDGE BEAMS AND END WALLS FOR USE WITH AASHTO TYPE III GIRDER SHAPES

BRIDGE SPECIAL PROJECT DRAWING EBEW3	SHEET 1 OF 1
--	-----------------