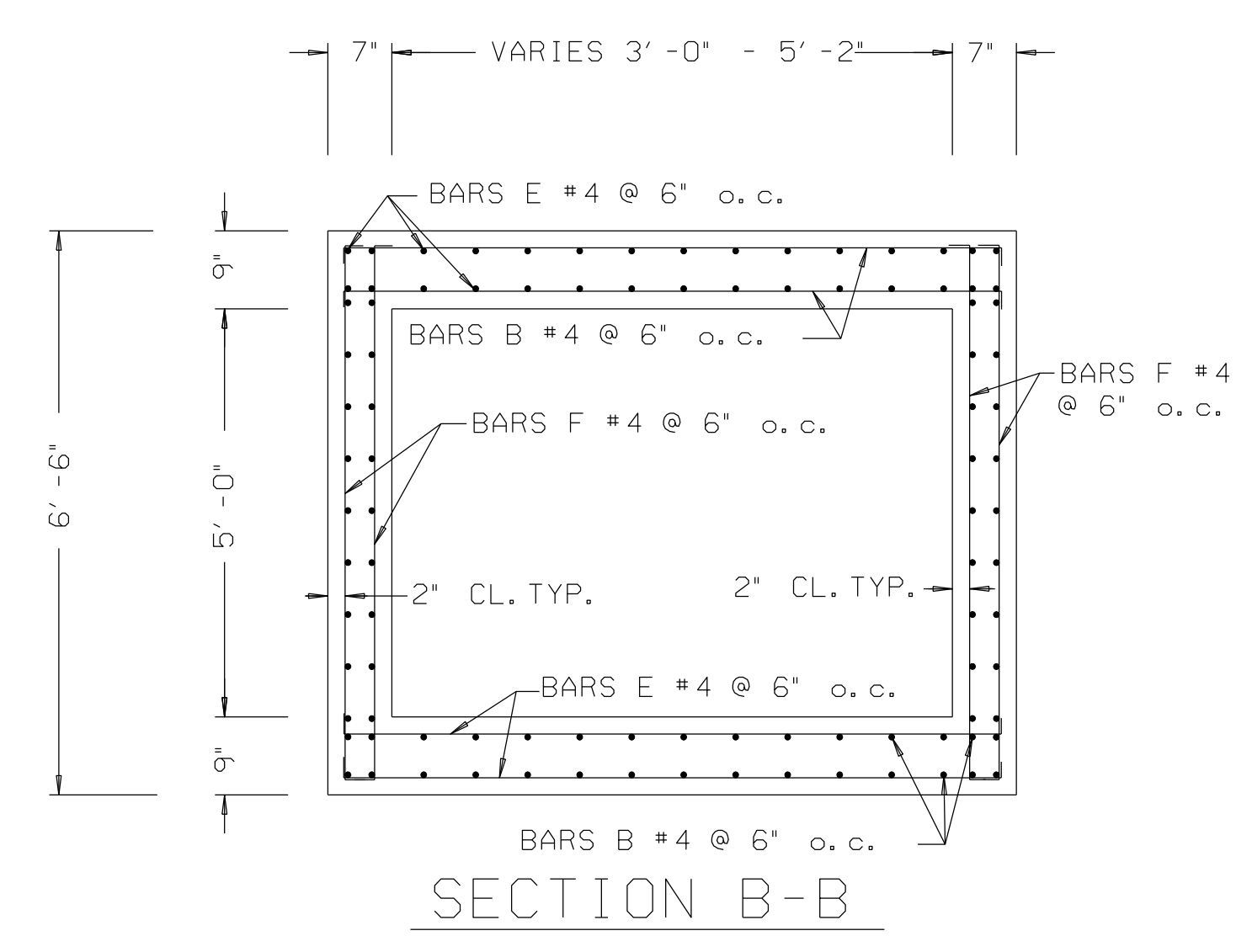
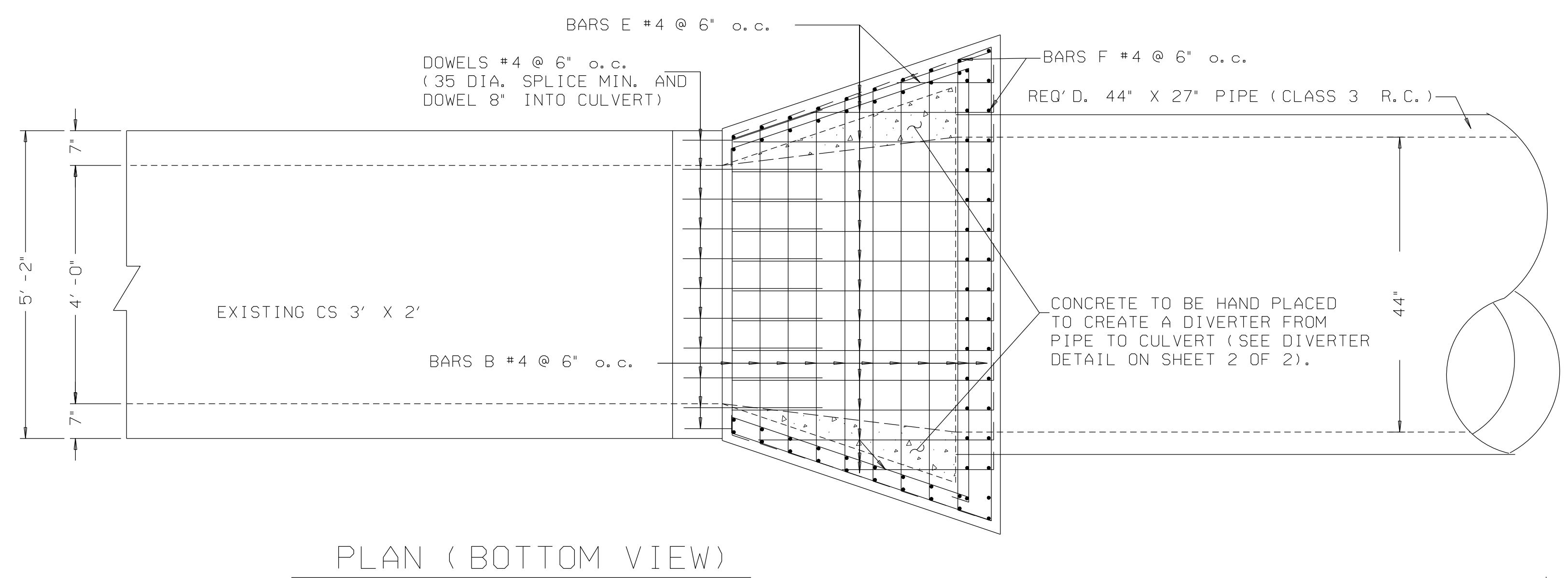
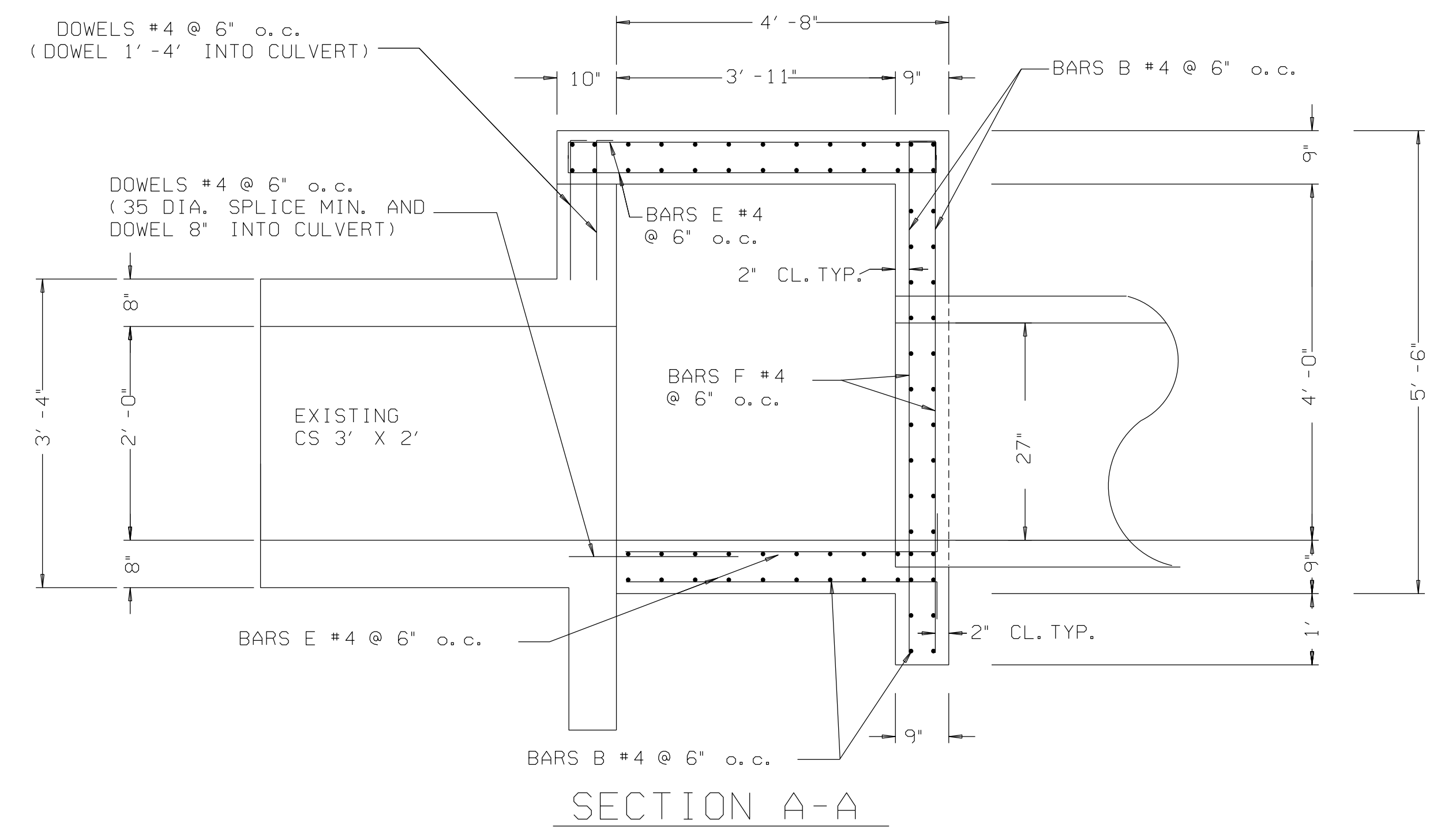
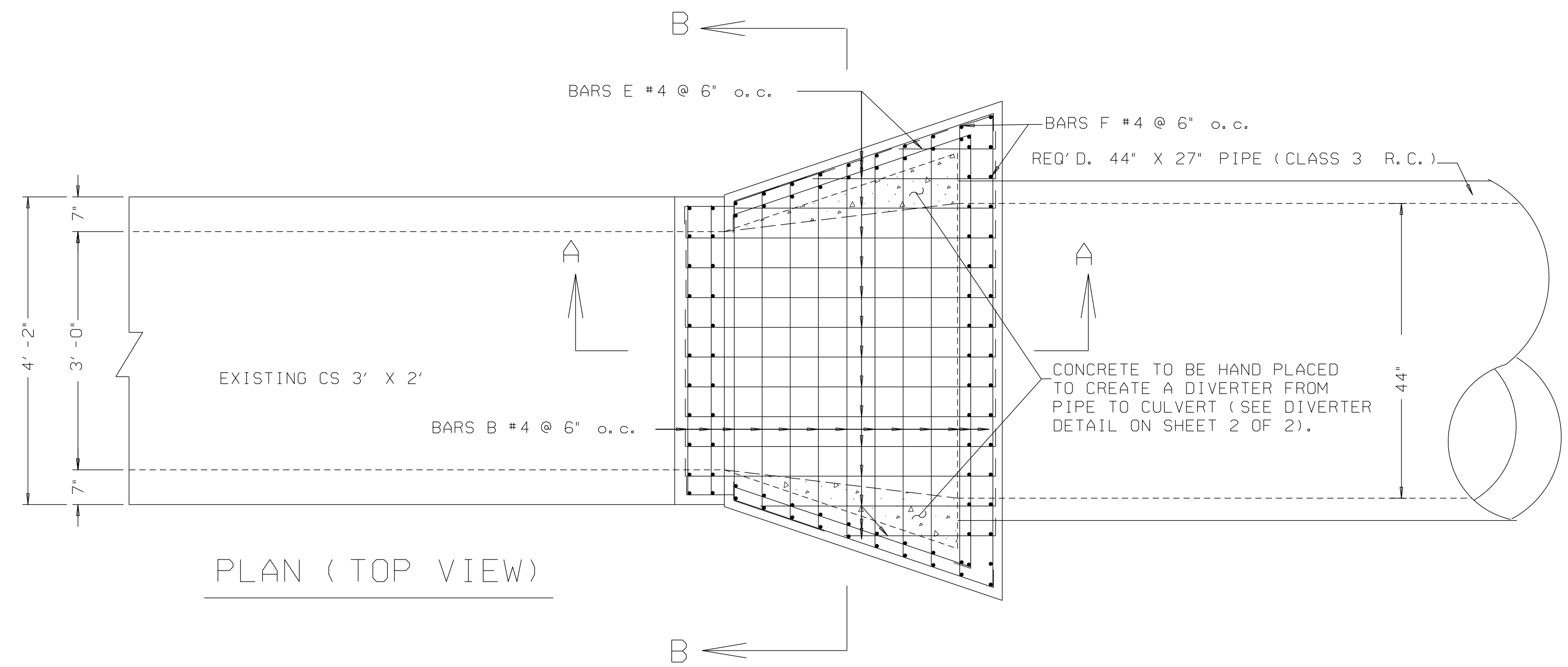


REFERENCE PROJECT NO	FISCAL YEAR	SHEET NO



--SPECIFICATIONS--

CURRENT ALABAMA DEPARTMENT OF TRANSPORTATION

THIS DRAWING REPRESENTS DESIGNS PREPARED FOR USE BY THE ALABAMA DEPARTMENT OF TRANSPORTATION AND IS NOT TO BE COPIED, REPRODUCED, ALTERED, OR USED BY ANYONE, OR ANY ORGANIZATION, WITHOUT THE EXPRESSED WRITTEN CONSENT OF THE ALABAMA DEPARTMENT OF TRANSPORTATION REPRESENTATIVE AUTHORIZED TO APPROVE THIS USE. ANYONE MAKING UNAUTHORIZED USE OF THIS DRAWING MAY BE PROSECUTED TO THE FULLEST EXTENT OF THE LAW.

REVISIONS  
1. Entered into CADD on 08-23-00 by J.F.T.

**ALABAMA DEPARTMENT OF TRANSPORTATION**  
1409 COLISEUM BOULEVARD  
MONTGOMERY, AL 36130-3050

DESIGN BUREAU SPECIAL DRAWING

TYPE SPECIAL, JUNCTION BOX  
CS 3 X 2 TO 44" S, 27" R PIPE

SPECIAL DRAWING NO  
SPECIAL PROJECT DETAIL  
(SHEET 1 OF 2)

Bureau Std Engr: L.V.S.  
DRAWN BY: \_\_\_\_\_ DATE DRAWN: \_\_\_\_\_

INDEX NO

NOT TO SCALE