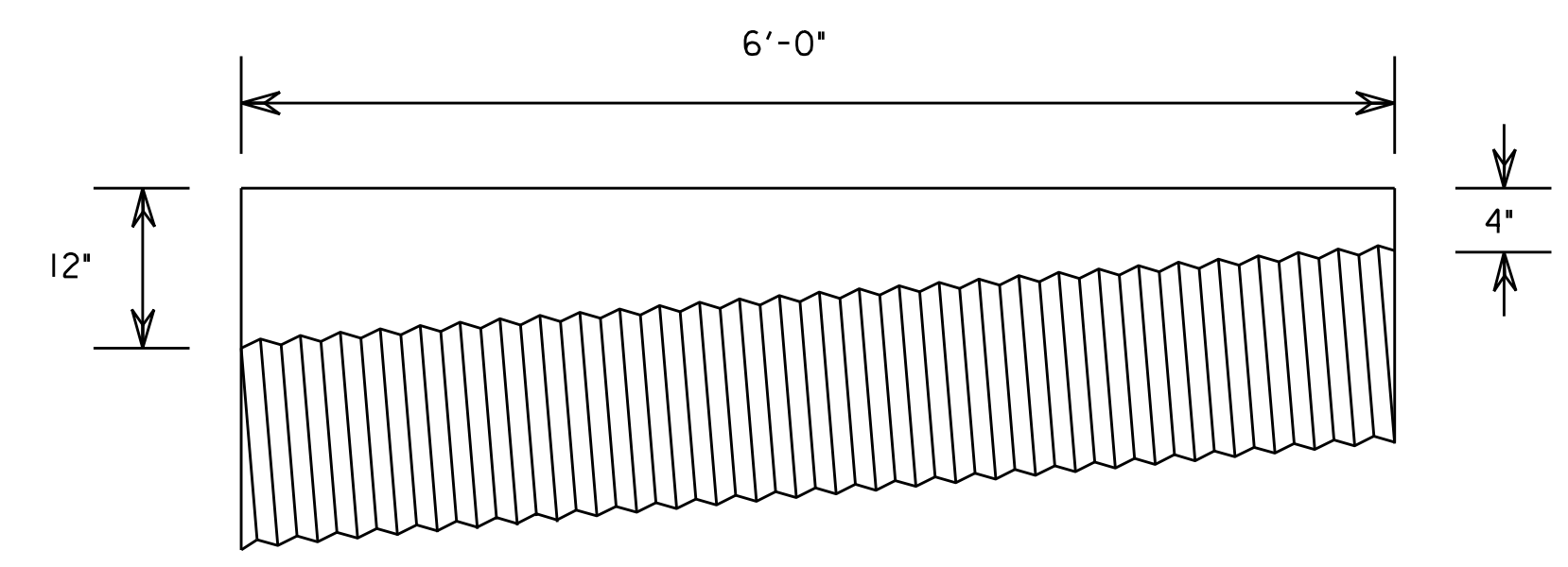
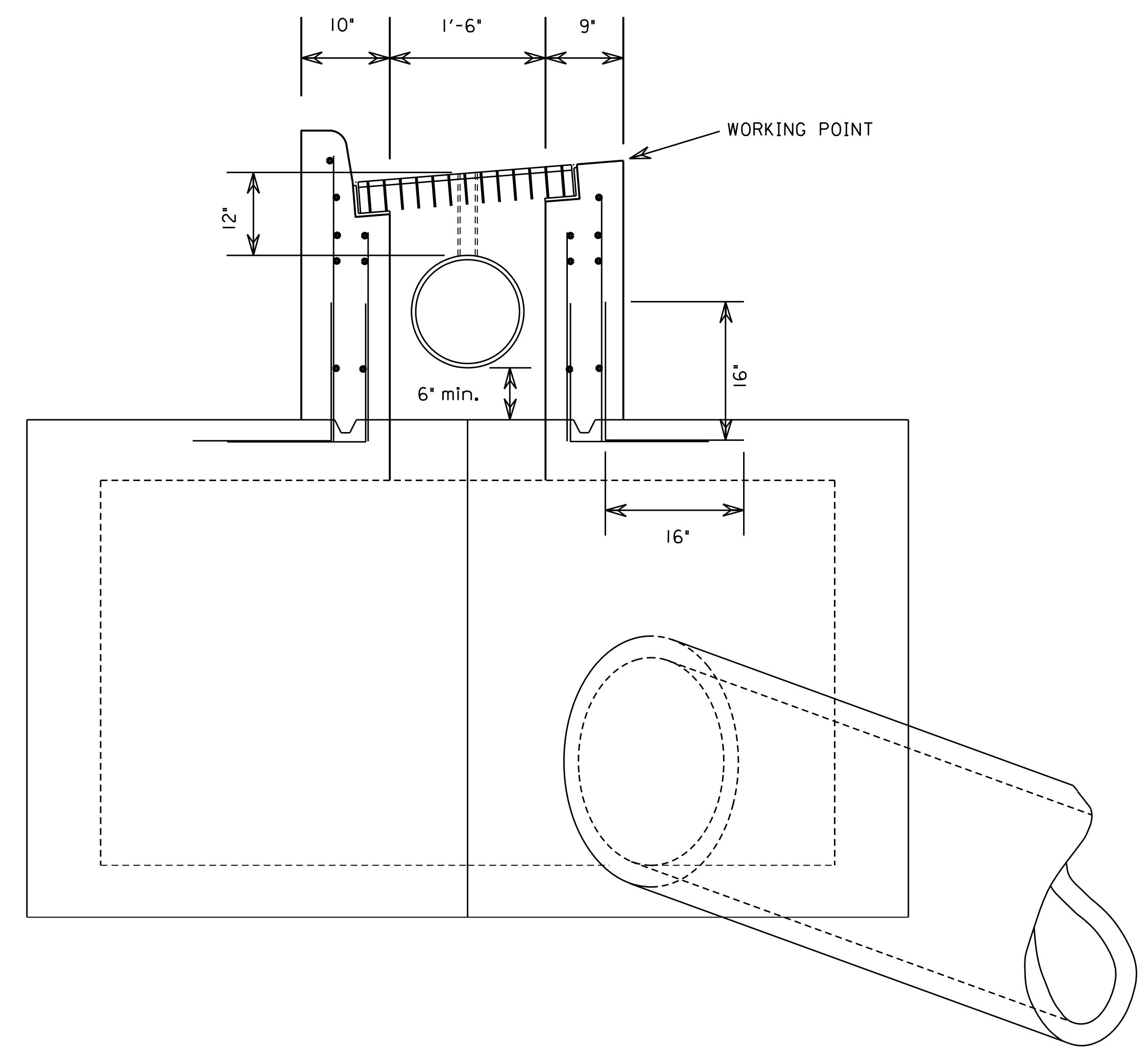


TOP VIEW  
(DETAIL OF INLET AND CURB & GUTTER)



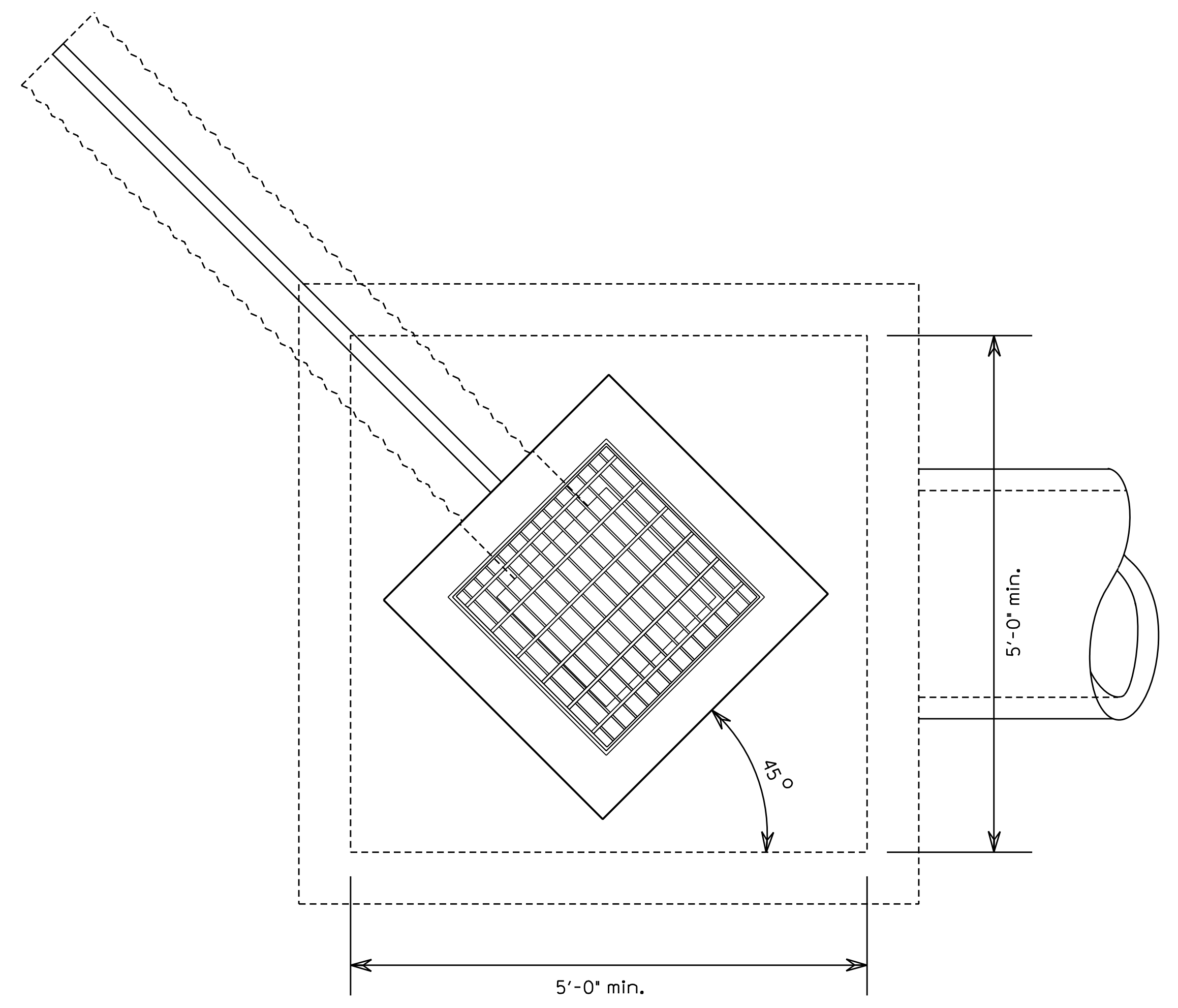
DETAIL OF 12" SLOTTED DRAIN  
WITH VARIABLE HEIGHT GRATE



SIDE VIEW

DETAIL OF CONNECTING PB INLET WITH SLOTTED DRAIN  
TO TYPE I JUNCTION BOX

NO TO SCALE



TOP VIEW  
(DETAIL OF INLET AND JUNCTION BOX)

NOT TO SCALE

SHEET NO. OF REVISIONS	ALABAMA DEPARTMENT OF TRANSPORTATION	
	PROJECT DETAIL INLET TYPE "PB"	
DRAWN BY: _____ DATE DRAWN: _____	SPECIAL PROJECT DETAIL (SHEET 2 OF 2)	INDEX NO.