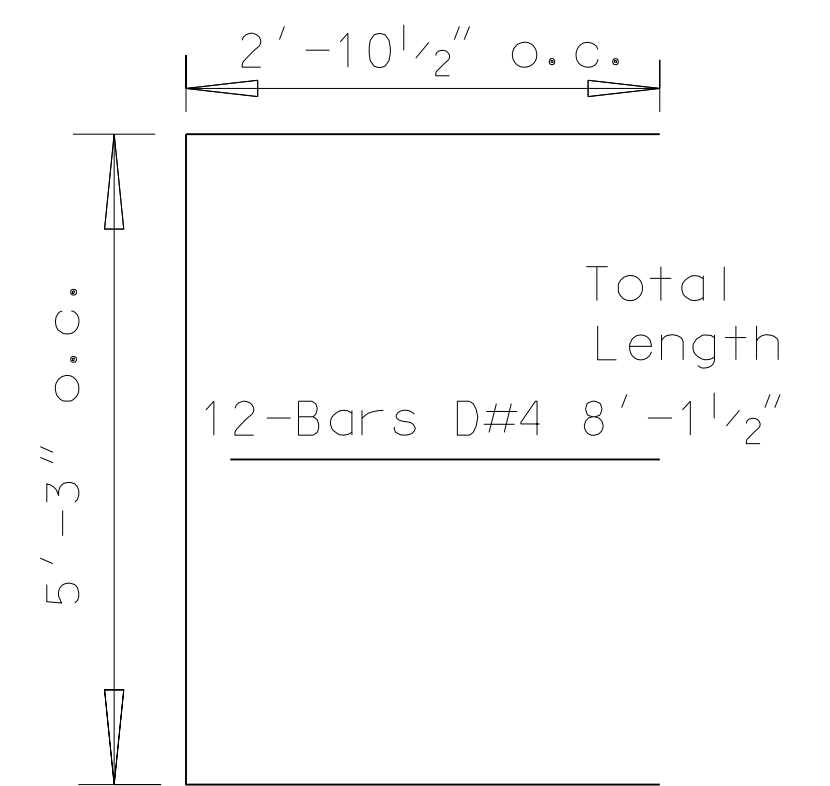
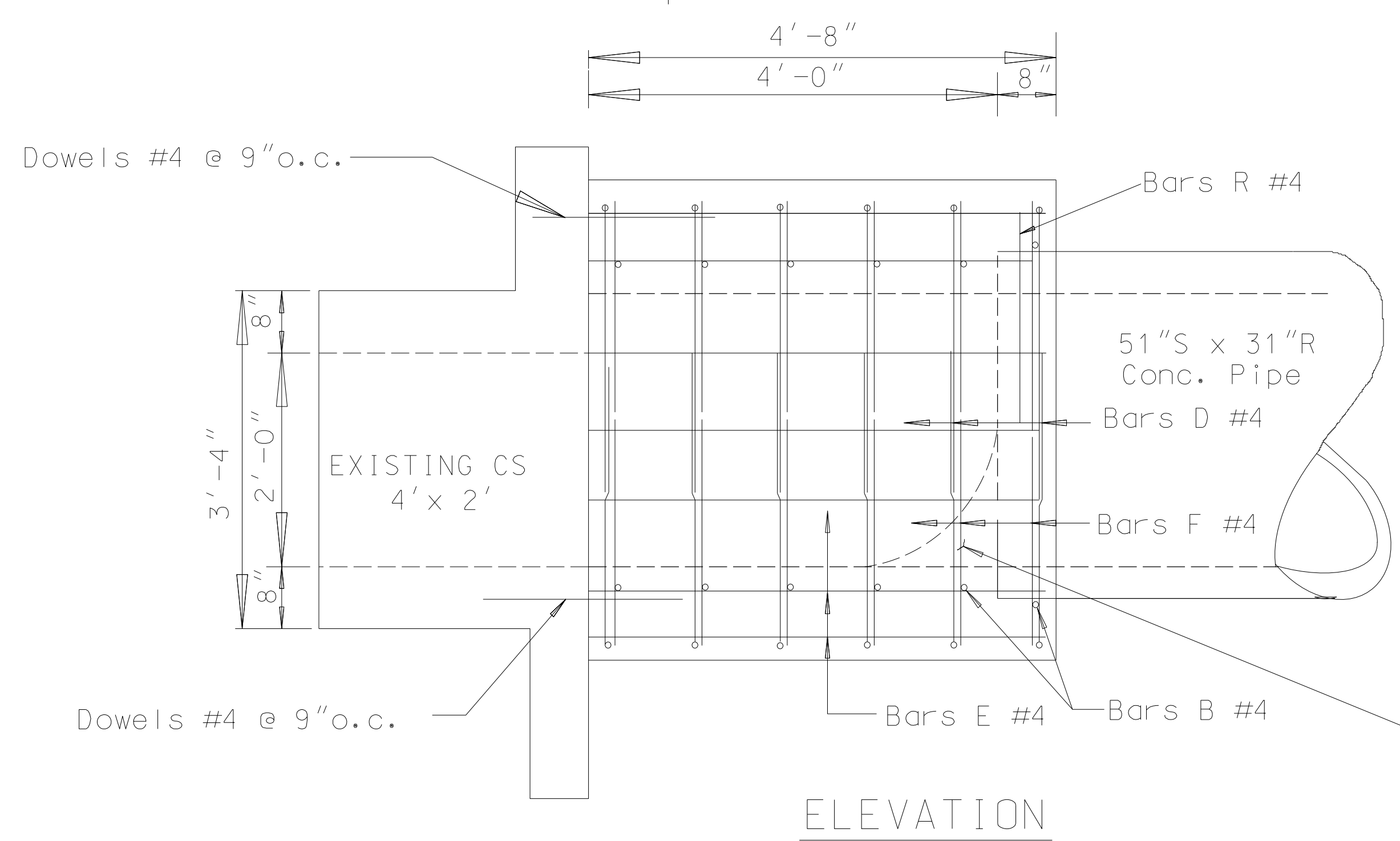


No. Req'd.	Description	Length
12	Bars B#4	5'-3"
28	Bars E#4	5'-0"
12	Bars F#4	4'-3"
2	Bars R#4	2'-5"
14	Dowels#4	2'-0"



Note: Remove That Portion Of Existing Wings To Permit New Conc. Bend Old Reinf. 1'-6" Into New Const. Cost included in JUNCTION Box price bid.



ESTIMATED QUANTITIES

- 3.0 — Cu. Yds. Concrete
- 257 — Lbs. Steel Reinforcement

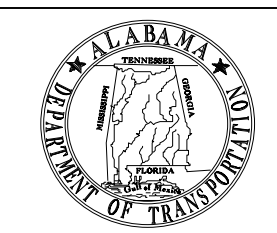
NOTE: Cut Reinf. In The Field To Provide 2" cl. For Pipe Entrance In Wall.

Conc. To Be Shaped By Hand To Provide Transition From Junction Box To Pipe.

--SPECIFICATIONS--
CURRENT ALABAMA DEPARTMENT OF TRANSPORTATION

THIS DRAWING REPRESENTS DESIGNS PREPARED FOR USE BY THE ALABAMA DEPARTMENT OF TRANSPORTATION AND IS NOT TO BE COPIED, REPRODUCED, ALTERED, OR USED BY ANYONE, OR ANY ORGANIZATION, WITHOUT THE EXPRESSED WRITTEN CONSENT OF THE ALABAMA DEPARTMENT OF TRANSPORTATION REPRESENTATIVE AUTHORIZED TO APPROVE THIS USE. ANYONE MAKING UNAUTHORIZED USE OF THIS DRAWING MAY BE PROSECUTED TO THE FULLEST EXTENT OF THE LAW.

REVISIONS
1. Entered into CADD on 07-26-00 by J.F.T.


ALABAMA DEPARTMENT OF TRANSPORTATION
 1409 COLISEUM BOULEVARD
 MONTGOMERY, AL 36130-3050
 DESIGN BUREAU SPECIAL DRAWING

CS 4 x 2 TO 51" S, 31" R PIPE
JUNCTION BOX, TYPE SPECIAL

SPECIAL DRAWING NO

Bureau Std Engr : L.V.S.
DRAWN BY: _____ DATE DRAWN: _____

SPECIAL PROJECT DETAIL

INDEX NO

NOT TO SCALE