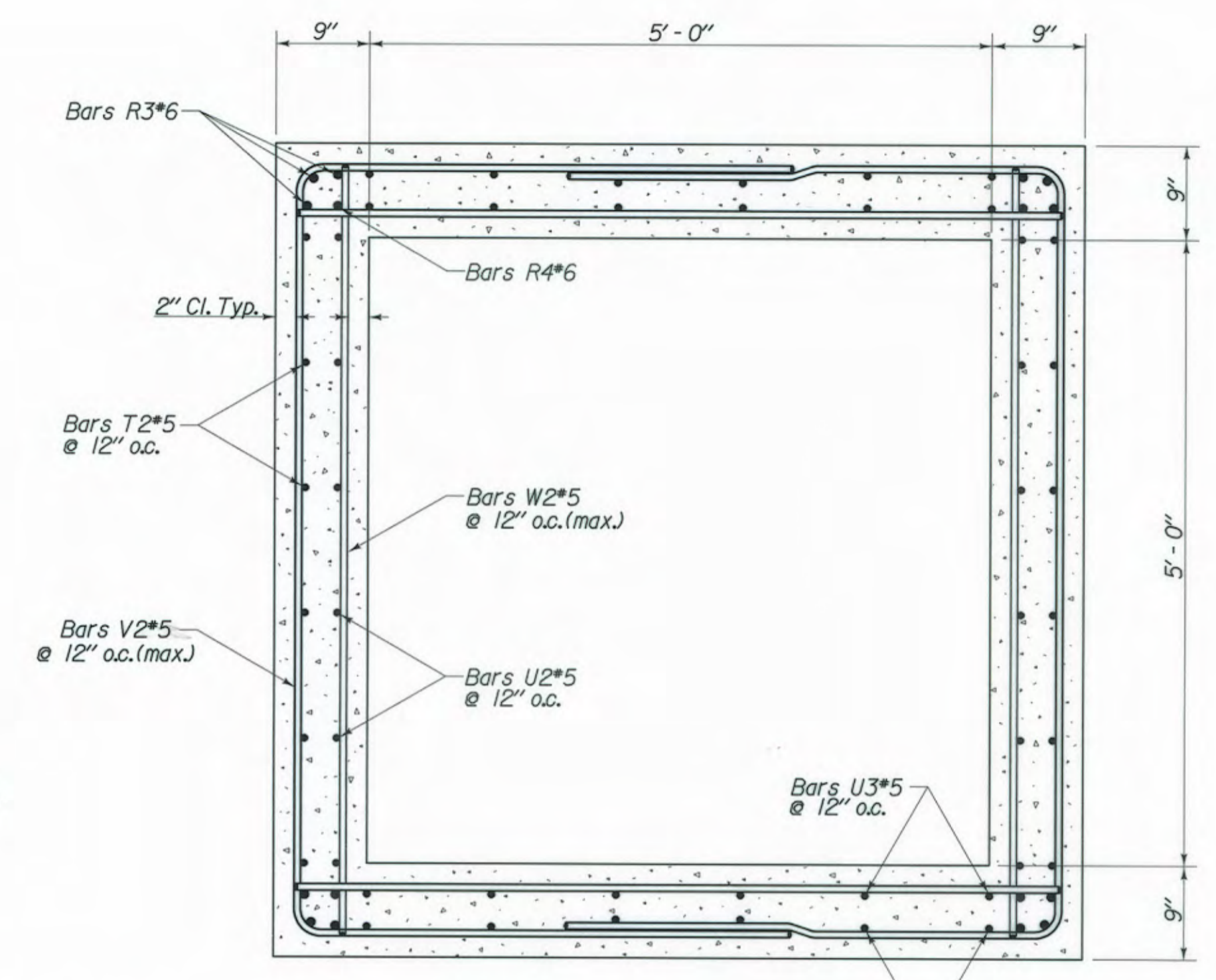
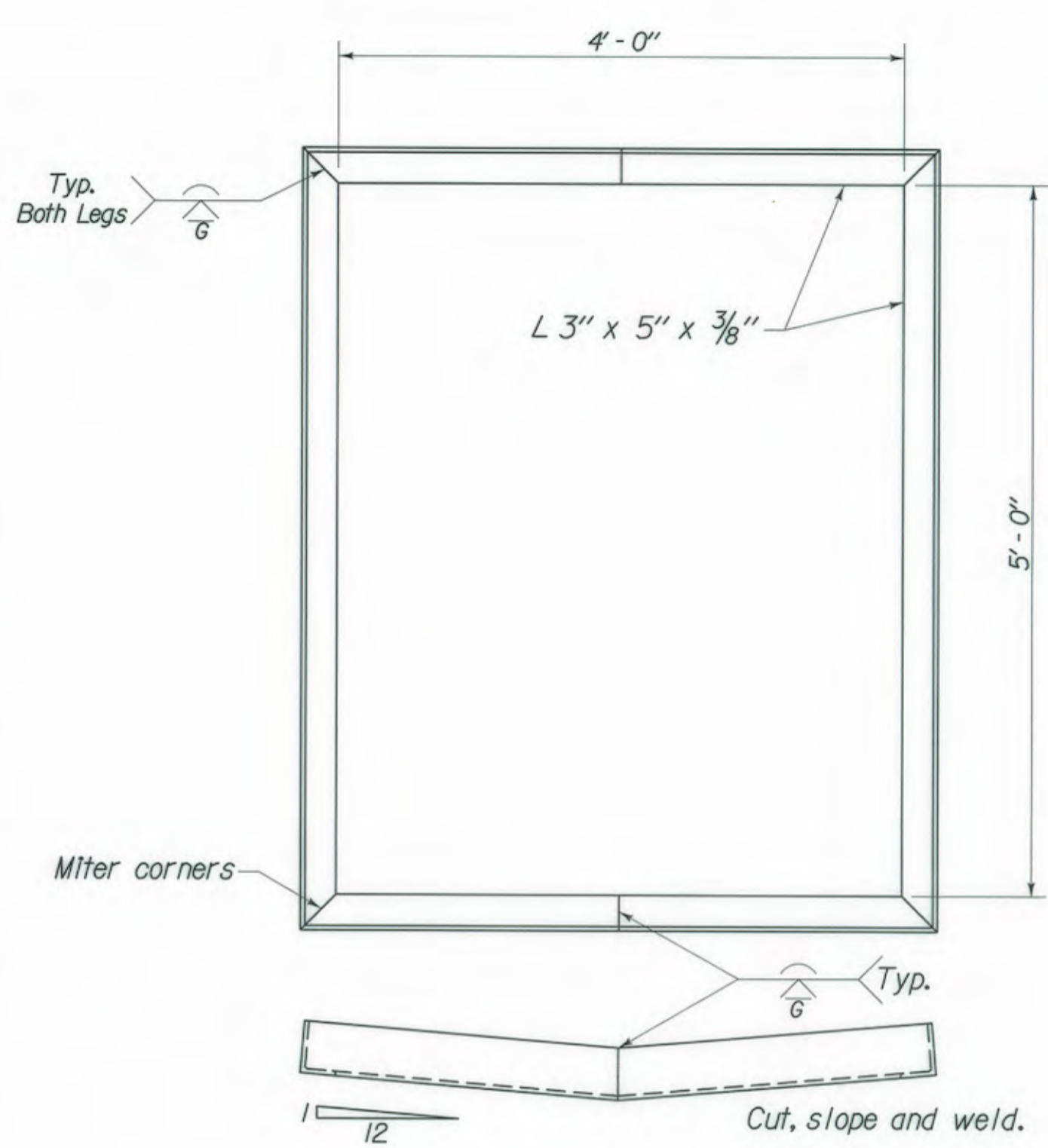


PLAN
Scale: 1" = 1' - 0"



PLAN VIEW - REINF.
Scale: 1" = 1' - 0"



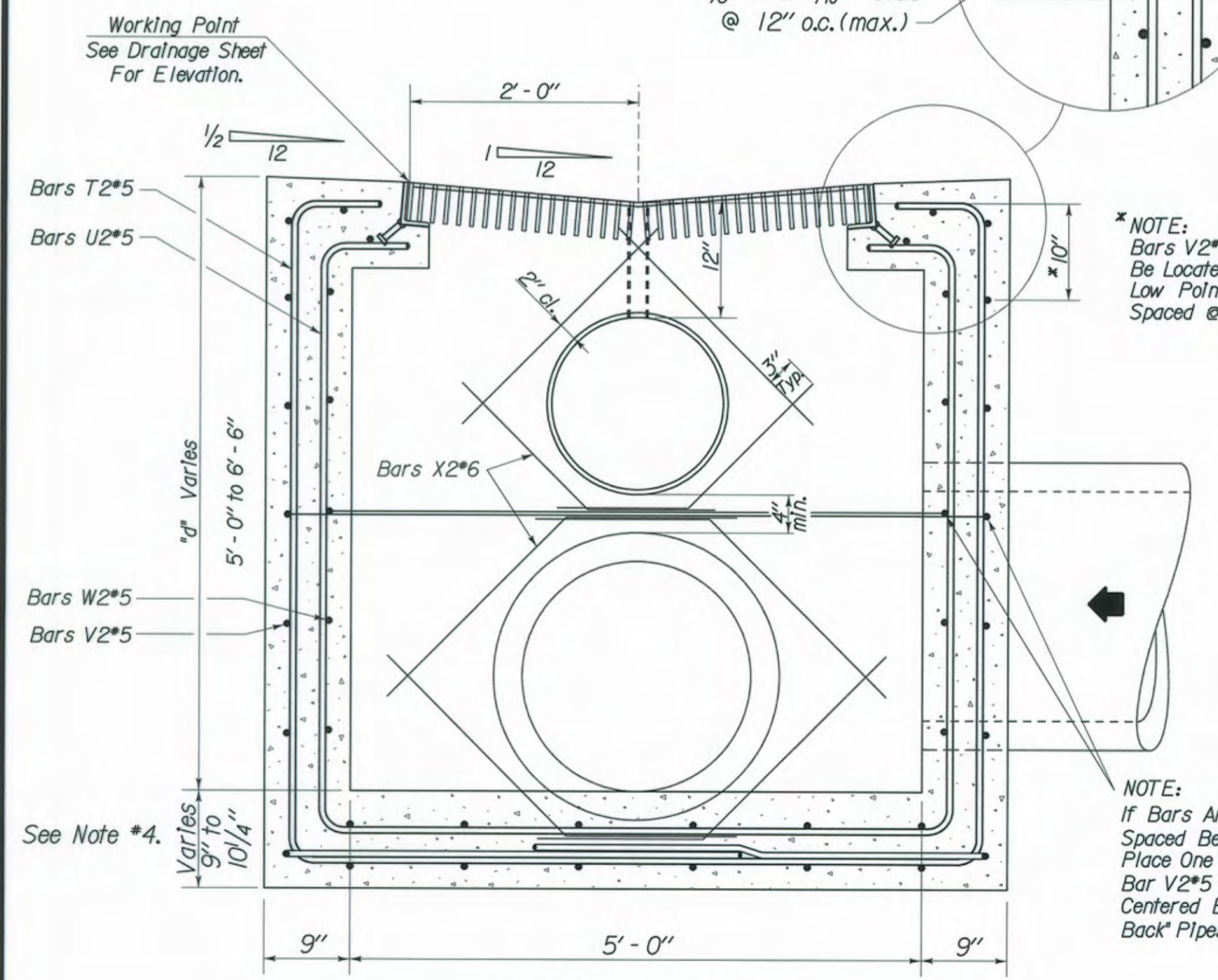
PLAN/ELEVATION - ANGLE
Scale: 1" = 1' - 0"

- NOTES:**
- All Welding Shall Be Done In Accordance With AWS D1.1 - 80 As Amended By AASHTO 1981 And ALDOT Standard Construction Specifications Section 836.
 - Concrete Shall Be Class A.
 - Steel Reinforcing Shall Be Grade 40. All Reinforcing Steel Shall Be 2" Cl. Each Face.
 - Slab Floor Shall Slope From Invert Of Inlet Pipe To Invert Of Outlet Pipe As Shown In Section B - B.
 - This Drawing Is A General Representation To Be Used For Several V2 Locations. It Must Be Used In Conjunction With Project Drainage Sheets To Obtain V2 Locations, Elevations, And The Specific Pipe Arrangement For Each Site.
 - This V2 Structure Shall Be Paid For On A Lump Sum Basis.

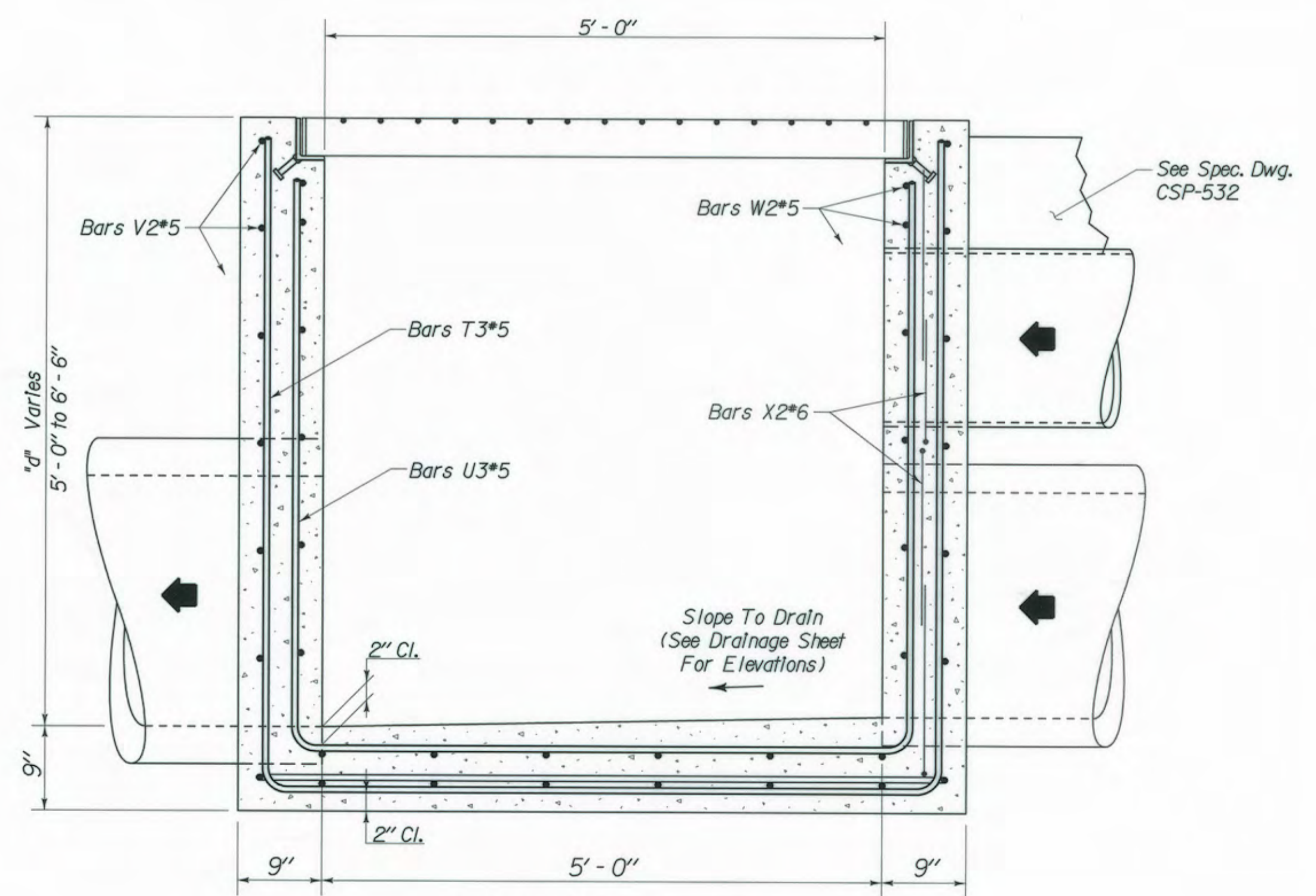
Bars R3*6	Varies
Bars R4*6	Varies
Bars W2*5	6' - 2"
Bars X2*6	Varies

* Bars X2*6 Shall Be Cut And Bent In The Field As Necessary To Place Around Pipes As Shown.

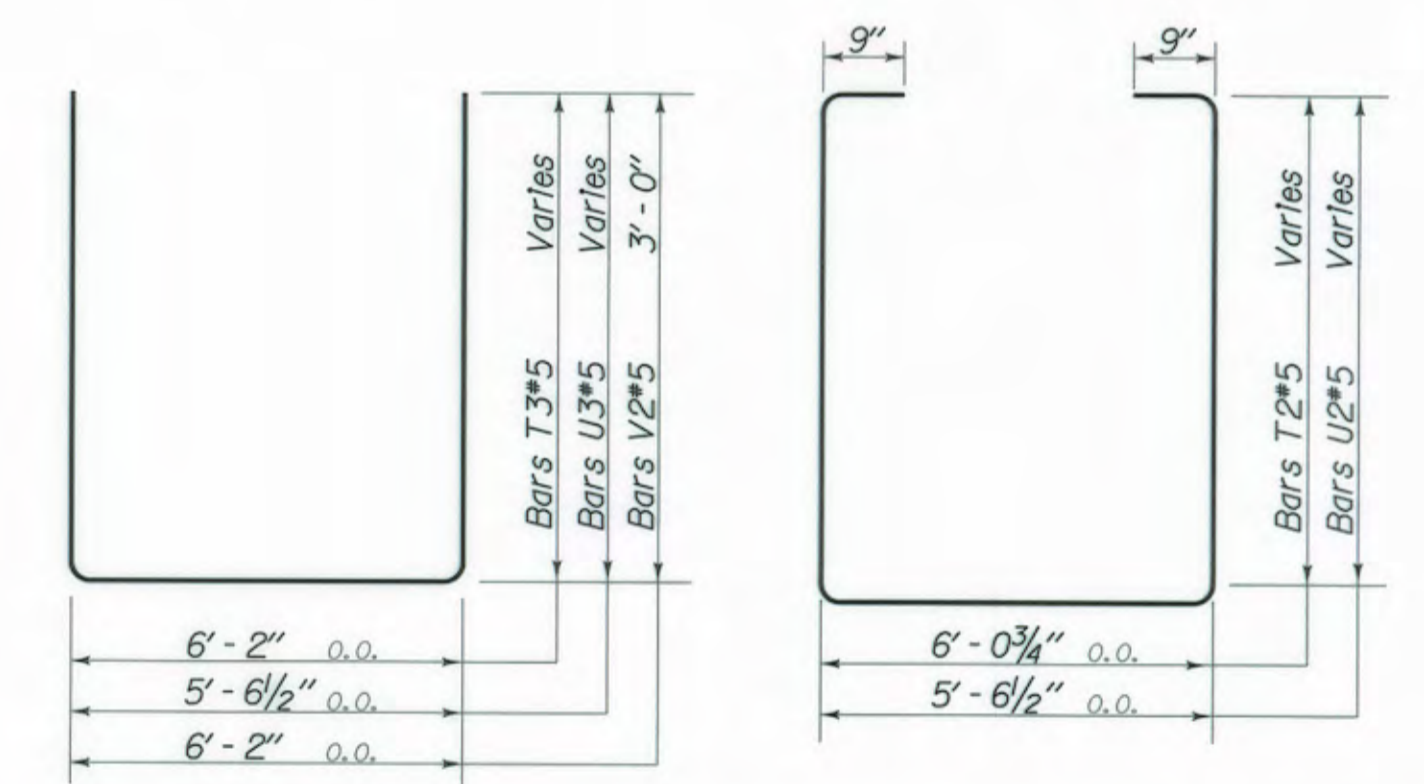
Grate: IKG Borden Style HW, Type C18C or approved equal.
Material shall be A-36 steel.
Main bars to be 4" deep by 3/8" thick, spaced @ 1 3/8" centers.
Cross bars shall be welded using 1/2" Ø cross bars, spaced 4" on center.



SECTION A - A
Scale: 1" = 1' - 0"



SECTION B - B
Scale: 1" = 1' - 0"



THESE DRAWINGS REPRESENT DESIGNS PREPARED FOR USE BY THE ALABAMA DEPARTMENT OF TRANSPORTATION; AND ARE NOT TO BE COPIED, REPRODUCED, ALTERED, OR USED BY ANYONE, OR ANY ORGANIZATION, WITHOUT THE EXPRESSED WRITTEN CONSENT OF THE ALABAMA DEPARTMENT OF TRANSPORTATION REPRESENTATIVE AUTHORIZED TO APPROVE THIS USE. ANYONE MAKING UNAUTHORIZED USE OF THESE DRAWINGS MAY BE PROSECUTED TO THE FULLEST EXTENT OF THE LAW.

ALABAMA DEPARTMENT OF TRANSPORTATION			
BRIDGE SHEET NO. 1 OF 1		PROJ. NO. STPBH-9802(66)	
REVISIONS		SPECIAL INLET BOX V-2	
		JEFFERSON COUNTY	
BIN:		QUANTITIES (NO. %)	DRAWN: Ronald Field
STRUCTURAL APPROVAL:	STRUCTURAL APPROVAL:	COMP:	REINF CHKD:
ASSISTANT BRIDGE ENGINEER	DESIGNER	CHKD:	SCALE: As Shown
BRIDGE ENGINEER	SECTION SUPERVISOR	CHKD: P.B.C.	DATE: 9/8/95