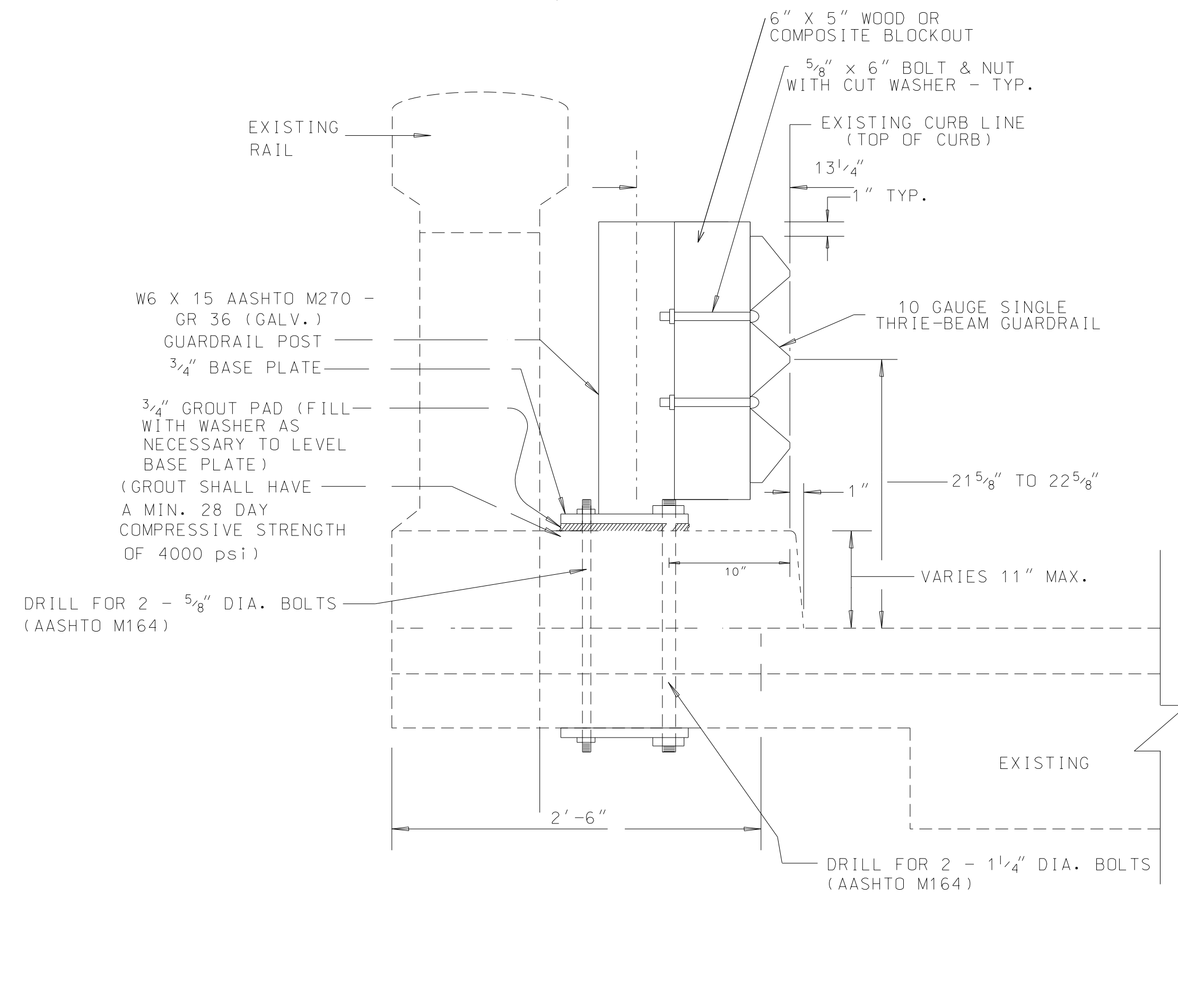
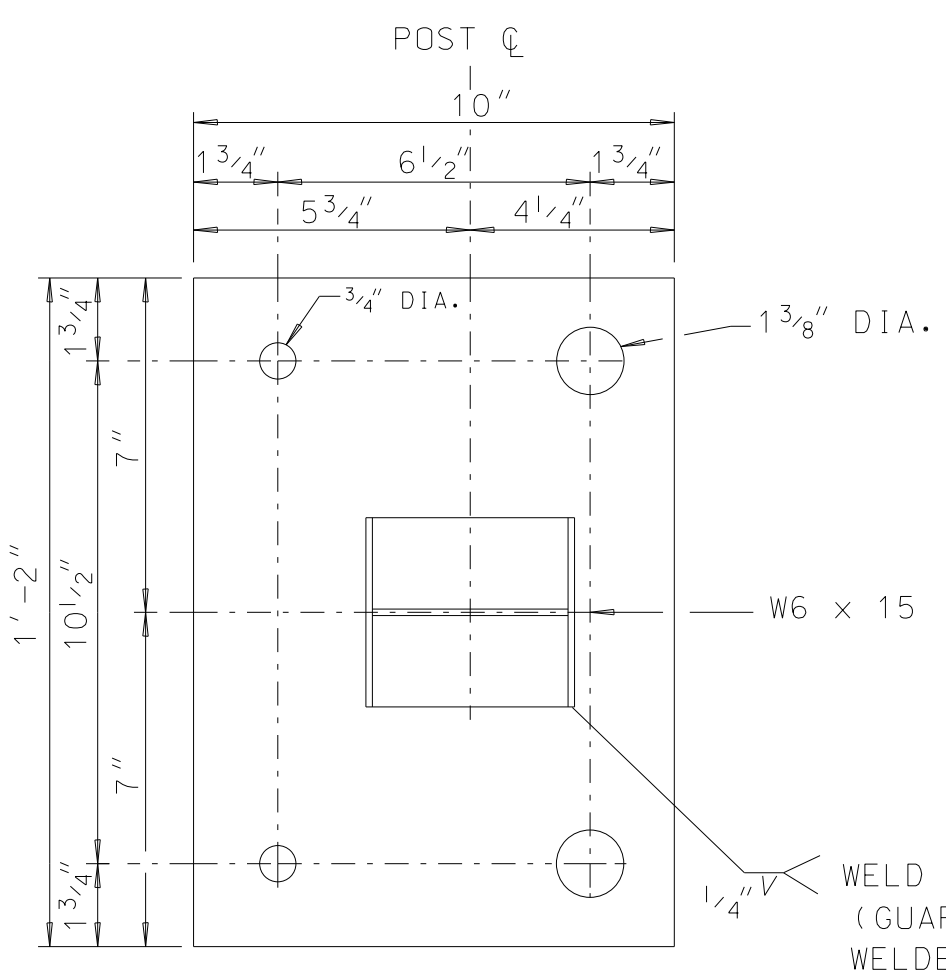


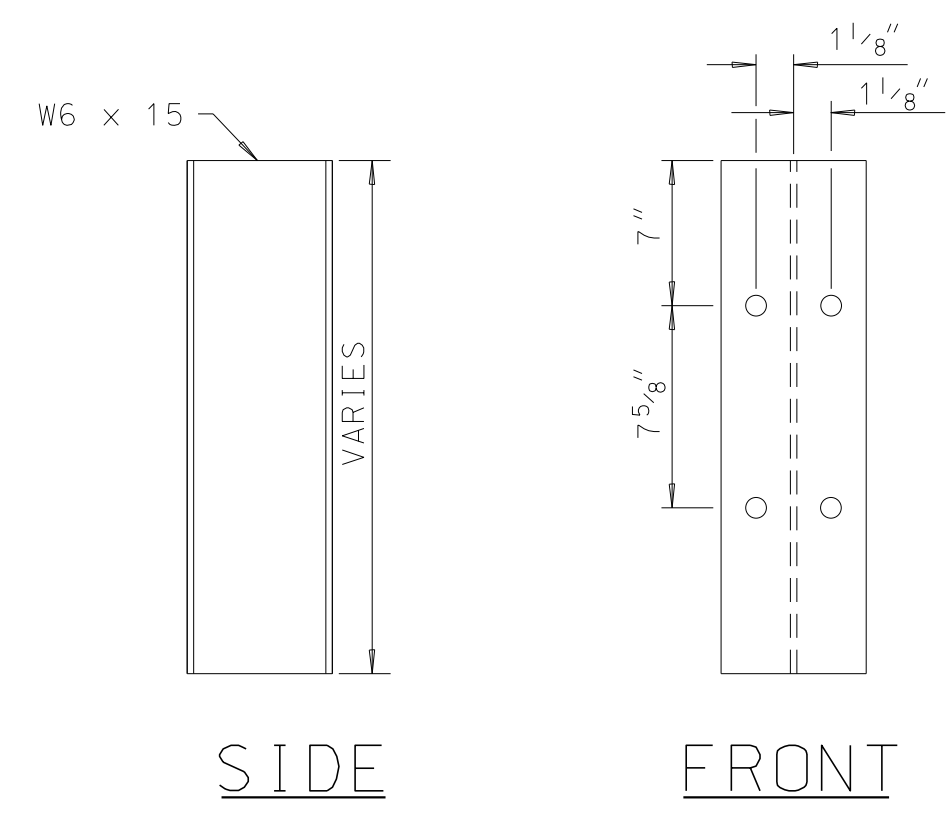
SECTION A-A
 OPTION 1



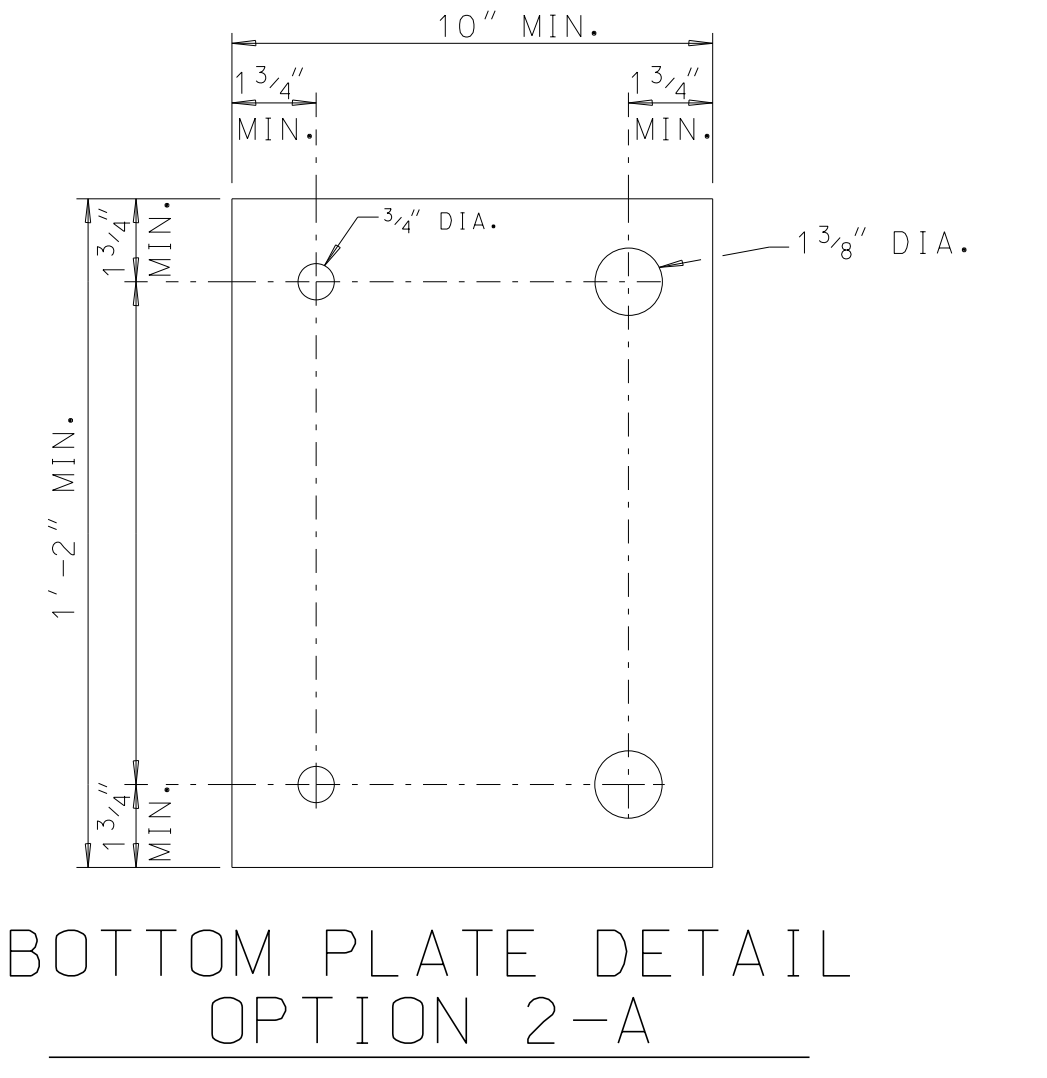
SECTION A-A
 OPTION 2



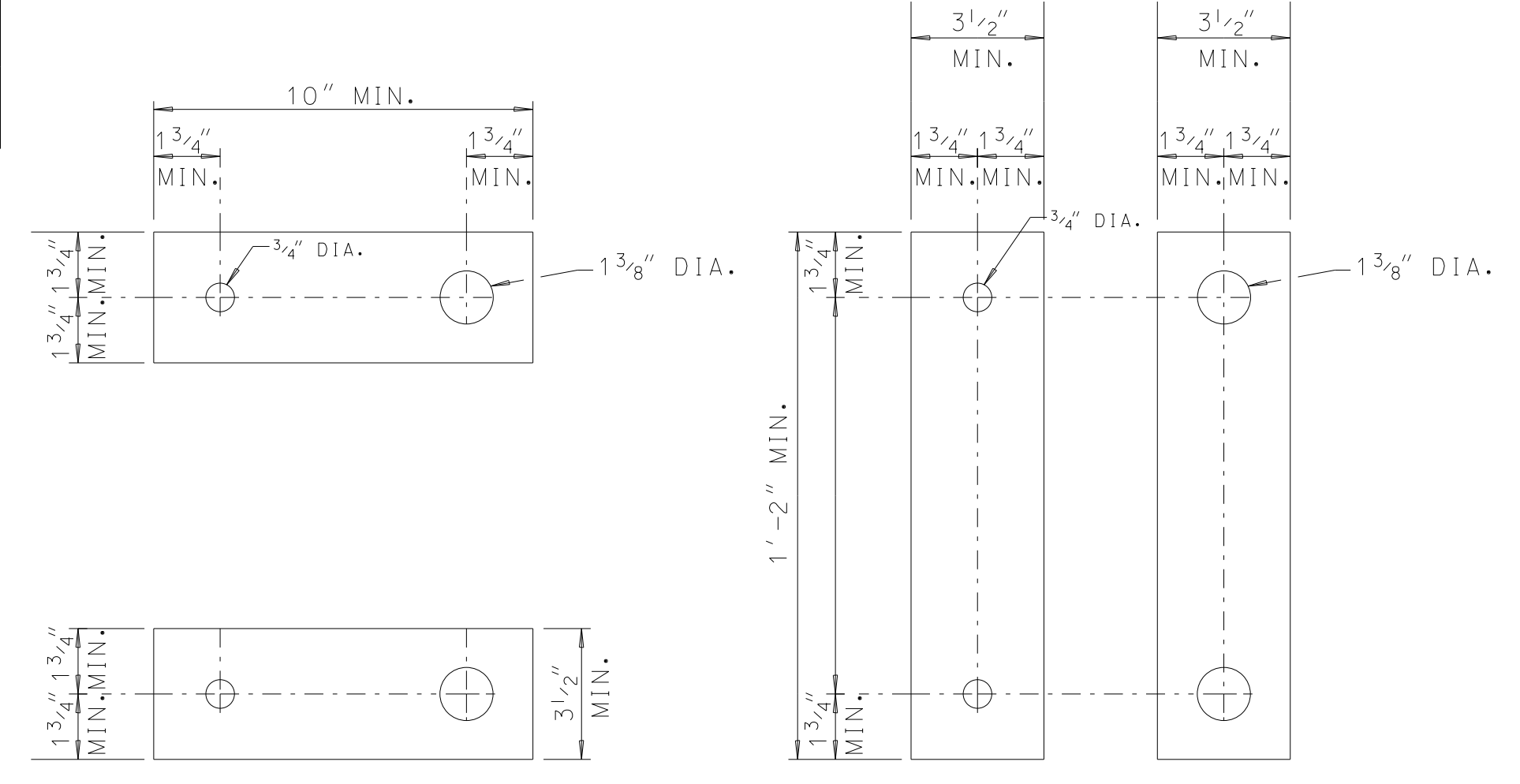
BASE PLATE DETAIL



W6 x 15 STEEL GUARDRAIL POST



BOTTOM PLATE DETAIL
 OPTION 2-A



BOTTOM PLATE DETAIL
 OPTION 2-B

BOTTOM PLATE DETAIL
 OPTION 2-C

--SPECIFICATIONS--
 CURRENT ALABAMA DEPARTMENT OF TRANSPORTATION

THIS DRAWING REPRESENTS DESIGNS PREPARED FOR USE BY THE ALABAMA DEPARTMENT OF TRANSPORTATION AND IS NOT TO BE COPIED, REPRODUCED, ALTERED, OR USED BY ANYONE, OR ANY ORGANIZATION, WITHOUT THE EXPRESSED WRITTEN CONSENT OF THE ALABAMA DEPARTMENT OF TRANSPORTATION REPRESENTATIVE AUTHORIZED TO APPROVE THIS USE. ANYONE MAKING UNAUTHORIZED USE OF THIS DRAWING MAY BE PROSECUTED TO THE FULLEST EXTENT OF THE LAW.

REVISIONS
1. Revised Section "A-A" Upper Bottom-Right changed "VARIES, 11" MAX." to "VARIES, 10" MAX." on 06-06-18 by J.F.T.
2. Changed Thrie-Beam to Wide-Beam Transition on 09-25-18 by L.R.M.

ALABAMA DEPARTMENT OF TRANSPORTATION
 1409 COLISEUM BOULEVARD
 MONTGOMERY, AL 36130-302

DESIGN BUREAU SPECIAL DRAWING
 DETAILS OF THRIE-BEAM BRIDGE RAIL RETROFIT

Bureau Std. Engr. _____
 DRAWN BY: _____ DATE DRAWN: _____

SPECIAL DRAWING NO. _____
 SPECIAL PROJECT DETAIL (SHEET 2 OF 2) INDEX NO. XXX

NOT TO SCALE