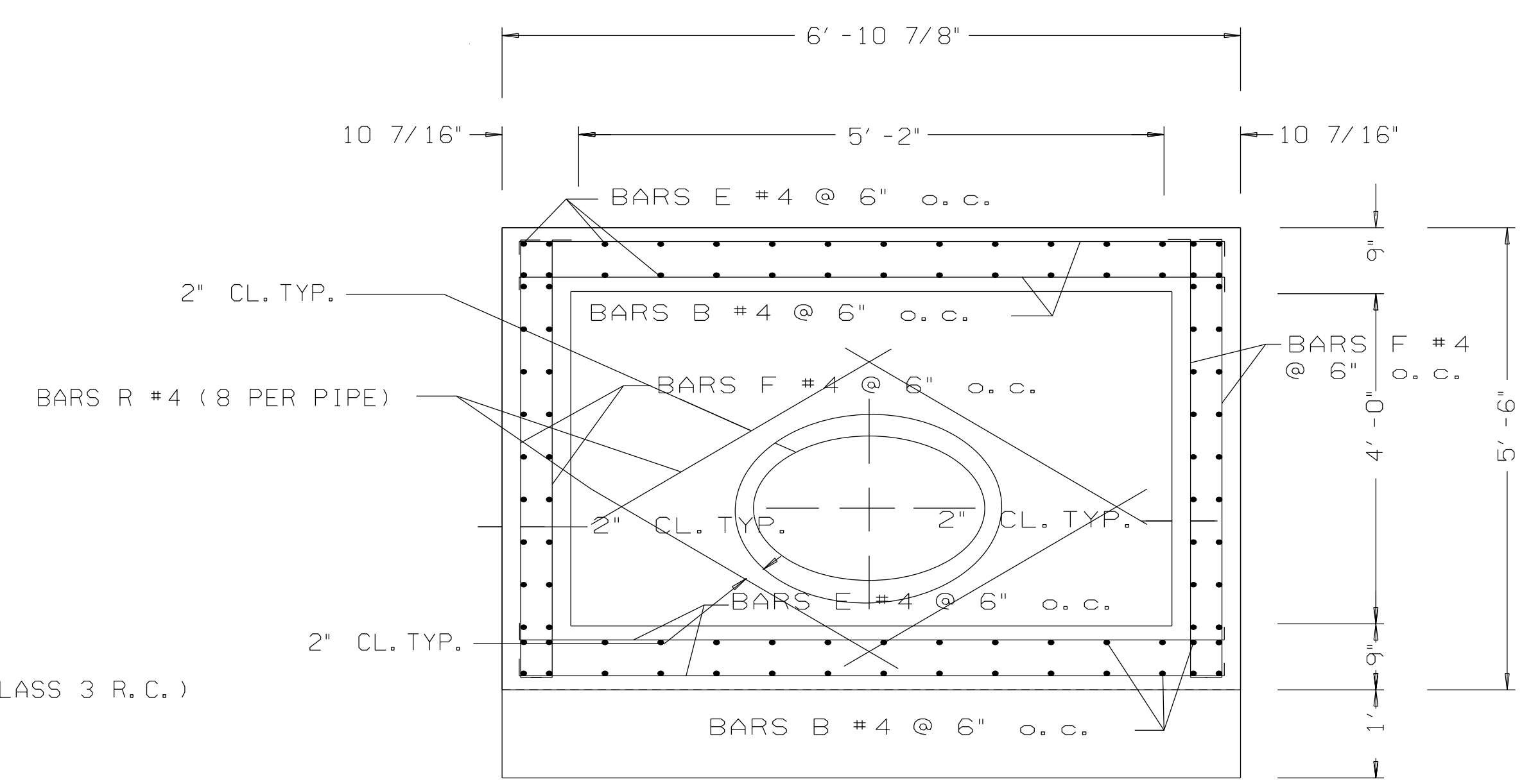


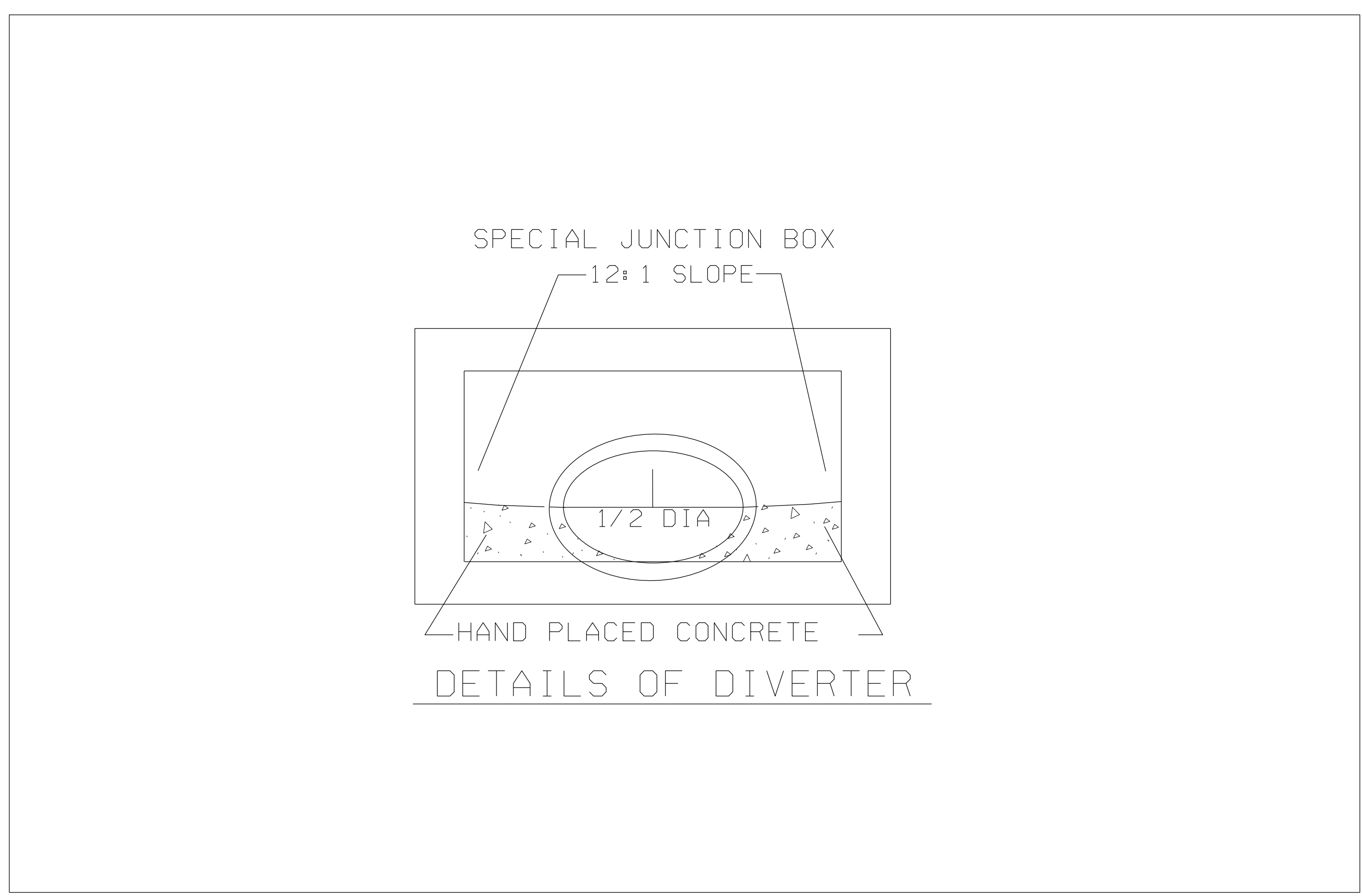
ELEVATION



ELEVATION (PIPE END)

BAR INFORMATION			
BAR	BAR SIZE	NO. REQ'D.	TOTAL LENGTH
B	#4	60	310
E	#4	84	403
F	#4	59	387
R	#4	8	29
DOWELS	#4	60	128

- GENERAL NOTES
- REMOVE THAT PORTION OF EXISTING END TREATMENTS TO PERMIT NEW CONSTRUCTION. BEND OLD REINFORCEMENT 1' -1/4" INTO NEW CONSTRUCTION. PLACE DOWELS 8" INTO OLD CONSTRUCTION.
  - ALL SPLICES AND LAPS ARE 35 BAR DIAMETERS.
  - TO BE PAID PER EACH AS JUNCTION BOX, TYPE SPECIAL.



NOT TO SCALE

--SPECIFICATIONS--  
CURRENT ALABAMA DEPARTMENT OF TRANSPORTATION

THIS DRAWING REPRESENTS DESIGNS PREPARED FOR USE BY THE ALABAMA DEPARTMENT OF TRANSPORTATION AND IS NOT TO BE COPIED, REPRODUCED, ALTERED, OR USED BY ANYONE, OR ANY ORGANIZATION, WITHOUT THE EXPRESSED WRITTEN CONSENT OF THE ALABAMA DEPARTMENT OF TRANSPORTATION REPRESENTATIVE AUTHORIZED TO APPROVE THIS USE. ANYONE MAKING UNAUTHORIZED USE OF THIS DRAWING MAY BE PROSECUTED TO THE FULLEST EXTENT OF THE LAW.

REVISIONS  
1. Added to CADD on 08-23-00 by J.F.T.

ALABAMA DEPARTMENT OF TRANSPORTATION  
1409 COLISEUM BOULEVARD  
MONTGOMERY, AL 36130-3050

DESIGN BUREAU SPECIAL DRAWING

TYPE SPECIAL JUNCTION BOX,  
CS 3 x 2 TO 44"S, 27"R PIPE

Bureau Std Engr: L.V.S.  
DRAWN BY: \_\_\_\_\_ DATE DRAWN: 09-25-90

SPECIAL DRAWING NO. SPECIAL PROJECT DETAIL (SHEET 2 OF 2)

INDEX NO. XXX

NOT TO SCALE