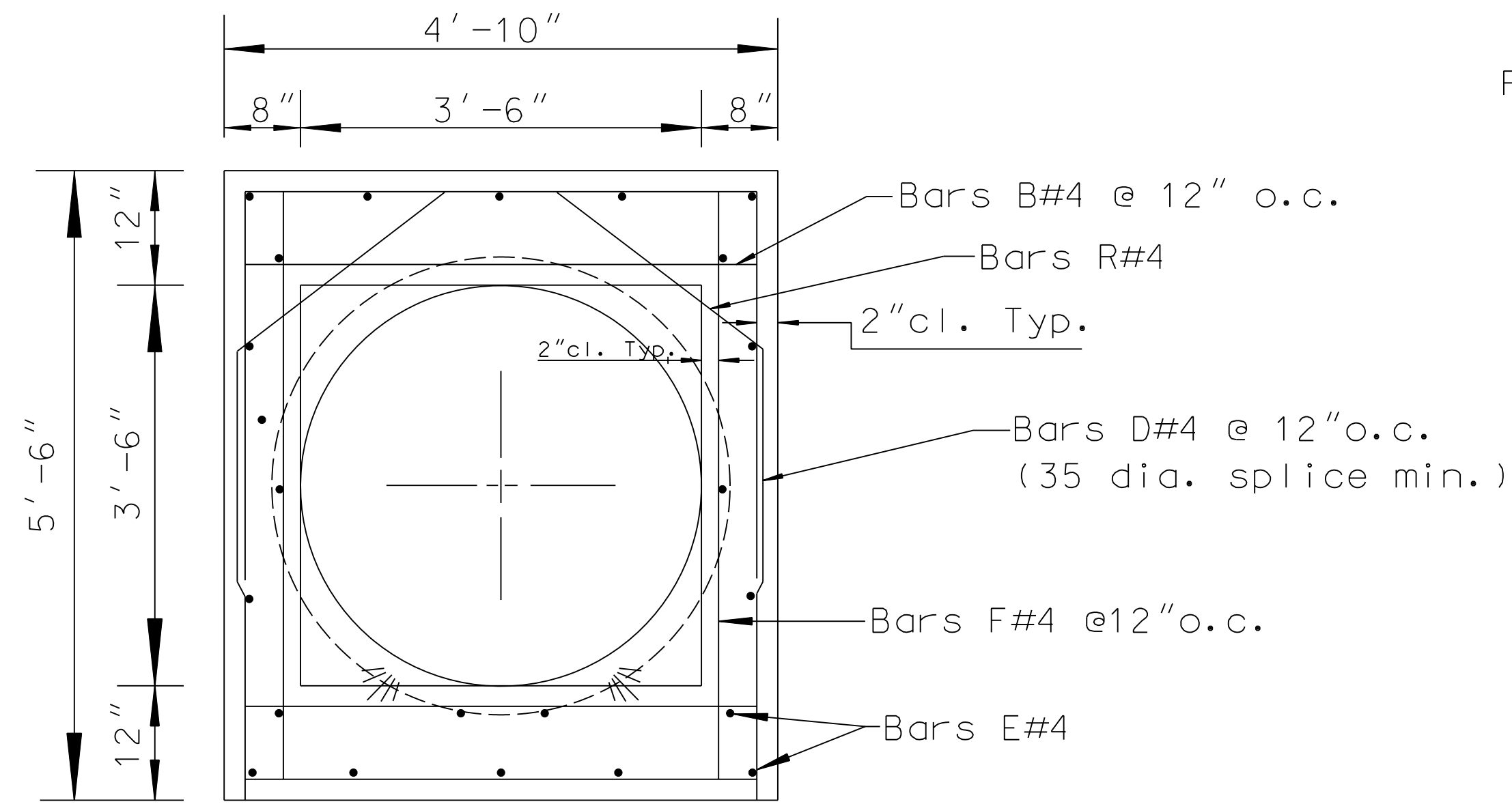
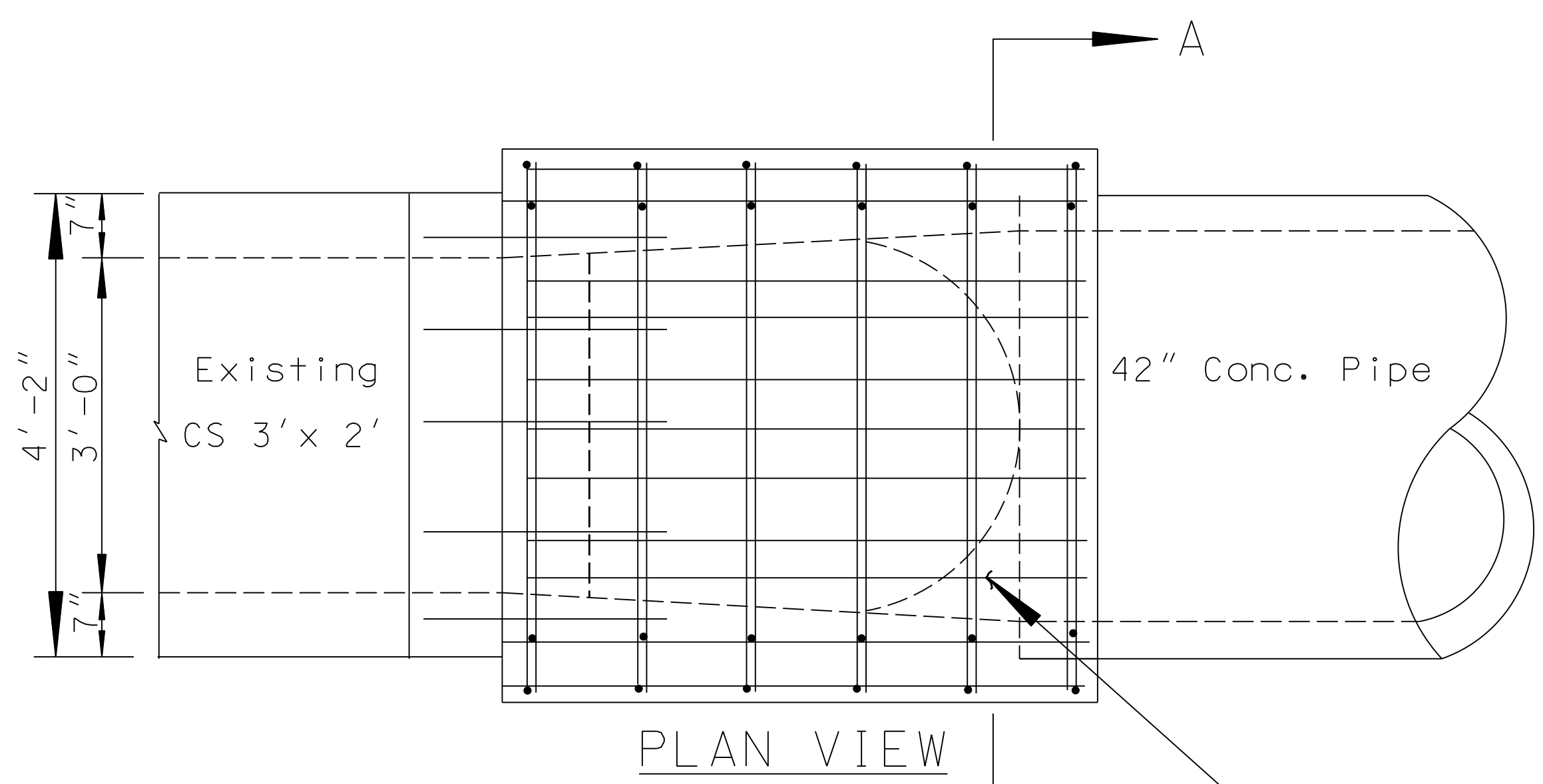
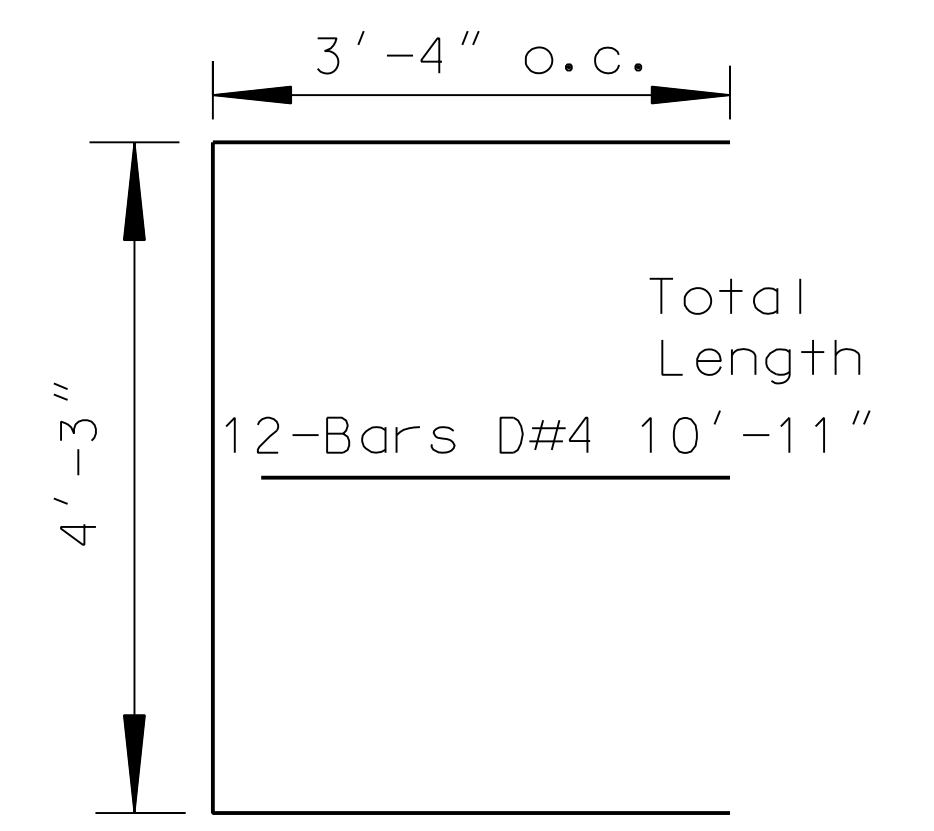


REFERENCE PROJECT NO	FISCAL YEAR	SHEET NO

Note: Cut Reinf. In The Field To Provide 2" cl. For Pipe Entrance In Wall.

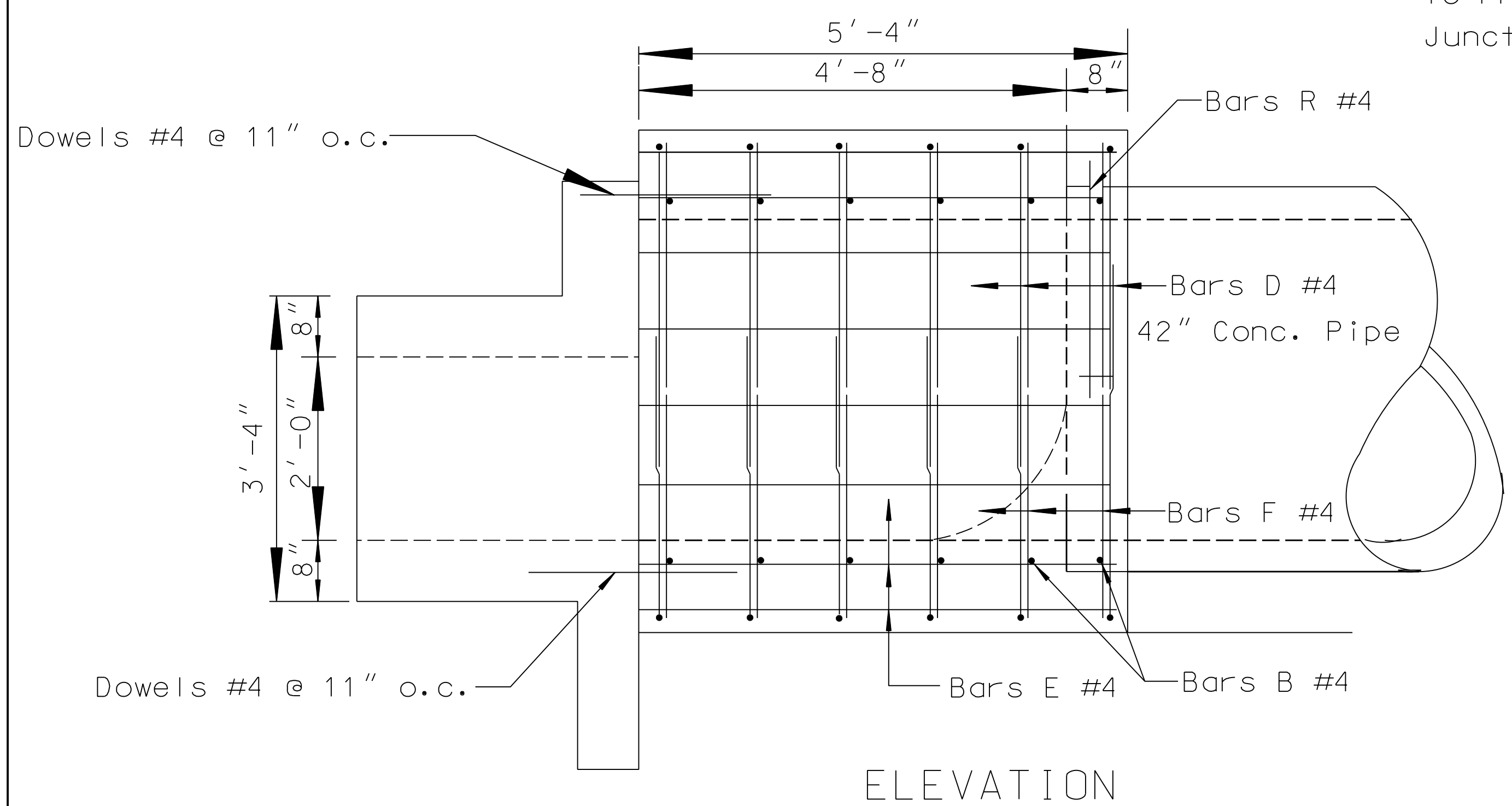


No. Req'd.	Description	Length
13	Bars B#4	4'-6"
30	Bars E#4	5'-6"
12	Bars F#4	5'-2"
2	Bars R#4	2'-6"
10	Dowels#4	2'-6"



Note: Remove That Portion Of Existing Wings To Permit New Conc. Bend Old Reinf. 1'-6" Into New Const. Cost included in Junction Box Price Bid.

Conc. To Be Shaped By Hand To Provide Transition From Junction Box To Pipe.



ESTIMATED QUANTITIES

- 2.45 — Cu. Yds. Concrete
- 270 — Lbs. Steel Reinforcement

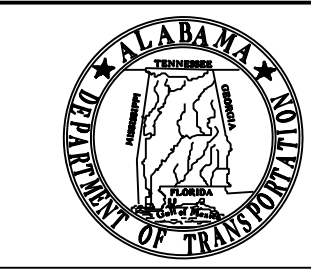
ELEVATION

NOT TO SCALE

--SPECIFICATIONS--  
CURRENT ALABAMA DEPARTMENT OF TRANSPORTATION

THIS DRAWING REPRESENTS DESIGNS PREPARED FOR USE BY THE ALABAMA DEPARTMENT OF TRANSPORTATION AND IS NOT TO BE COPIED, REPRODUCED, ALTERED, OR USED BY ANYONE, OR ANY ORGANIZATION, WITHOUT THE EXPRESSED WRITTEN CONSENT OF THE ALABAMA DEPARTMENT OF TRANSPORTATION REPRESENTATIVE AUTHORIZED TO APPROVE THIS USE. ANYONE MAKING UNAUTHORIZED USE OF THIS DRAWING MAY BE PROSECUTED TO THE FULLEST EXTENT OF THE LAW.

REVISIONS  
Entered into CADD on 12-05-96  
by J.F.T.



**ALABAMA DEPARTMENT OF TRANSPORTATION**  
1409 COLISEUM BOULEVARD  
MONTGOMERY, AL 36130-3050

DESIGN BUREAU SPECIAL DRAWING

JUNCTION BOX, TYPE SPECIAL  
CS 3 x 2 TO 42" PIPE

DRAWN \_\_\_\_\_ DATE: \_\_\_\_\_ SPECIAL PROJECT  
FHWA APPROV. DATE: \_\_\_\_\_ DETAIL

NOT TO SCALE