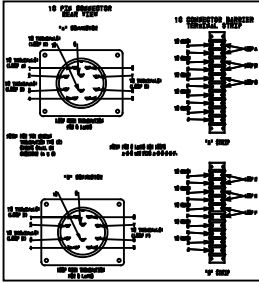
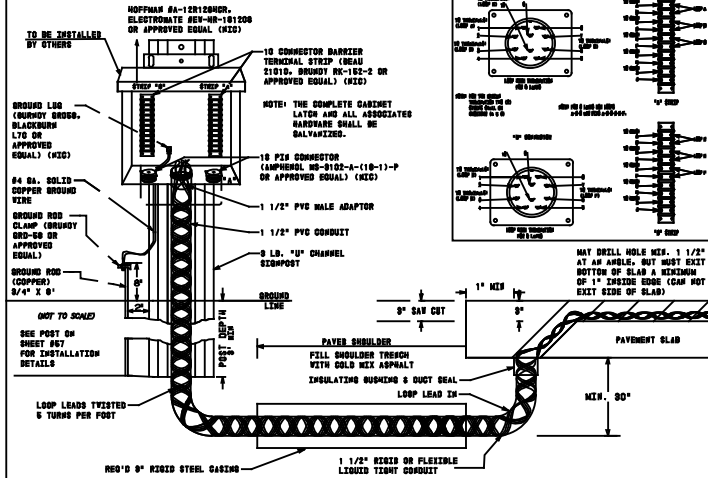


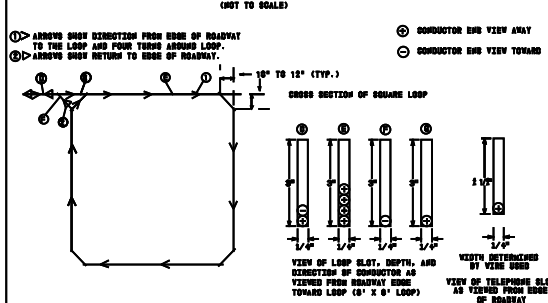
TYPICAL INSTALLATION FOR VEHICULAR COUNTING DETECTORS

FHWA REG. NO.	STATE	PROJECT NO.	FISCAL YEAR	SHEET NO.	TOTAL SHEETS
4	AL	RF.168R.1000	2001	55	101

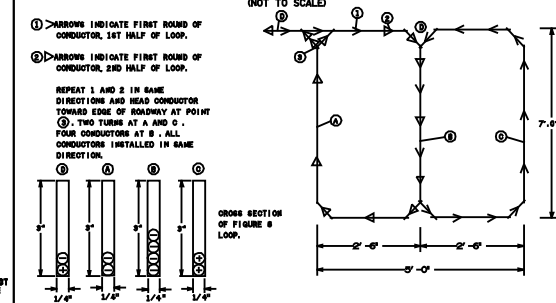
TERMINAL STRIP ENCLOSURE



SIX BY SIX LOOP



5'-0" BY 7'-0" FIGURE EIGHT LOOP



LEGEND

- — TERMINAL STRIP ENCLOSURE
- — LOOP DETECTOR (8'X8')
- — QUADRUPOLE LOOP DETECTOR (7'X8')
- ← — DIRECTIONAL TRAFFIC ARROW
- — — LOOP WIRE

<p>APPROVED FOR CONSTRUCTION</p> <p>DATE: _____</p> <p>BY: _____</p> <p>PROJECT NO. _____</p> <p>SHEET NO. _____</p> <p>TOTAL SHEETS _____</p>	<p>DETAILS OF VEHICLE DETECTOR</p> <p>INSTALLATION</p> <p>SPECIAL PROJECT DETAIL</p>
--	--