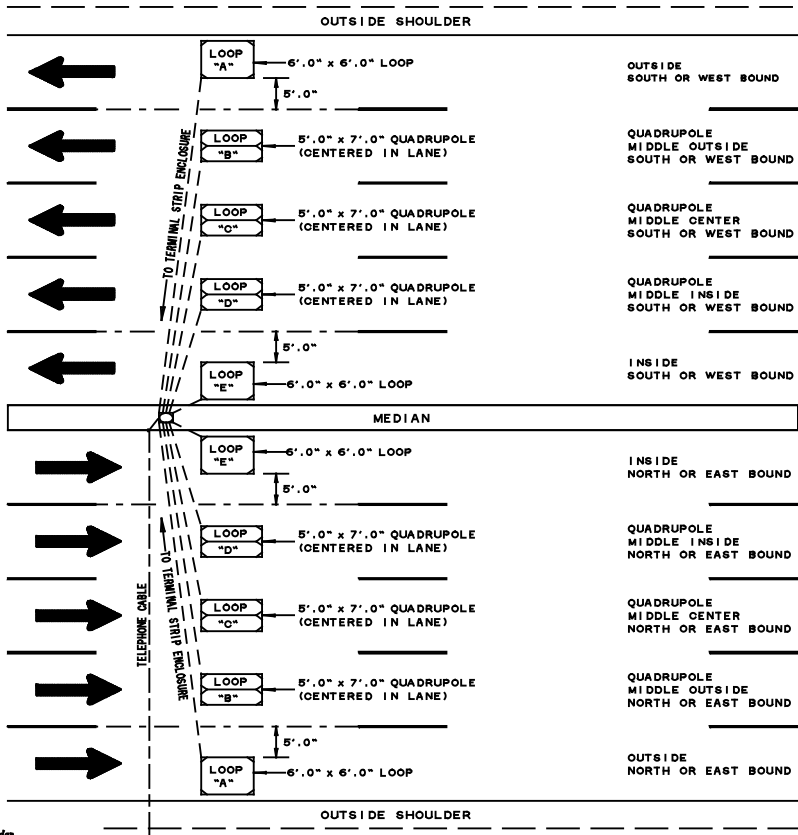


TEN LANE TYPE "F" INSTALLATION (MEDIAN TERMINATION)

FHWA REG. NO.	STATE	PROJECT NO.	FISCAL YEAR	SHEET NO.	TOTAL SHEETS



LEGEND	
	— TERMINAL STRIP ENCLOSURE
	— LOOP DETECTOR (6'X6')
	— QUADRUPOLE LOOP DETECTOR (5'X7')
	— DIRECTIONAL TRAFFIC ARROW
	— LOOP VIRES
	— TELEPHONE CABLE

—SPECIFICATIONS—

CURRENT ALABAMA DEPARTMENT OF TRANSPORTATION

<p>THIS DRAWING REPRESENTS DESIGNS PREPARED FOR USE BY THE ALABAMA DEPARTMENT OF TRANSPORTATION AND IS NOT TO BE COPIED, REPRODUCED, ALTERED, OR USED BY ANYONE, OR ANY ORGANIZATION, WITHOUT THE EXPRESSED WRITTEN CONSENT OF THE ALABAMA DEPARTMENT OF TRANSPORTATION REPRESENTATIVE AUTHORIZED TO APPROVE THIS USE. ANYONE MAKING UNAUTHORIZED USE OF THIS DRAWING MAY BE PROSECUTED TO THE FULLEST EXTENT OF THE LAW.</p>	
<p>Revised 2005 JES/AL/MS</p>	<p>ALABAMA DEPARTMENT OF TRANSPORTATION 1409 COLLEEN BOULEVARD MONTGOMERY, AL 36103-7000 PROJECT MANAGEMENT SPECIAL DRAWING</p>
<p>DRAWN BY: Norman Hobson CE</p>	<p>DETAILS OF VEHICULAR COUNTING DETECTORS</p>
<p>DATE DRAWN: 02/01/05</p>	<p>SPECIAL PROJECT DETAIL</p>

2/1/05/ep/ep

DRAWING NOT TO SCALE