

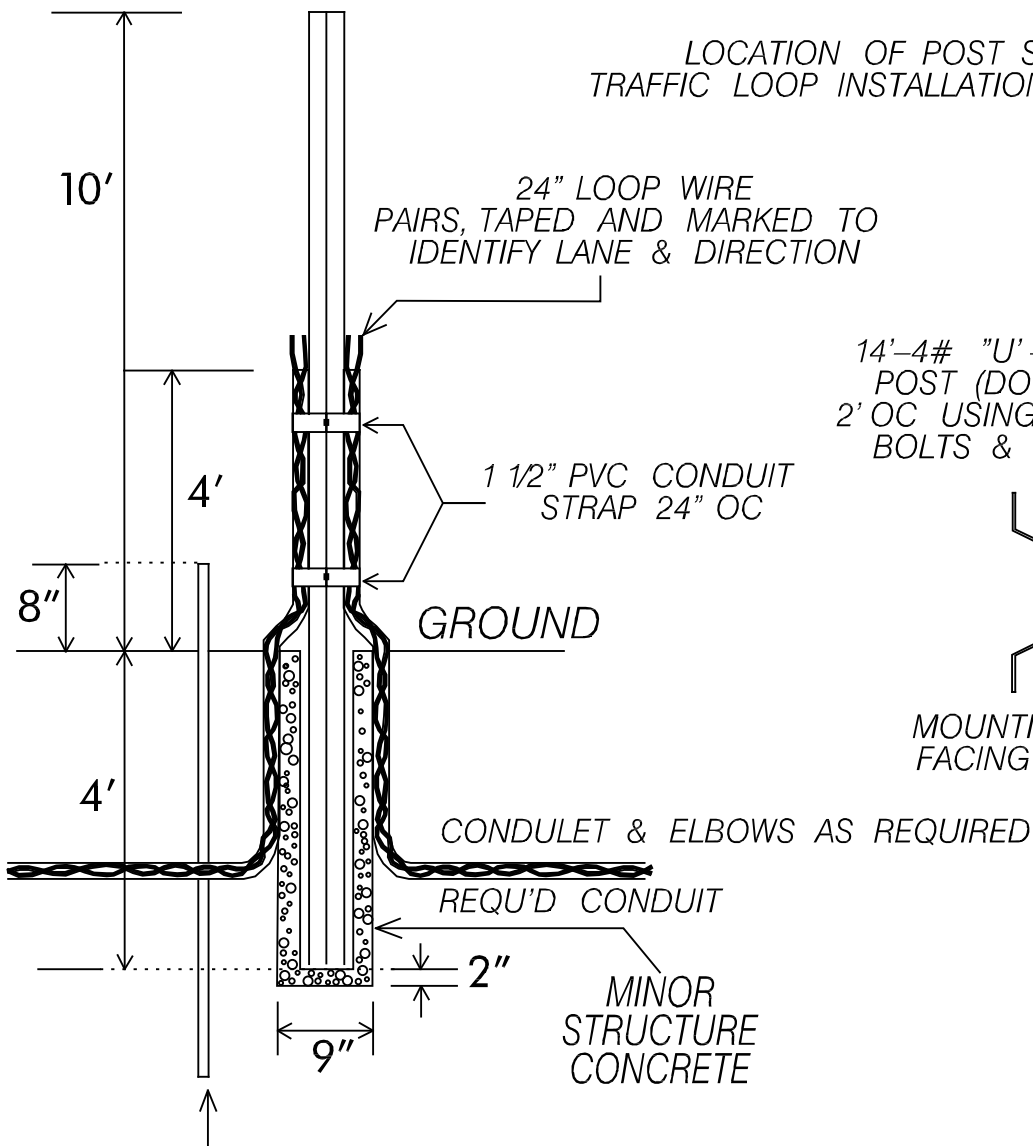
FEDERAL REGION NO.	STATE	PROJECT NUMBER	FISCAL YEAR	SHEET NO.	TOTAL SHEETS
4	AL.				

DETAILS OF ATR CABINET POST

ALABAMA DEPARTMENT OF TRANSPORTATION
TO FURNISH & INSTALL CABINET

14'-4# "U" - CHANNEL SIGN
POST (DOUBLED) IN CONCRETE

LOCATION OF POST SHOWN ON
TRAFFIC LOOP INSTALLATION LAYOUT SHEET



14'-4# "U" - CHANNEL SIGN
POST (DOUBLED), BOLTED
2' OC USING 5/16 GALVANIZED
BOLTS & LOCK WASHERS



MOUNTING SURFACES
FACING TRAFFIC FLOW

EDGE OF ROAD
DETAIL SAME AS
TERMINAL STRIP
ENCLOSURES

3/4" X 8' SOLID COPPER GROUND ROD
GROUND ROD CLAMP (BURNDY GRD-58 OR APPROVED EQUAL)
#4 GA. SOLID COPPER GROUND WIRE

DRAWING NOT TO SCALE